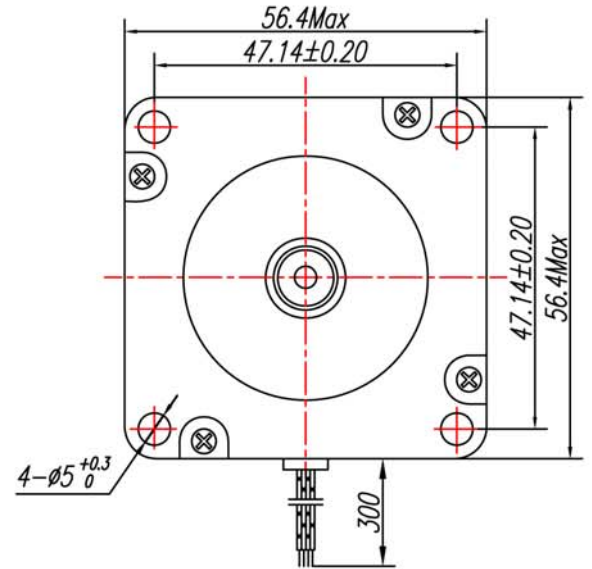
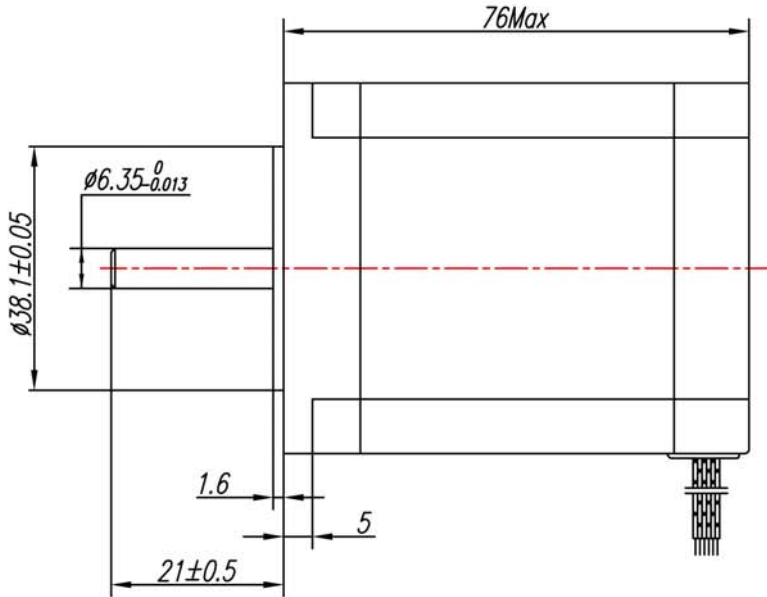


@Quick CNC

200 oz-in Unipolar 5 Wire Stepper Motor

Dimensions



All dimensions in mm

PHASE	4	PHASE	Unipolar Connection
STEP ANGLE	$1.8 \pm 5\%$	$^{\circ}/STEP$	<p>Black to A+ Green to A- Red to B+ Blue to B- Yellow to COM</p>
VOLTAGE	3.0	V	
CURRENT	3.0	A/PHASE	
RESISTANCE	$1.0 \pm 10\%$	$\Omega/PHASE$	
INDUCTANCE	$1.8 \pm 20\%$	mH/PHASE	
HOLDING TORQUE	140	N.cm Min	
DETENT TORQUE	6.0	N.cm Max	
INSULATION CLASS	B		
LEAD STYLE	AWG22	UL1007	