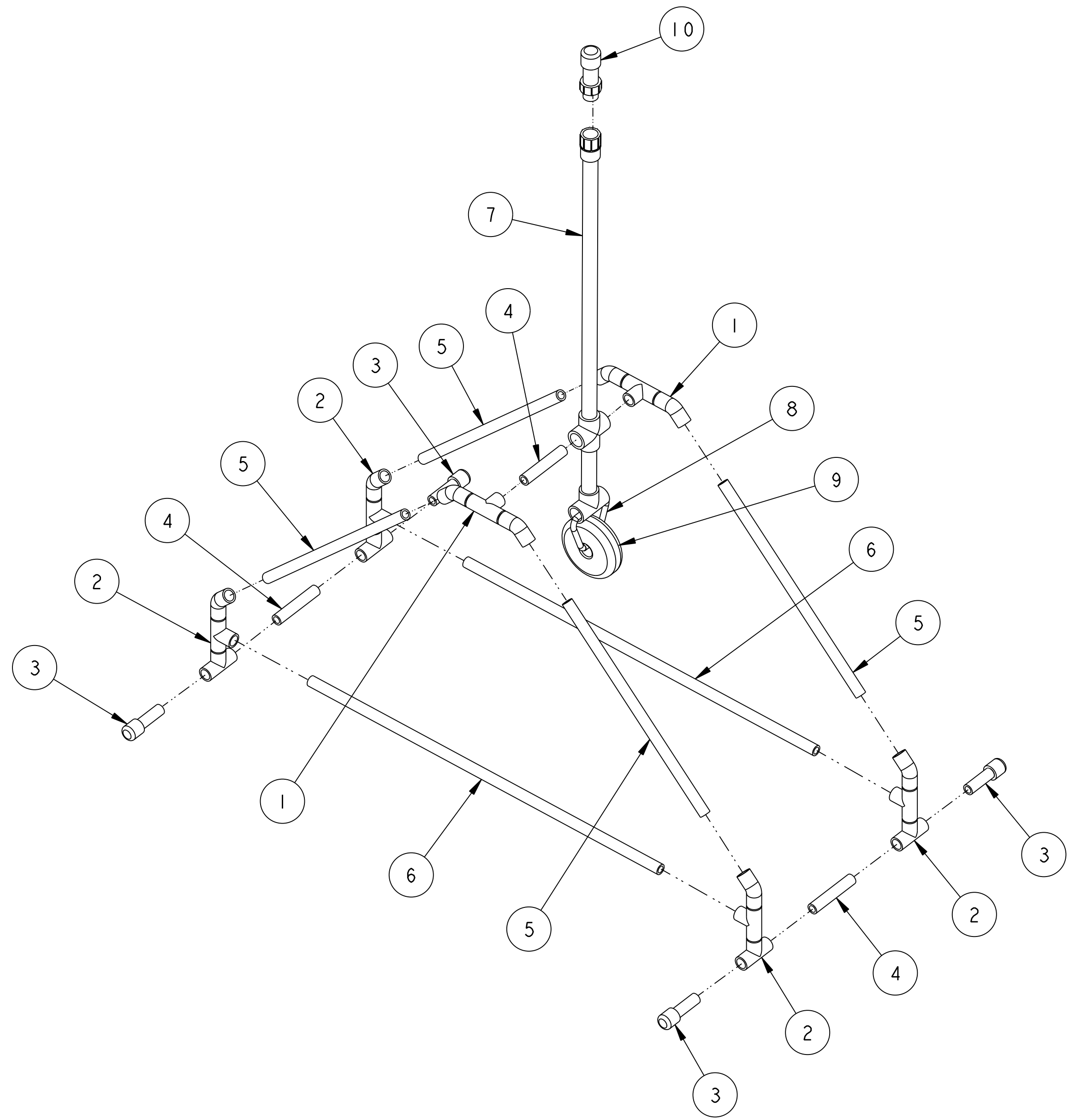
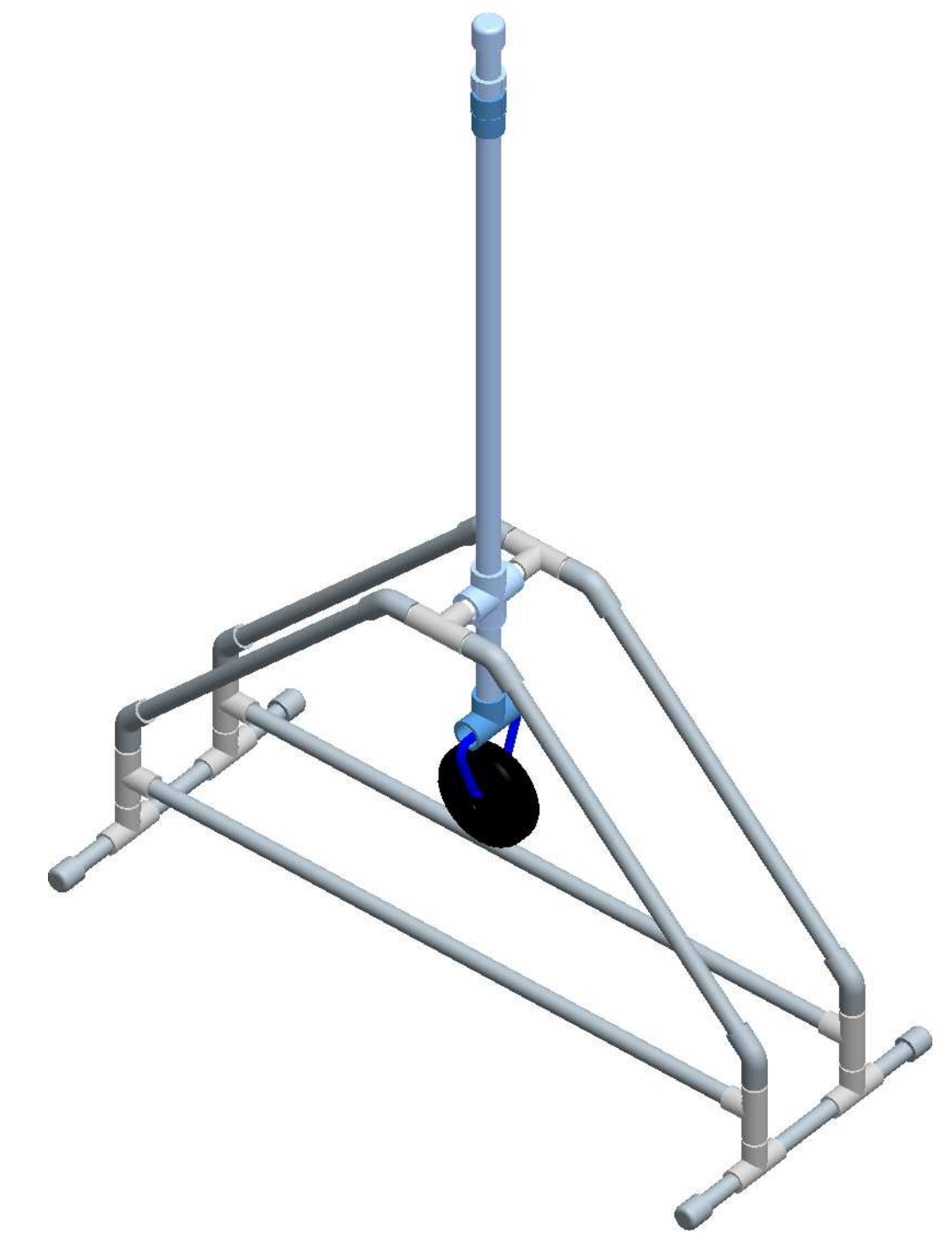


PARENTHETIC IDENTITIES ARE FOR REFERENCE ONLY

SHEETS AFFECTED BY REVISION					REVISIONS				
5	4	3	2	1	SHEET NO.	ZONE REV	DESCRIPTION	DATE	APPROVED
					LATEST REV SYM	-	DRAWING RELEASED		



EXPLODED VIEW

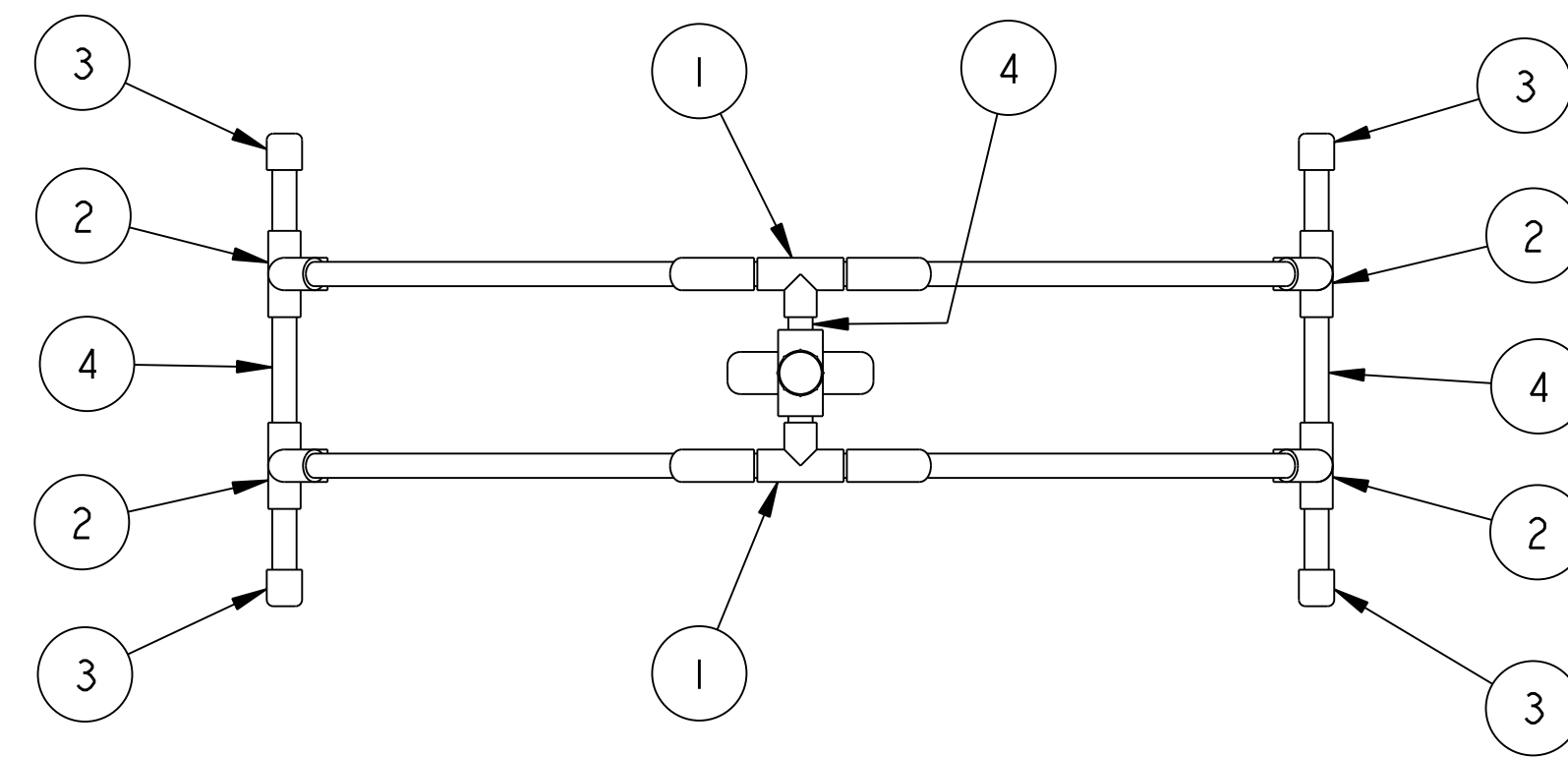


QTY REQD	U OF M	CAGE CODE	PART OR IDENTIFYING NO.	DESCRIPTION	GOVT OR COML SPEC	MFR/NPP	NOTES/REMARKS	FIND NO.
1	EA			ARM, LAUNCHER, END CAP				10
1	EA			WEIGHT				9
1	EA			ROPE				8
1	EA			ARM, LAUNCHER				7
2	EA			PVC PIPE 1/2 INCH DIA. X 30.00 LG.				6
4	EA			PVC PIPE 1/2 INCH DIA. X 17.00 LG.				5
3	EA			PVC PIPE 1/2 INCH DIA. X 4.00 LG.				4
4	EA			FRAME, END CAP				3
4	EA			FRAME, JOINT, LOWER				2
2	EA			FRAME, JOINT, UPPER				1

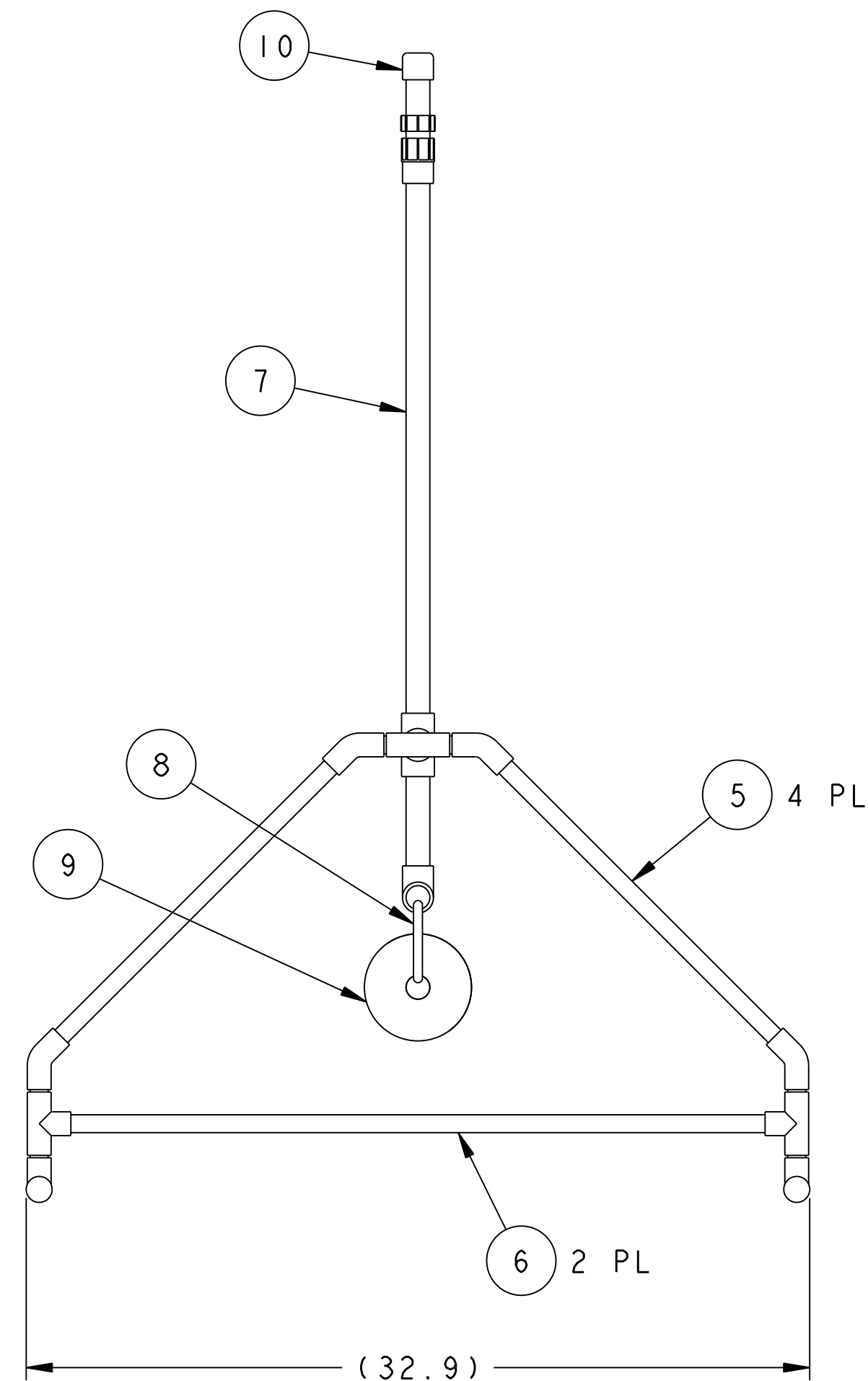
COMPUTER GENERATED DOCUMENT
MANUAL CHANGES NOT ALLOWED

PARTS LIST				CONTRACT NUMBER		ORIGINAL DATE OF DWG		TITLE			
INTERPRET DIMENSIONS AND TOLERANCES IAW ANSI Y14.5M 1982 UNLESS OTHERWISE SPECIFIED DIMENSIONS ARE IN INCHES DO NOT SCALE TOLERANCES ON DEC				-		-		NORTHROP GRUMMAN CORPORATION SYKESVILLE, MD 21784-5101			
2 PLACE	3 PLACE	ANGLES		DRAFTSMAN	APPD	TREBUCHET, PVC, ASSEMBLY					
±.02	±.005	±.5°		CHECKER	APPD						
NEXT ASSY		USED ON		APPD	APPD						
APPLICATION				DESIGN ACTIVITY APPROVAL		PROCURING ACTIVITY APPROVAL		SIZE	CAGE CODE	DWG NO.	REV
				-		-		D 04804	TREBUCHET01		01
				INTERPRET DRAWING IN ACCORDANCE WITH DOD-STD-100		-		SCALE: 1/8	CALC. WT.	SHEET 1 OF 2	

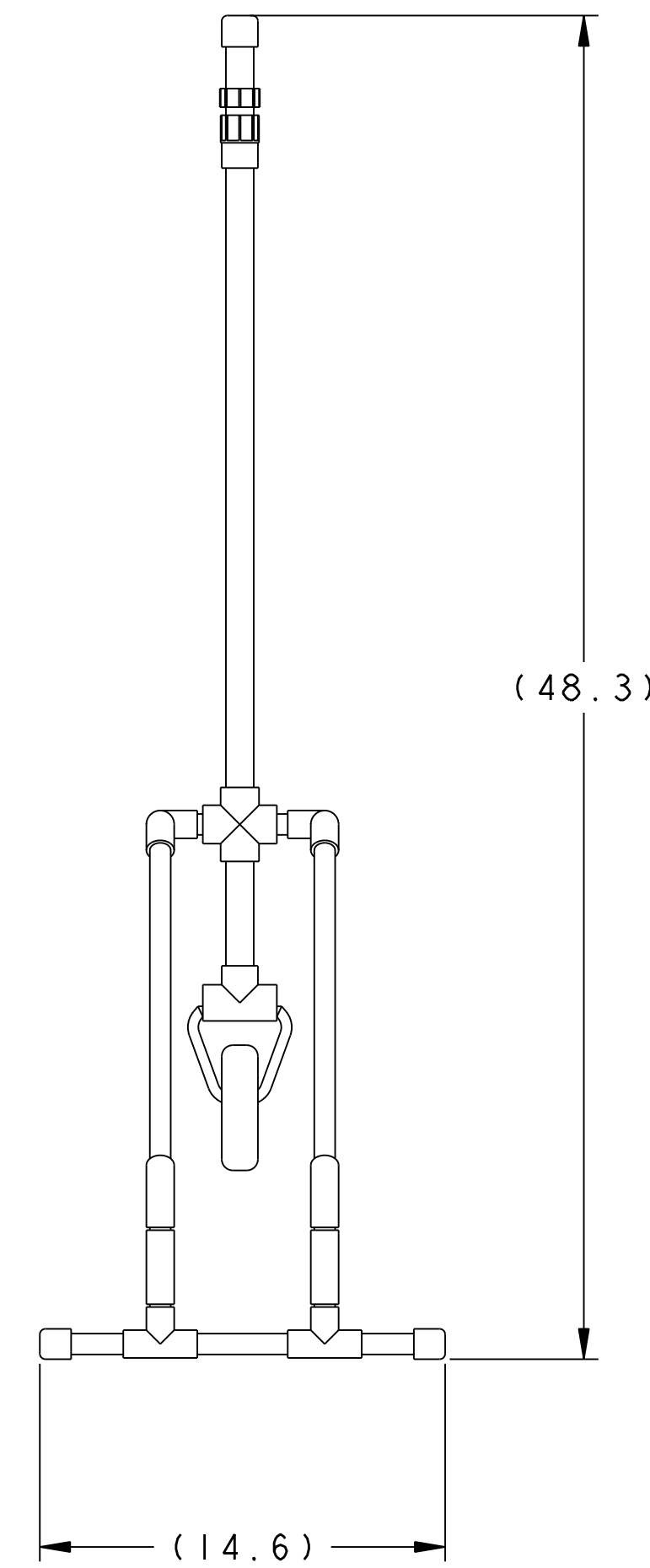
REVISIONS				
ZONE	REV	DESCRIPTION	DATE	APPROVED
	-	DRAWING RELEASED		



TOP VIEW



FRONT VIEW



SIDE VIEW

COMPUTER GENERATED DOCUMENT
MANUAL CHANGES NOT ALLOWED

SIZE	CAGE CODE	DWG NO.	REV
D	04804	TREBUCHET01	01
SCALE: 1/8		SHEET 2	