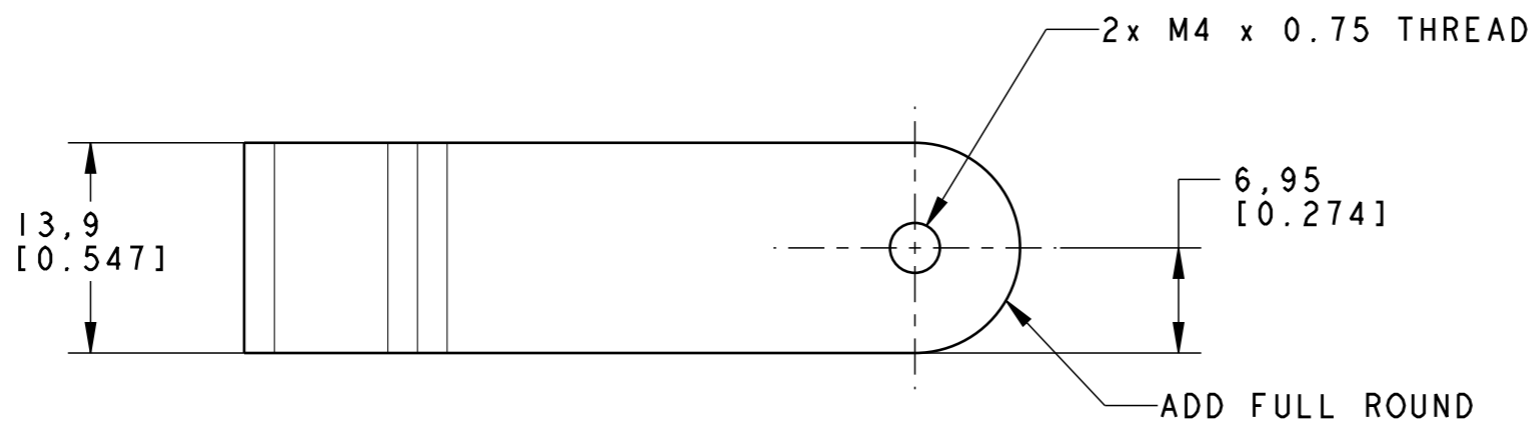
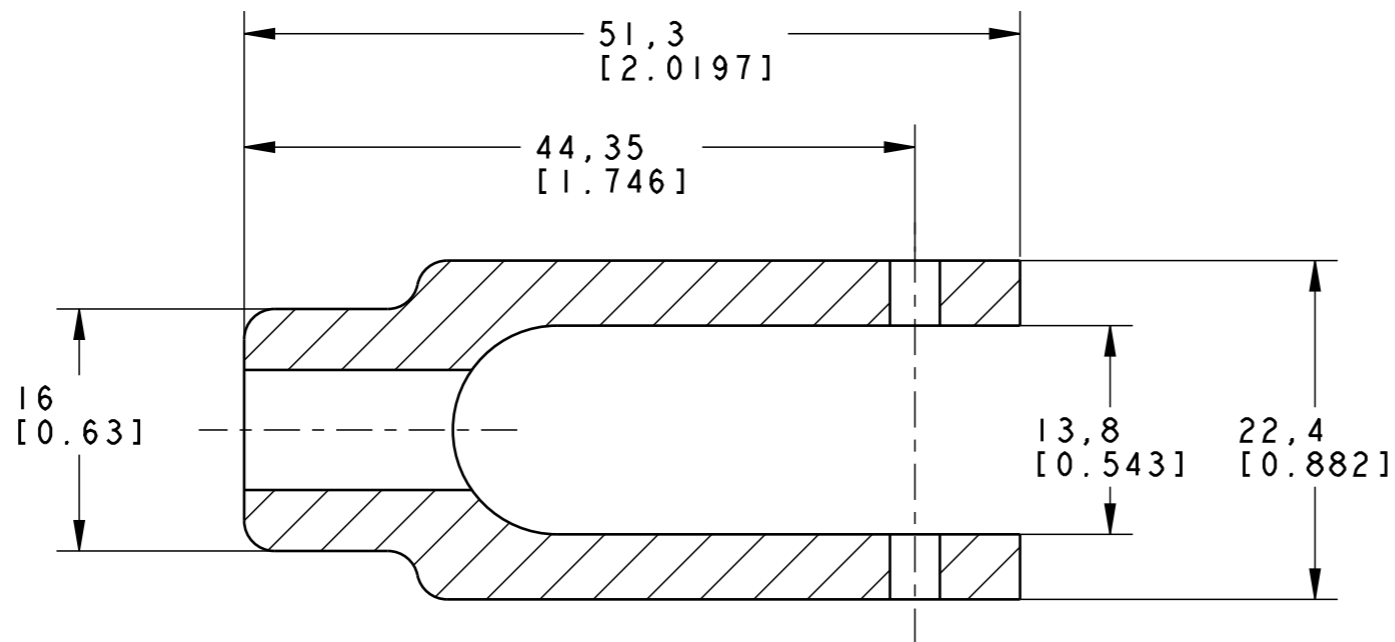


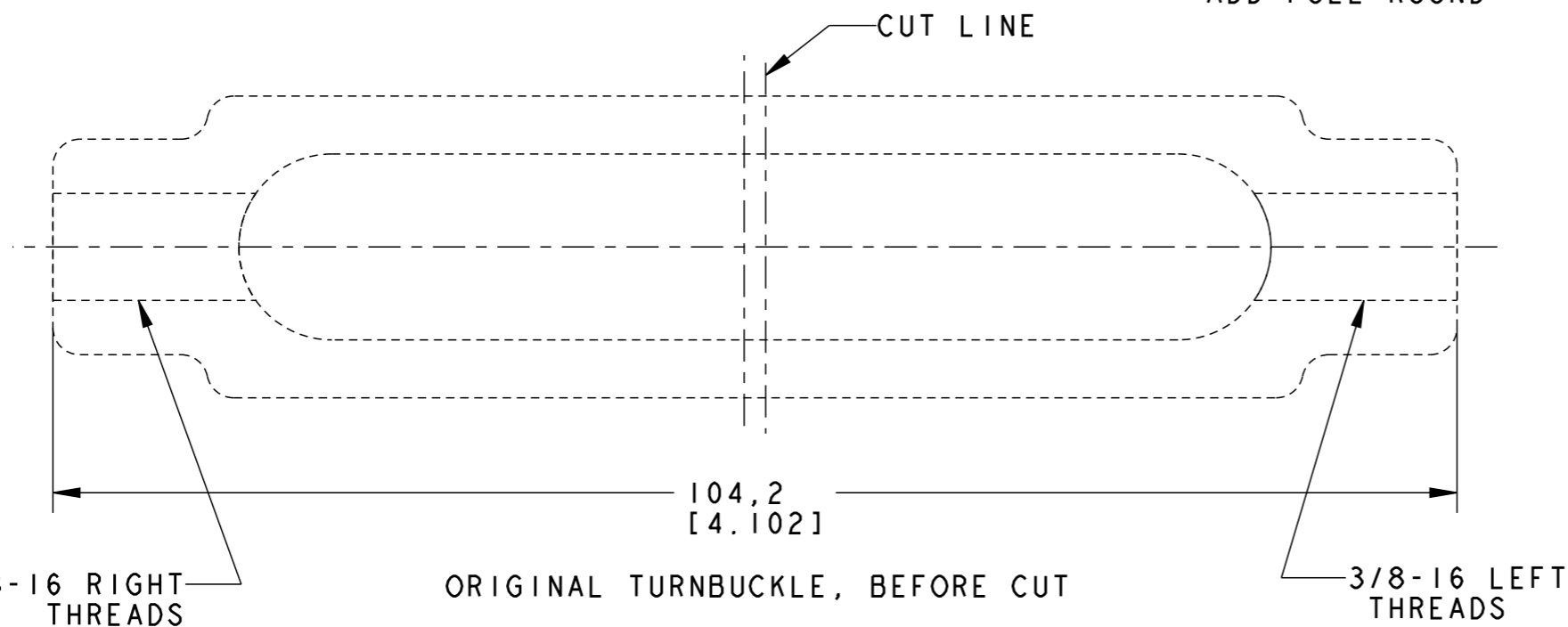
PART NO.

# THREADED BLOCK



NOTES:

1. CUT TURNBUCKLE IN HALF
2. ROUND THE SHARP EDGES
3. DRILL AND TAP M4 THREADS

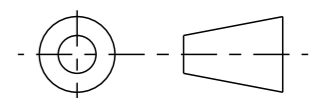


DIMENSIONS ARE IN MILLIMETERS U.O.S.

FROM 0.5 UP TO 3	OVER 3 UP TO 6	OVER 6 UP TO 30	OVER 30 UP TO 120	OVER 120 UP TO 400	OVER 400 UP TO 2000
±0.1	±0.1	±0.2	±0.3	±0.5	±0.8

**na**  
ENGINEERING

THIRD ANGLE PROJECTION



DR NAGY A	07FE12	MATERIAL	SCALE
CK NAGY A	07FE12	3/8-16 TURNBUCKEL BODY	2.0

TRUING STAND

PART NO.

# THREADED BLOCK

ORG  
SIZE  
**A3**