

**Note:**

material thickness: 15mm

M5 (metric thread) / drill hole 4mm

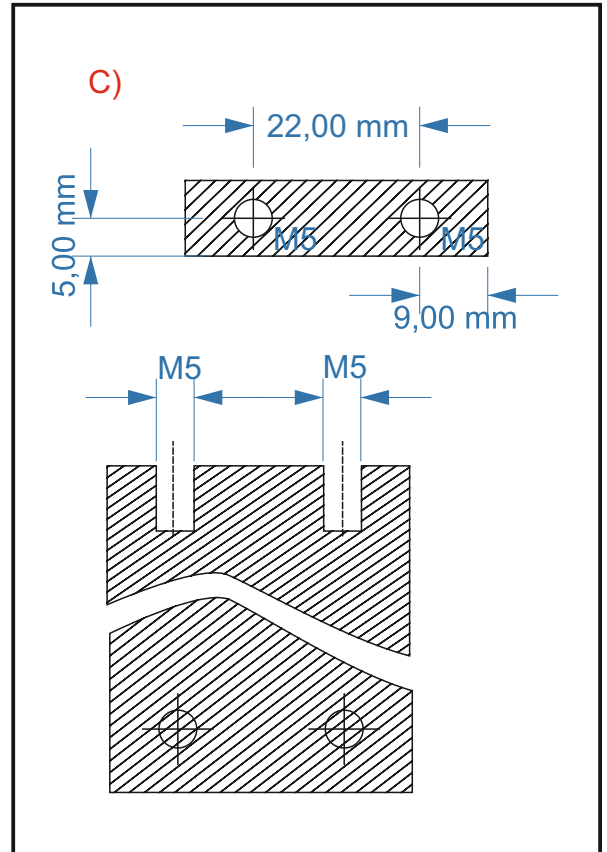
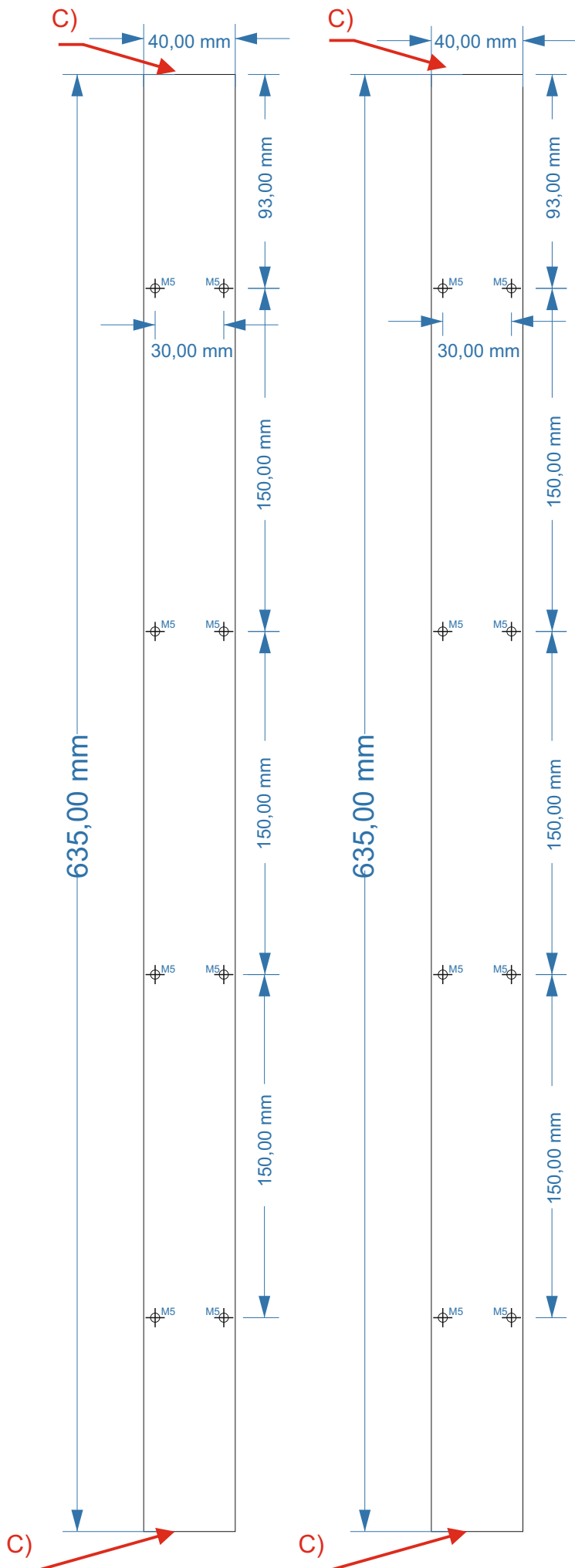
**SIDE PANELS**

**Material:** ALU EN AW 6082 T6

**Drawn:** Martin Dvoršćák

**Date:** 3/2016

**SHEET:** 1/2



**Note:**  
 material thickness: 10mm  
 M5 (metric thread) / drill hole 4mm

## SIDE PANELS

**Material:** ALU EN AW 6082 T6

**Drawn:** Martin Dvoršćák

**Date:** 3/2016

**SHEET:** 2/2