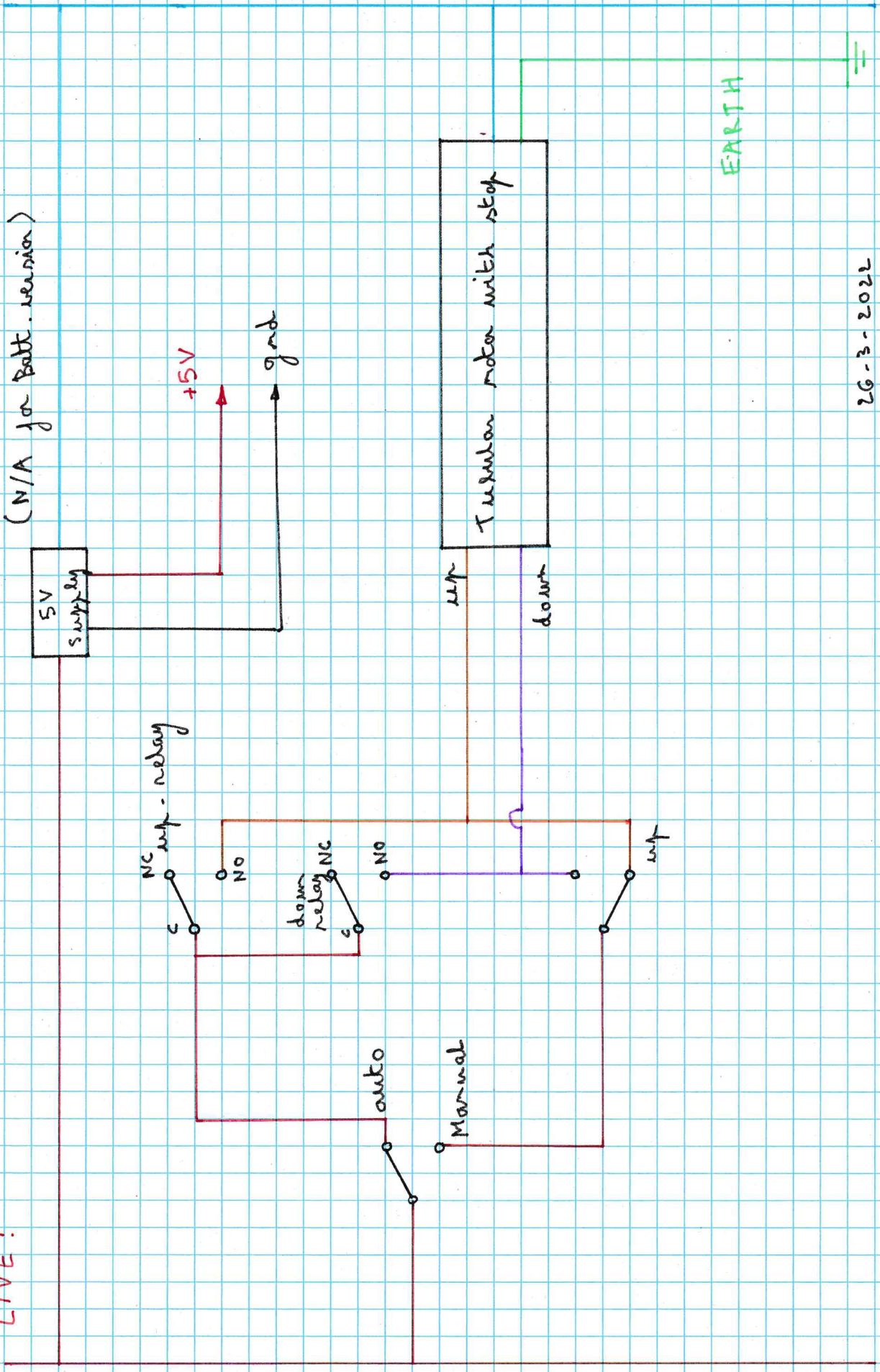


LIVE!

NEUTRAL



(N/A for Battt. version)

5V supply

+5V

gnd

Tuskulan motor with stop

up

down

NC up-relay

NO

down relay NC

NO

auto

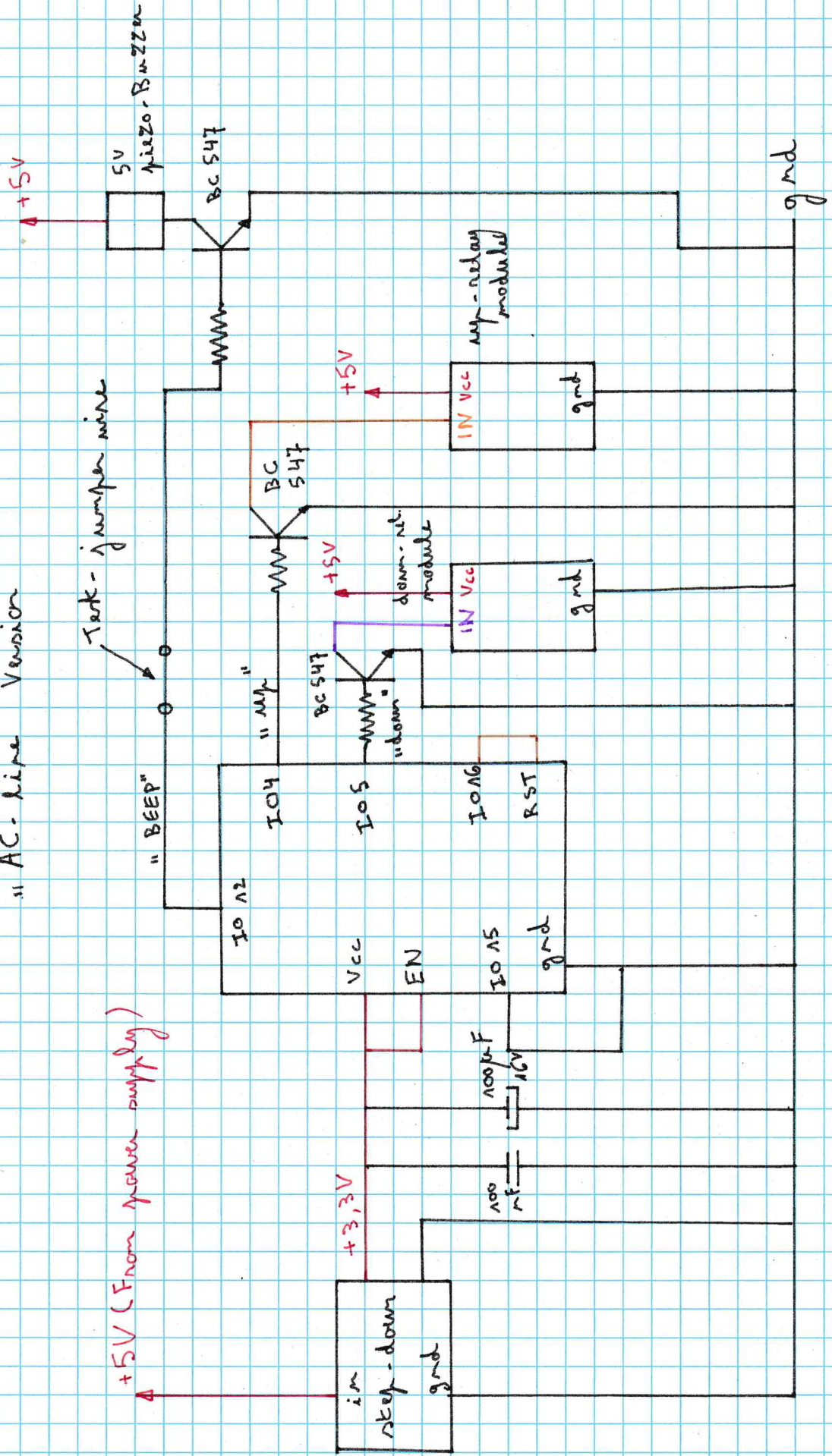
Manual

up

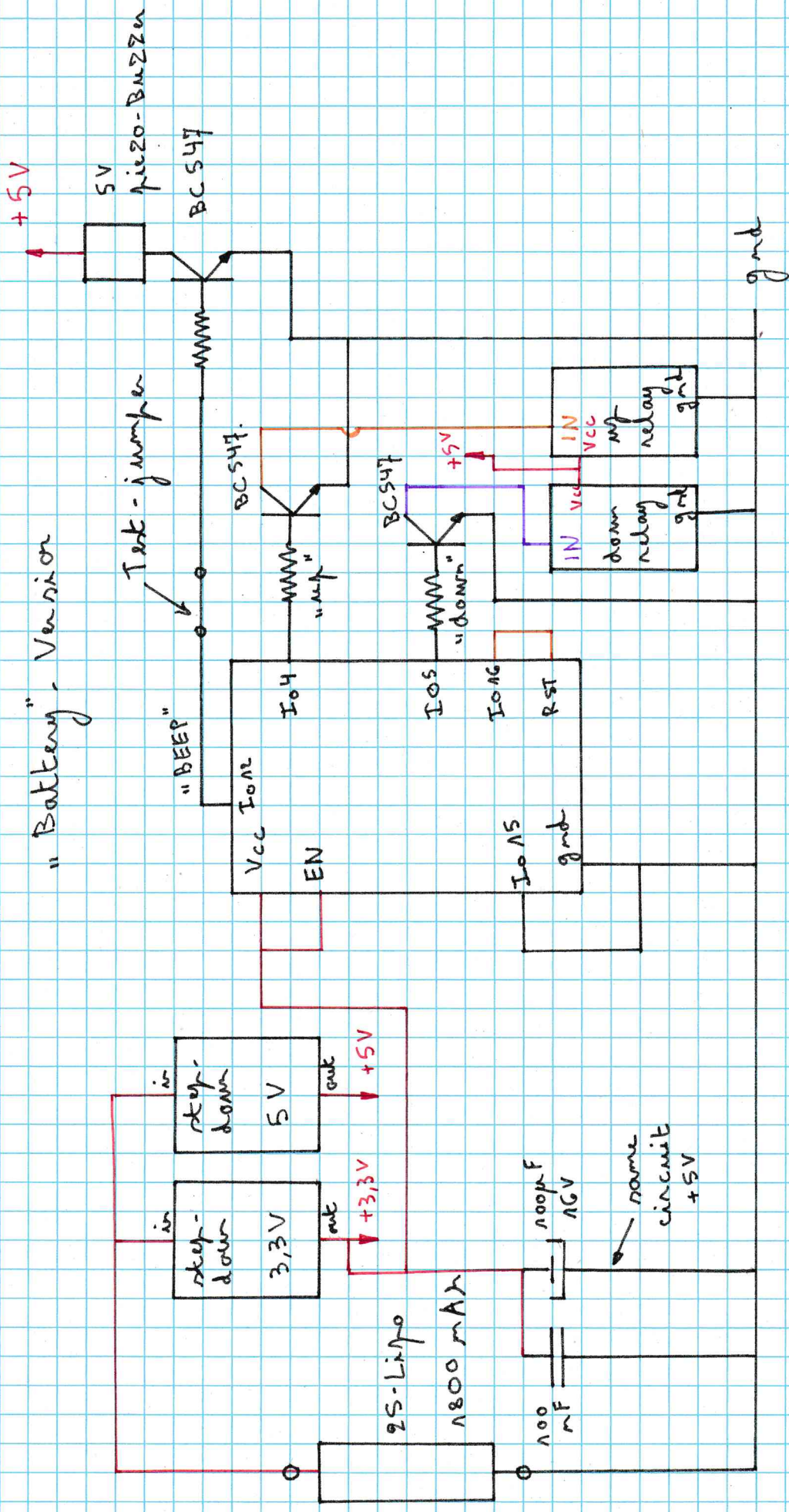
EARTH

26-3-2022

"AC-line" Version



27-3-2022



"Battery" - Version