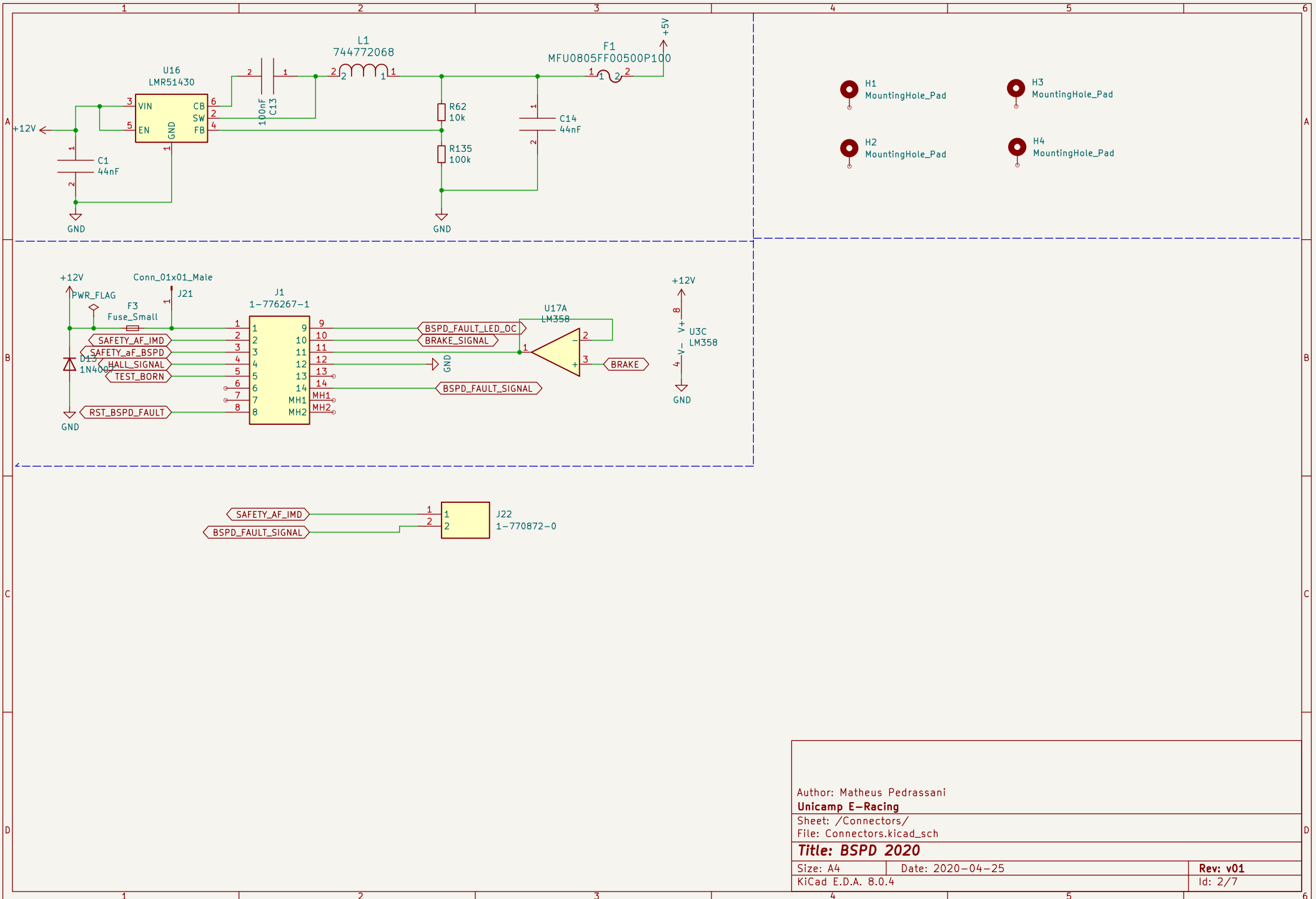


	1	2	3	4	5	6
A						
B						
C	<p>Connectors</p> <p>Arquivo: Connectors.kicad_sch</p>	<p>Sheet5EA4961E</p> <p>Arquivo: Comparators.kicad_sch</p>	<p>Logica_Gates</p> <p>Arquivo: Logica_Gates.kicad_sch</p>	<p>Timer_Delay</p> <p>Arquivo: Timer_Delay.kicad_sch</p>	<p>Relays</p> <p>Arquivo: Relays.kicad_sch</p>	<p>LEDs</p> <p>Arquivo: LEDs.kicad_sch</p>
D	<p>Author: Matheus Pedrassani</p> <p>Unicamp E-Racing</p> <p>Sheet: /</p> <p>File: bspd-v02.kicad_sch</p> <p>Title: BSPD 2020</p>					<p>Size: A4</p> <p>KiCad E.D.A. 8.0.4</p>
				<p>Date: 2020-04-25</p>	<p>Rev: v01</p>	<p>Id: 1/7</p>
	1	2	3	4	5	6



Author: Matheus Pedrassani
 Unicamp E-Racing

Sheet: /Connectors/
 File: Connectors.kicad_sch

Title: BSPD 2020

Size: A4 Date: 2020-04-25
 KiCad E.D.A. 8.0.4

Rev: v01
 Id: 2/7



Author: Matheus Pedrassani

Unicamp E-Racing

Sheet: /LEDs/

File: LEDs.kicad_sch

Title: BSPD 2020

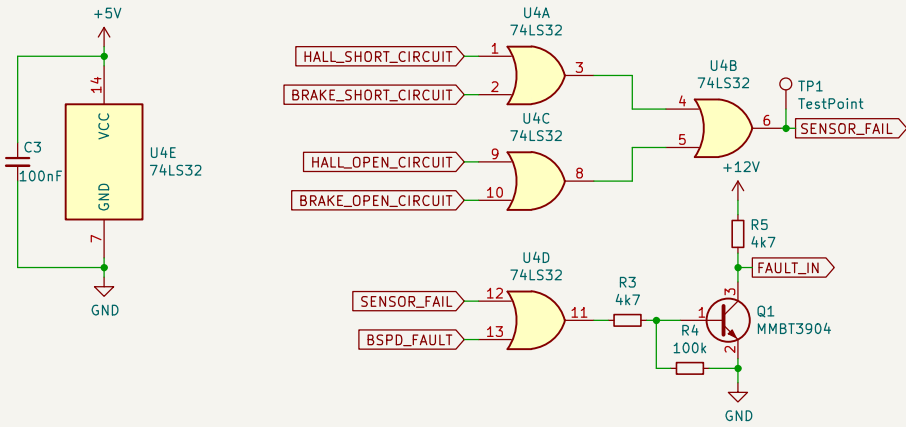
Size: A4

Date: 2020-04-25

Rev: v01

KiCad E.D.A. 8.0.4

Id: 3/7

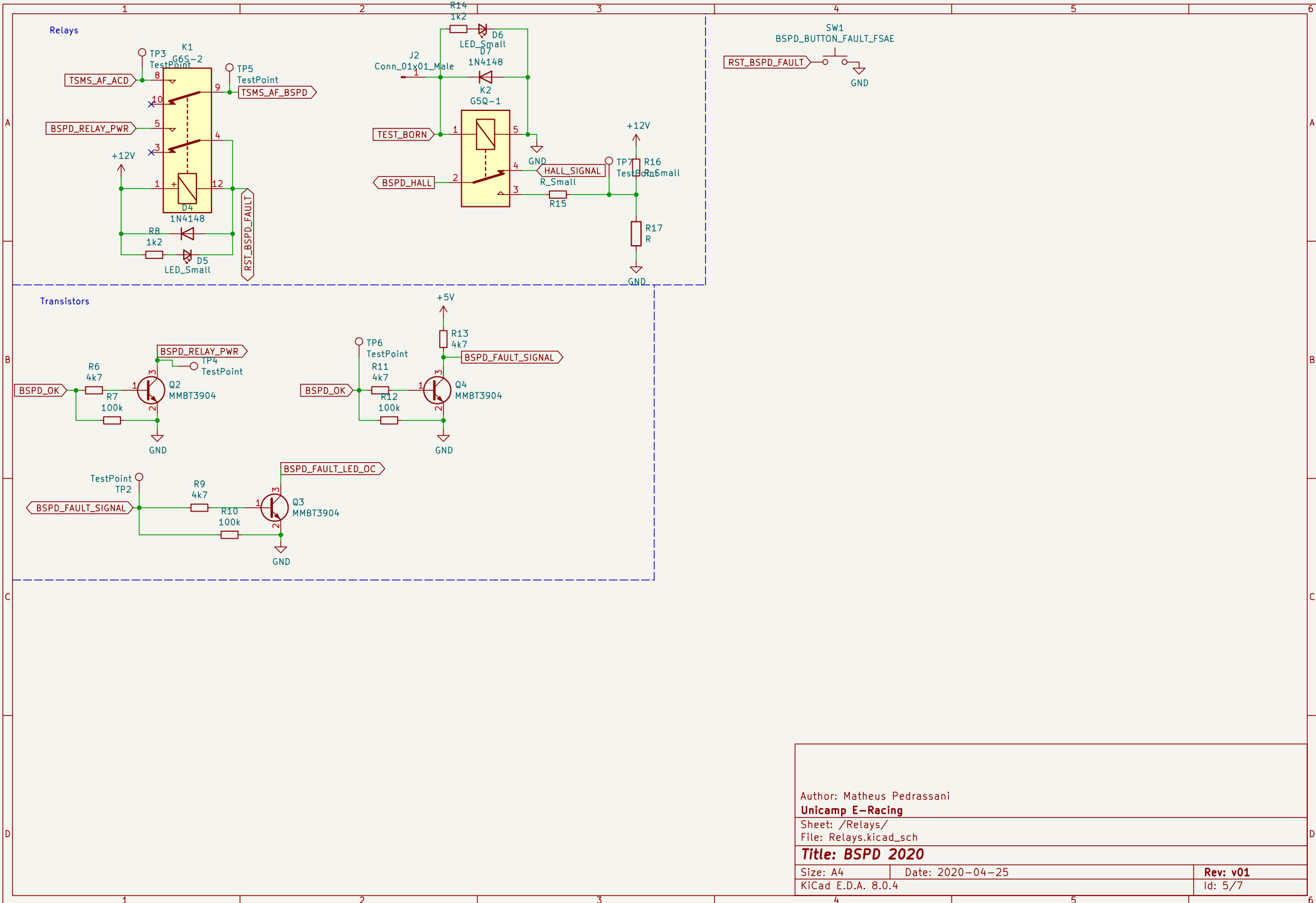


Author: Matheus Pedrassani
 Unicamp E-Racing
 Sheet: /Logical_Gates/
 File: Logical_Gates.kicad_sch

Title: BSPD 2020

Size: A4 Date: 2020-04-25
 KiCad E.D.A. 8.0.4

Rev: v01
 Id: 4/7



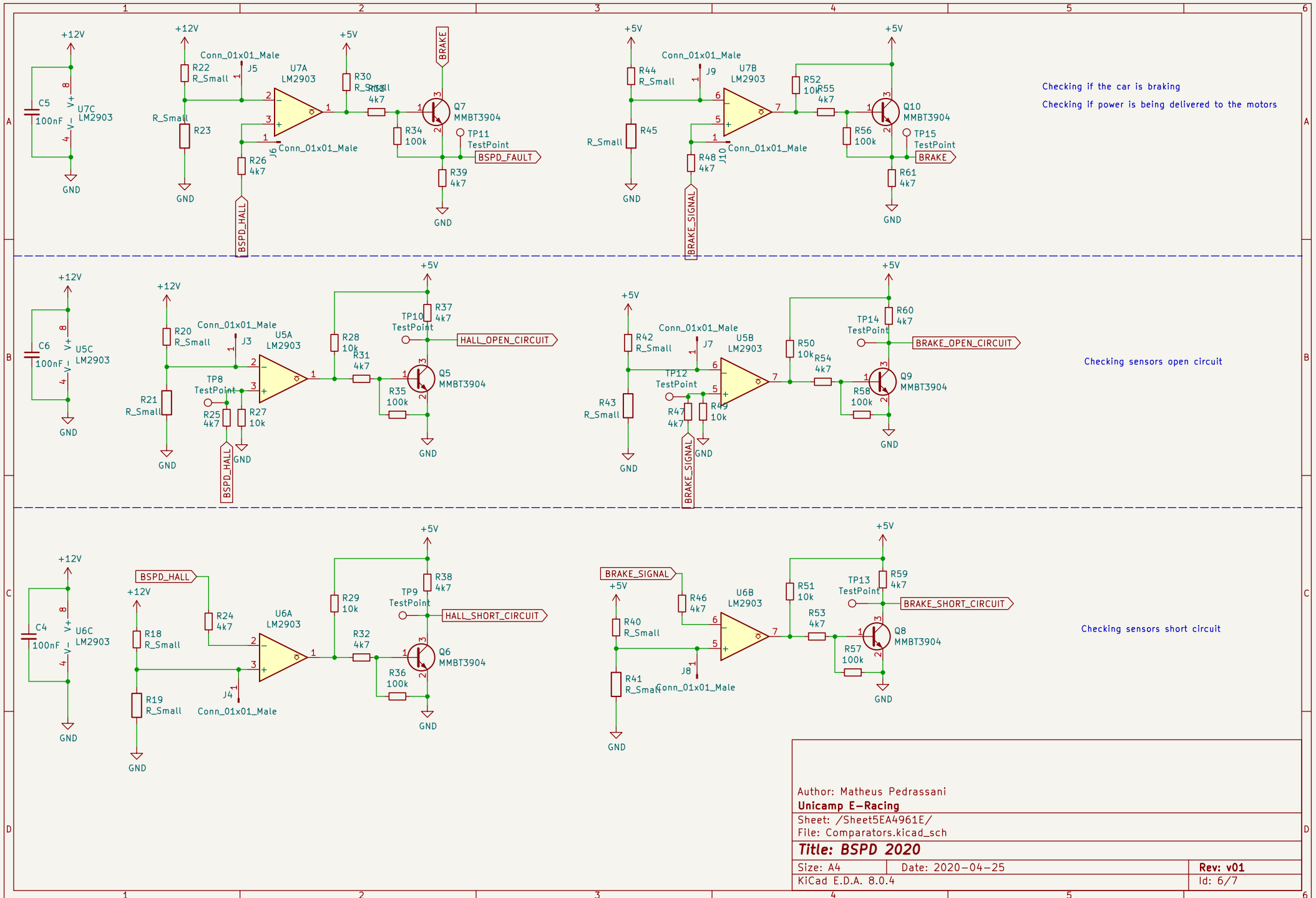
Author: Matheus Pedrassani
Unicamp E-Racing

Sheet: /Relays/
 File: Relays.kicad_sch

Title: BSPD 2020

Size: A4 | Date: 2020-04-25
 KiCad E.D.A. 8.0.4

Rev: v01
 Id: 5/7



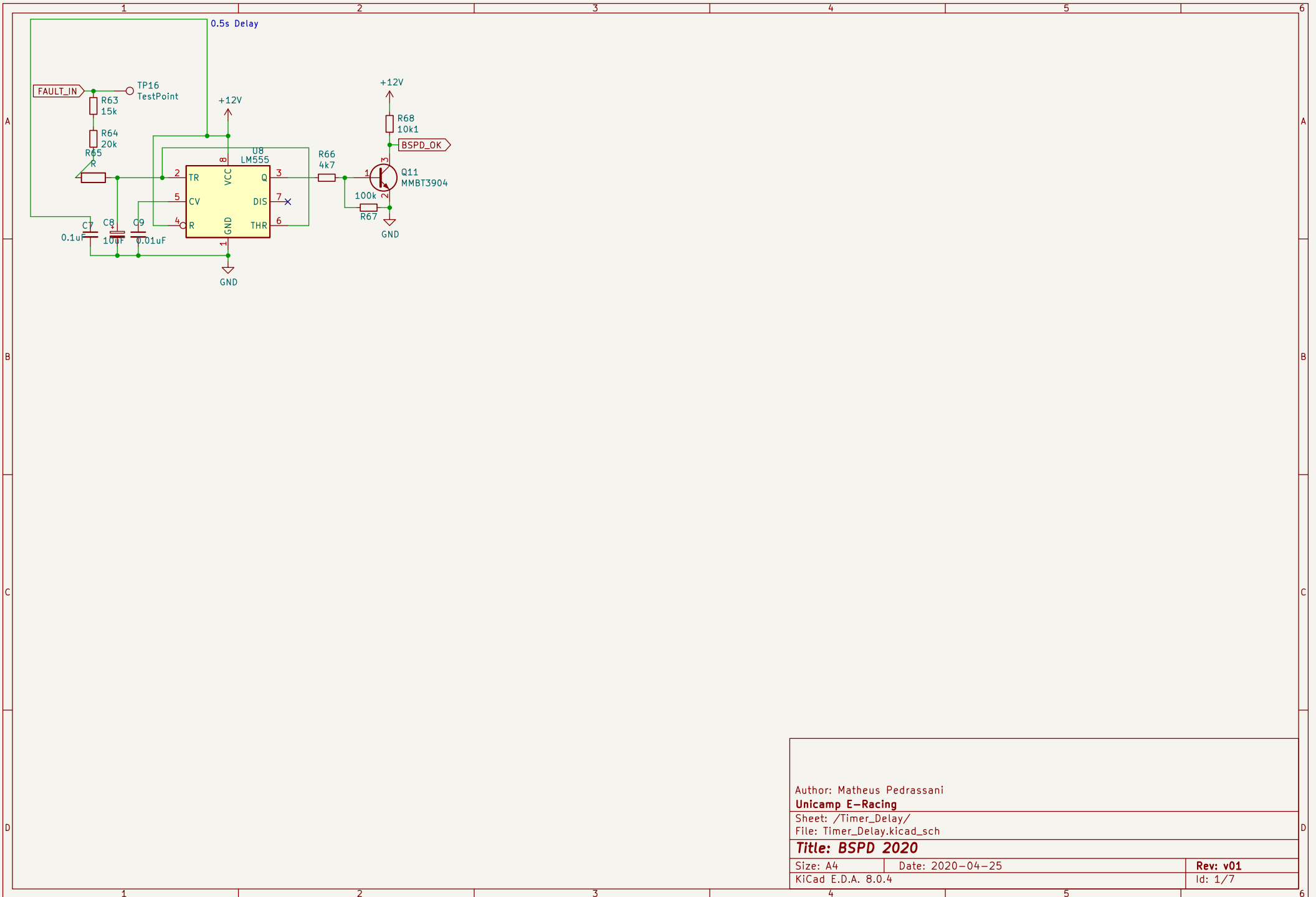
Checking if the car is braking
 Checking if power is being delivered to the motors

Checking sensors open circuit

Checking sensors short circuit

Author: Matheus Pedrassani
 Unicamp E-Racing
 Sheet: /Sheet5EA4961E/
 File: Comparators.kicad_sch

Title: BSPD 2020	
Size: A4	Date: 2020-04-25
KiCad E.D.A. 8.0.4	Rev: v01 Id: 6/7



Author: Matheus Pedrassani

Unicamp E-Racing

Sheet: /Timer_Delay/

File: Timer_Delay.kicad_sch

Title: BSPD 2020

Size: A4

Date: 2020-04-25

Rev: v01

KiCad E.D.A. 8.0.4

Id: 1/7