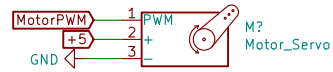
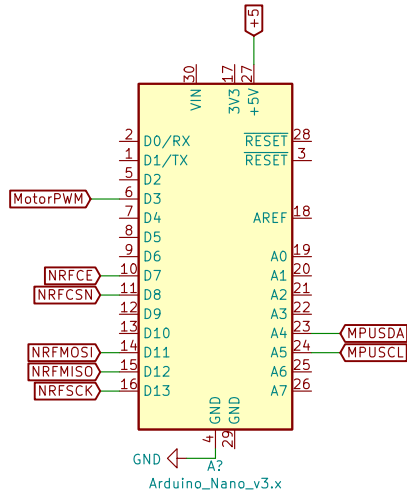
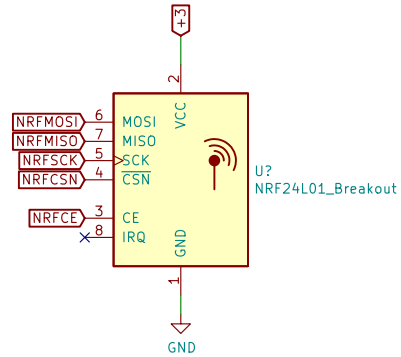
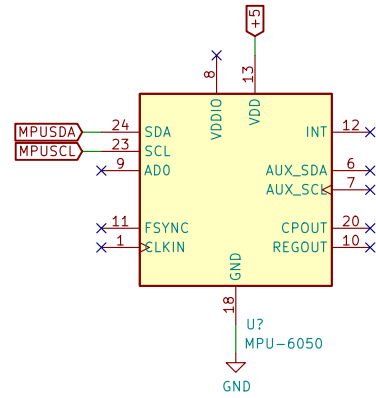


$$V_o \approx 1.25 (1 + R_2/R_1)$$



Check if the module uses 5V or 3V



Sheet: /
File: rocket.sch

Title:

Size: A4
KiCad E.D.A. kicad (5.1.10)-1

Date:
Rev:
Id: 1/1