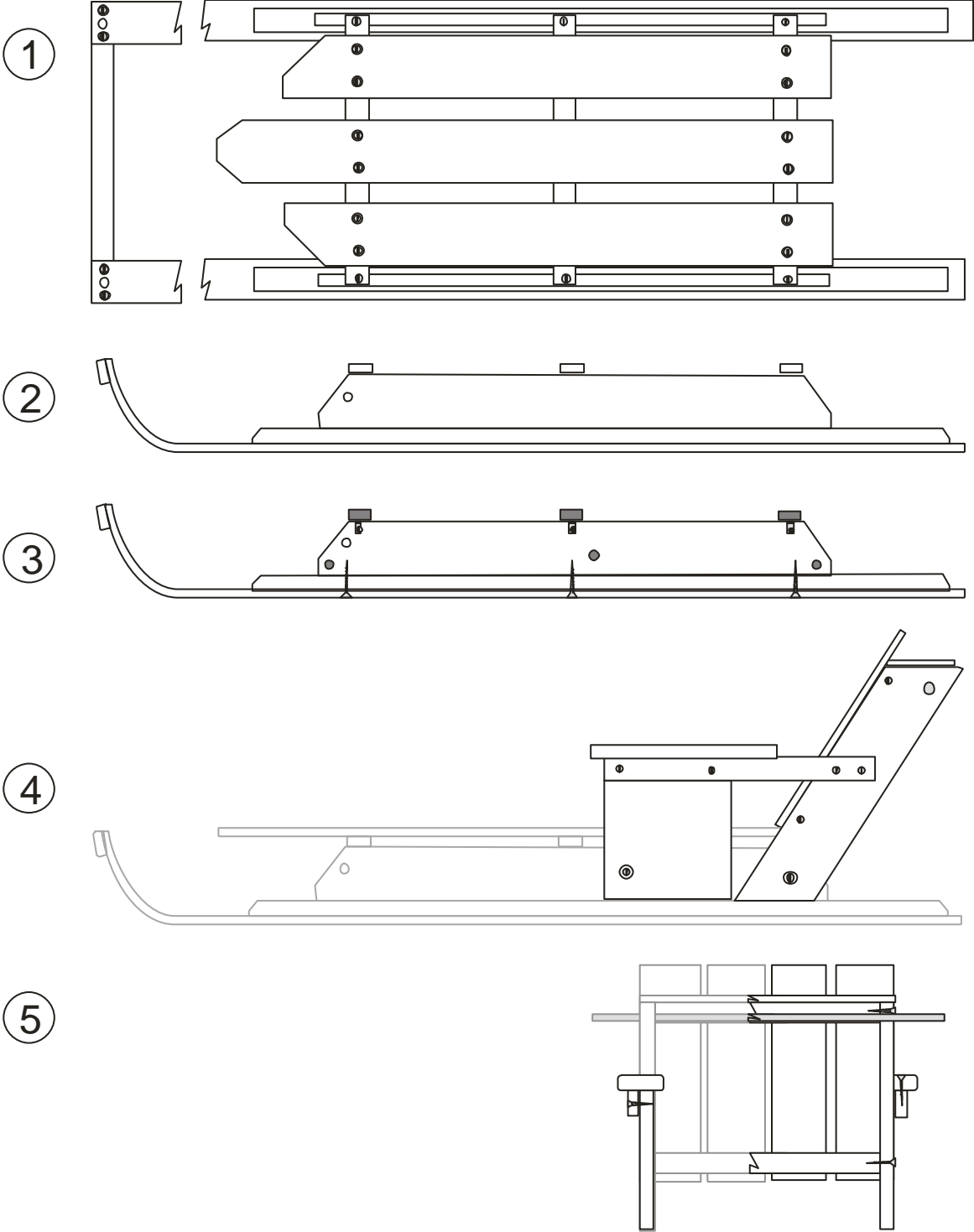


Convertible Childs Oak Sled – Simple Design / Basic Tools

Overview: I was looking for a Christmas present for my 16 month old god daughter. I decided homemade would be the way to go so I looked online for plans, all were either too fancy or too simple. So I figured I would go with the “Seat of my pants” approach and wing it!



Materials:

2 pieces - ½" x 36" Round Wood Dowel
2 pieces - 1" x 1/8" x 36" Aluminum Flat Stock (Runner Skids)
2 pieces - 2 ½" x ¼" x 48" Oak (Skis)
3 pieces - 4" x ¼" x 48" Oak (Deck)
5 pieces - 1 ½" x ½" x 48" Oak (Braces)
2 pieces - 4" x ¾" x 36" Oak (Risers)
1 piece - 1" x 1" x 36" Oak (Seat Back Support)
1 piece - 5 ½" x ½" x 36" Oak (Seat Side Support)
1 piece - 4" x ½" x 36" Oak (Angle Seat Side Support)

6 - Brass "L" brackets
¾" Brass Screws
1" Brass Screws
Brass Finishing Washers
8 - Wing Nuts
6 - Stainless Washers
8ft - Natural Braided Rope

Wood Glue
Varnish
Trim Paint