

4

3

2

1

D

D

C

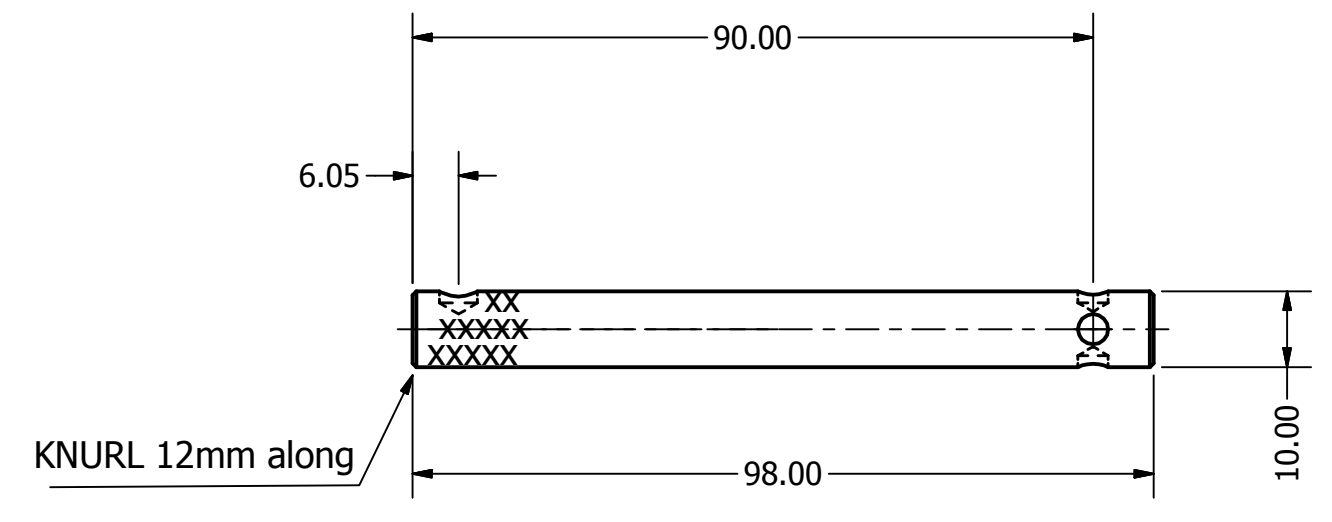
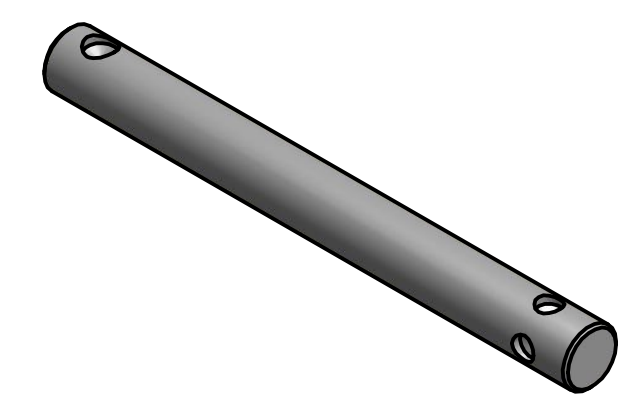
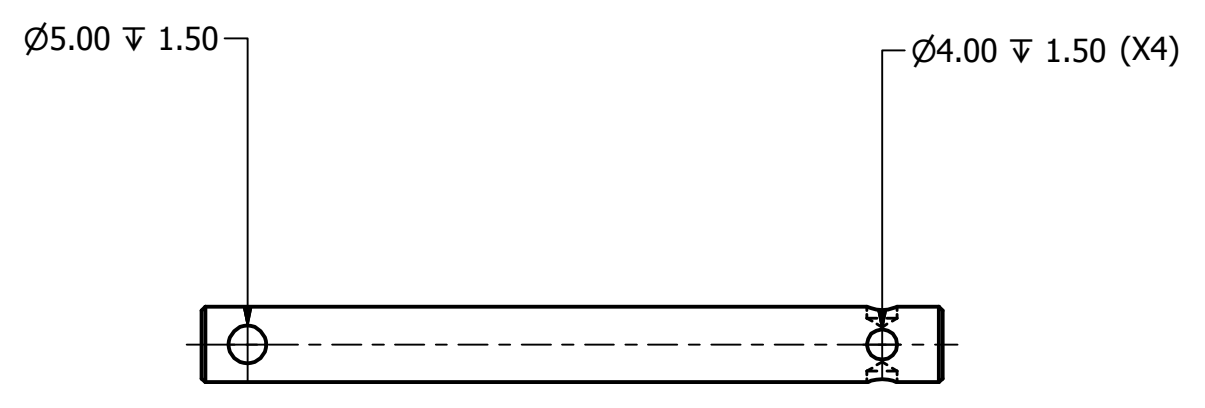
C

B

B

A

A



NOTE

All Dimensions in MM

DRAWN me	06/04/2015	MATERIAL Stainless Steel or Silver Steel		
CHECKED		TITLE		
QA				
MFG				
APPROVED				
		SIZE C	DWG NO pivot shaft	REV
		SCALE	SHEET 1 OF 1	