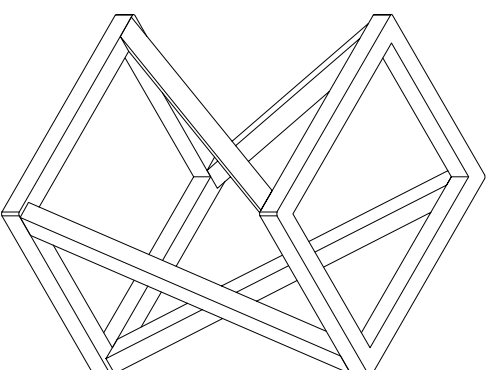
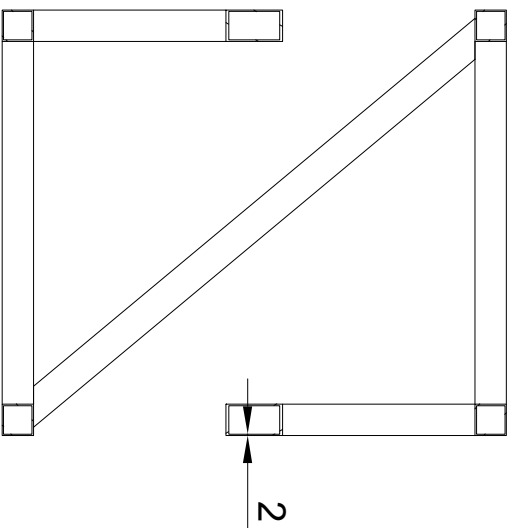


A-A (1:10)



Dept.	Technical reference	Created by <b>Pistacchio Graphic</b>	Approved by
		Document type <b>Fusion 360 #18</b>	Document status
		Title <b>Bench Twist</b>	DWG No.
		Rev.	Date of issue
			<b>10/02/2023</b>
		Sheet	<b>1/1</b>