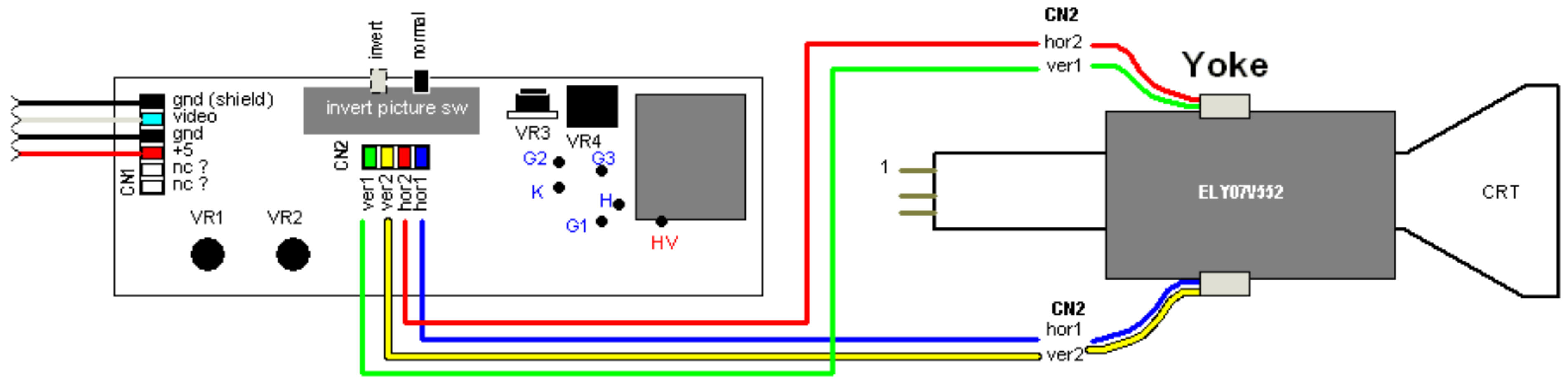


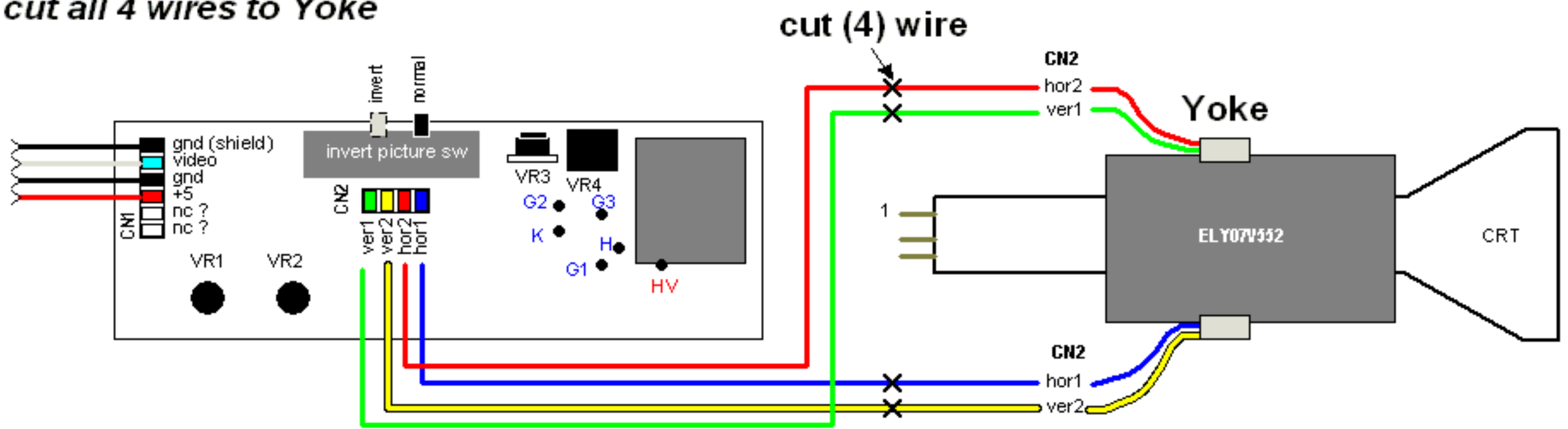
# Camcorder Mini CRT info

## Wiring changes to use as Oscilloscope

### Original wiring setup

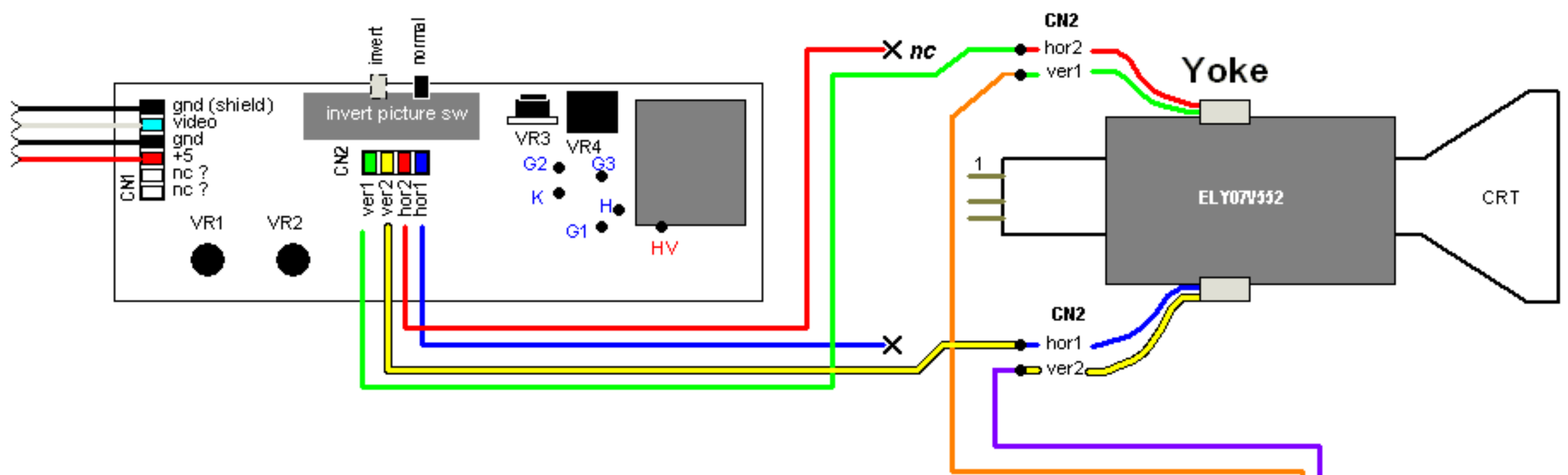


### Step 1 cut all 4 wires to Yoke

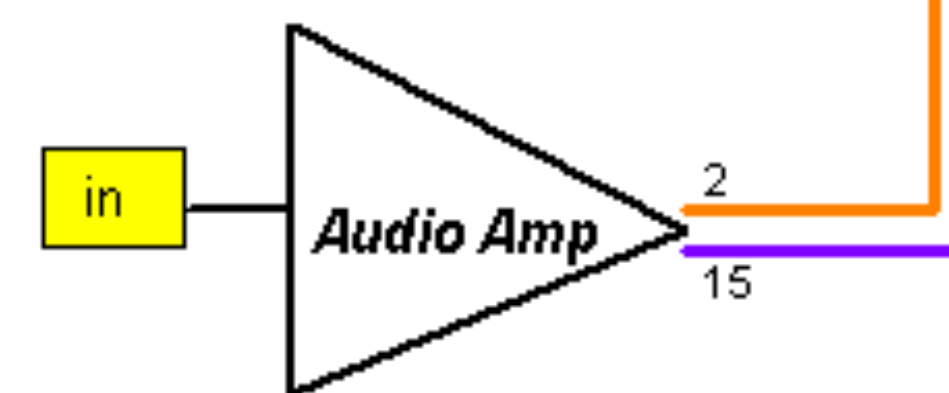
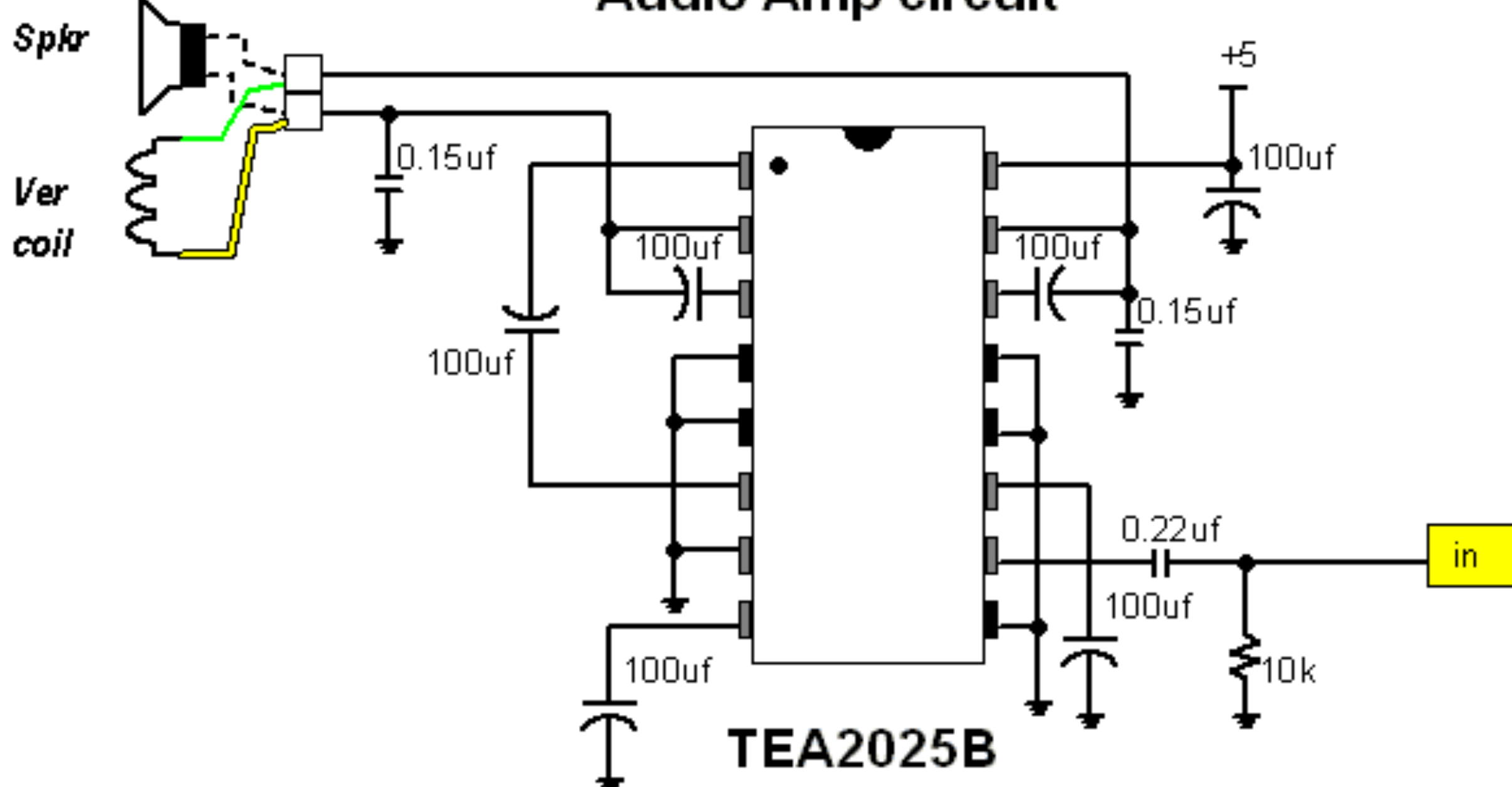


### Step 2

move Green wire to Red on Yoke  
 move Yellow wire to Blue on Yoke  
 add orange and Violet wires (audio) from amp



### Audio Amp circuit



TEA2025B

