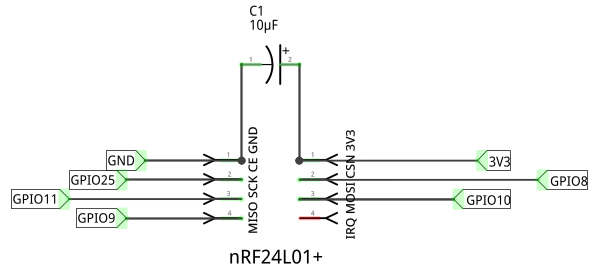
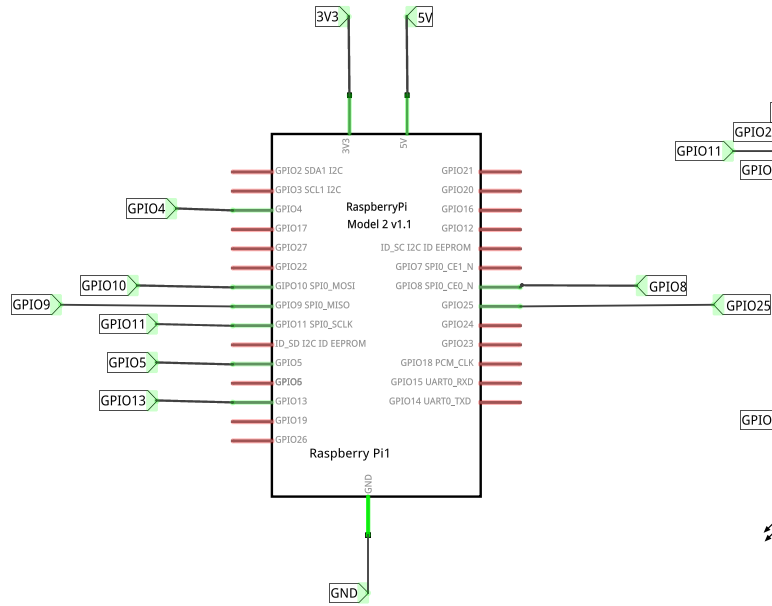
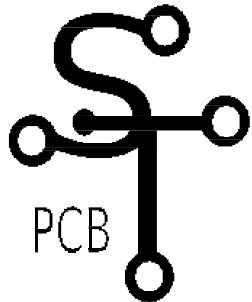
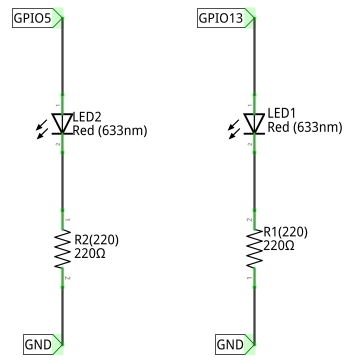


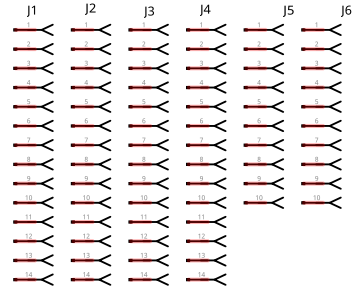
Humidity and Temperature Sensor



nRF24L01+



LED Indicator Lights



Prototyping Area

Small nRF24L01+ radio connector for the Raspberry Pi			
Project	Raspberry Pi nRF24L01+ Connector		
Filename	my RaspberryPinRF24L01.fzz	Rev	1
Date	09 Dec 2015 23:35:31	Sheet	1/1