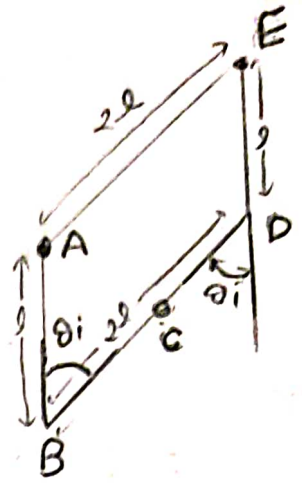
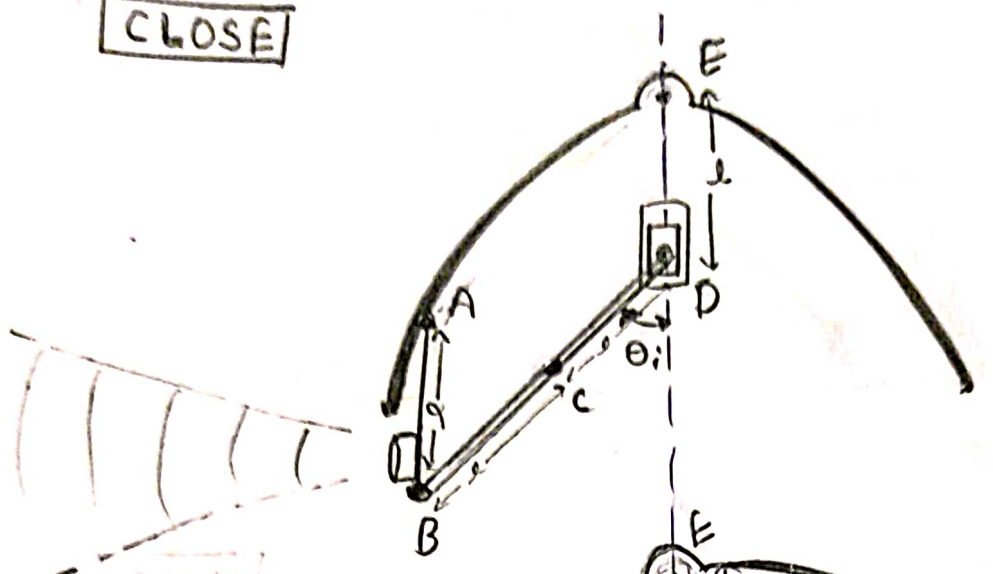
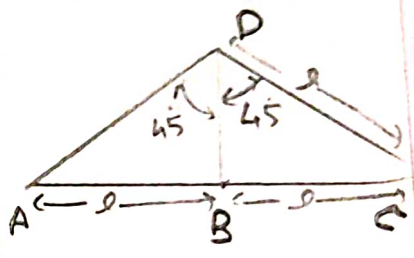
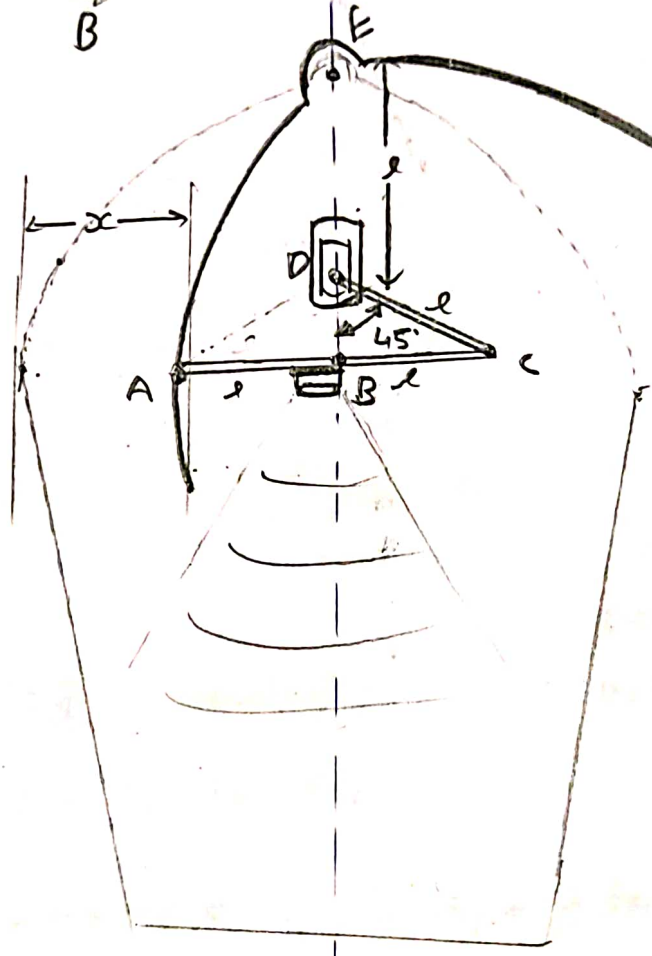


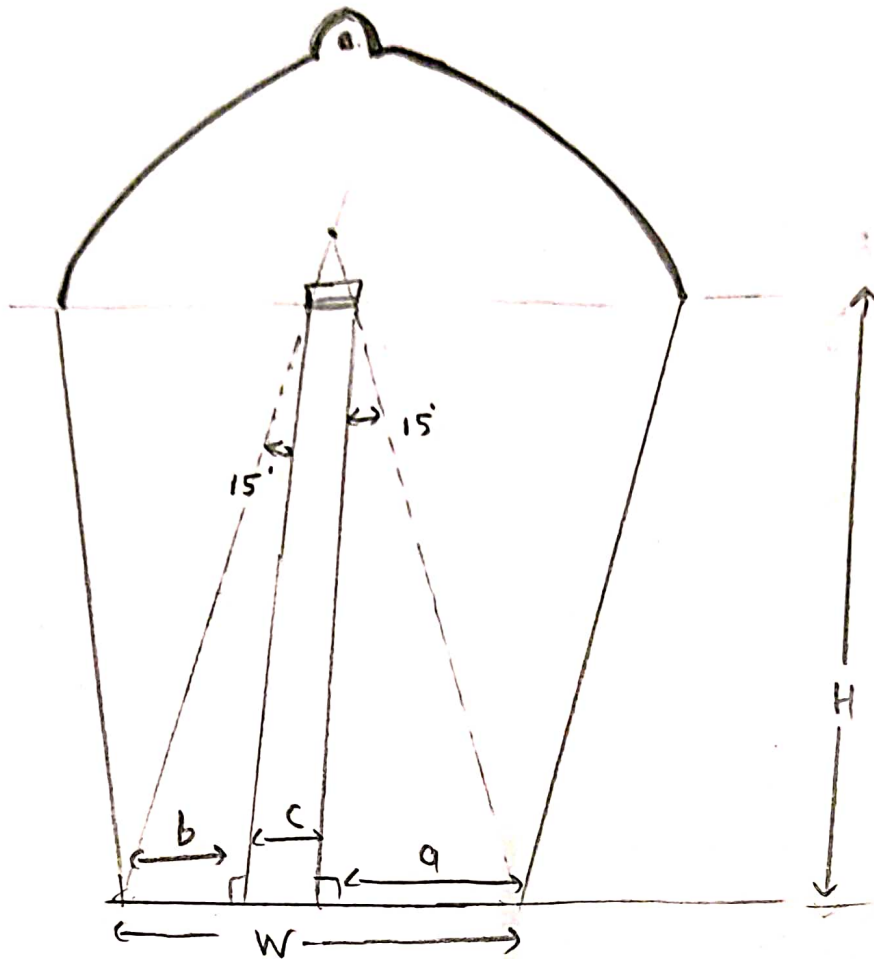
CLOSE



OPEN



# Dimensions of Dustbin



$c =$  From datasheet

$$W = a + b + c$$

$$a = H \tan(15^\circ)$$

$$b = H \tan(15^\circ)$$

$$a + b + c = H \tan(15^\circ) + H \tan(15^\circ) + c$$

$$W = 2 H \tan(15^\circ)$$

$$\frac{W}{H} = 2 \tan(15^\circ)$$

$$\frac{W}{H} = 0.53$$

$$\boxed{\frac{W}{H} \geq 0.53}$$