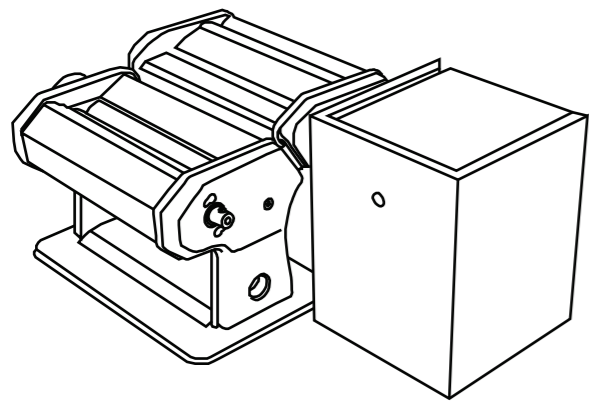


Social currency-Pasta Machine



Arduino code

```

void setup() 0
{
  Serial.begin(9600);
  pinMode(7, OUTPUT);
}

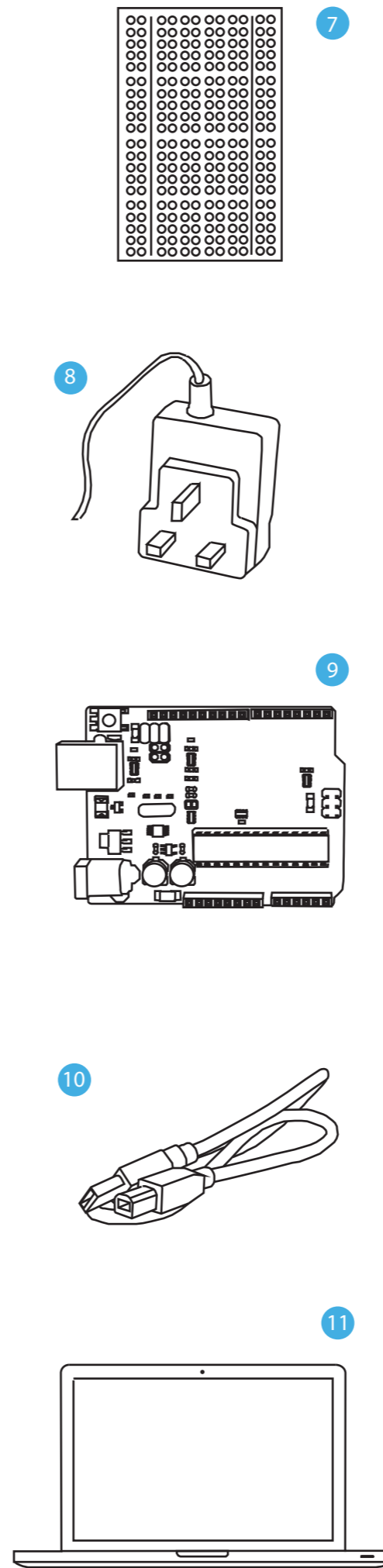
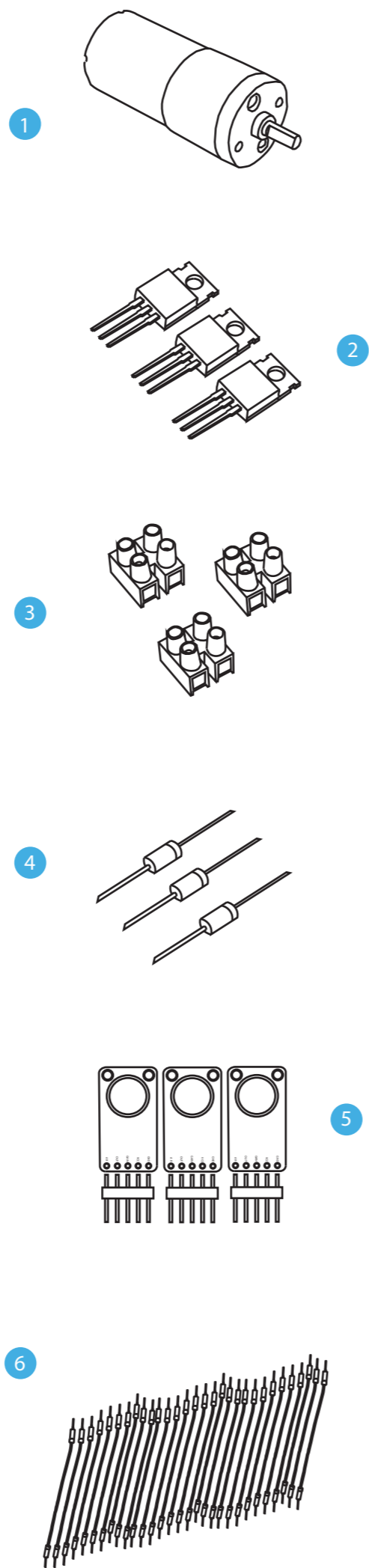
void loop()
{
  unsigned long startMillis= millis(); // Start of sample window
  unsigned int peakToPeak = 0; // peak-to-peak level

  unsigned int signalMax = 0;
  unsigned int signalMin = 1024;

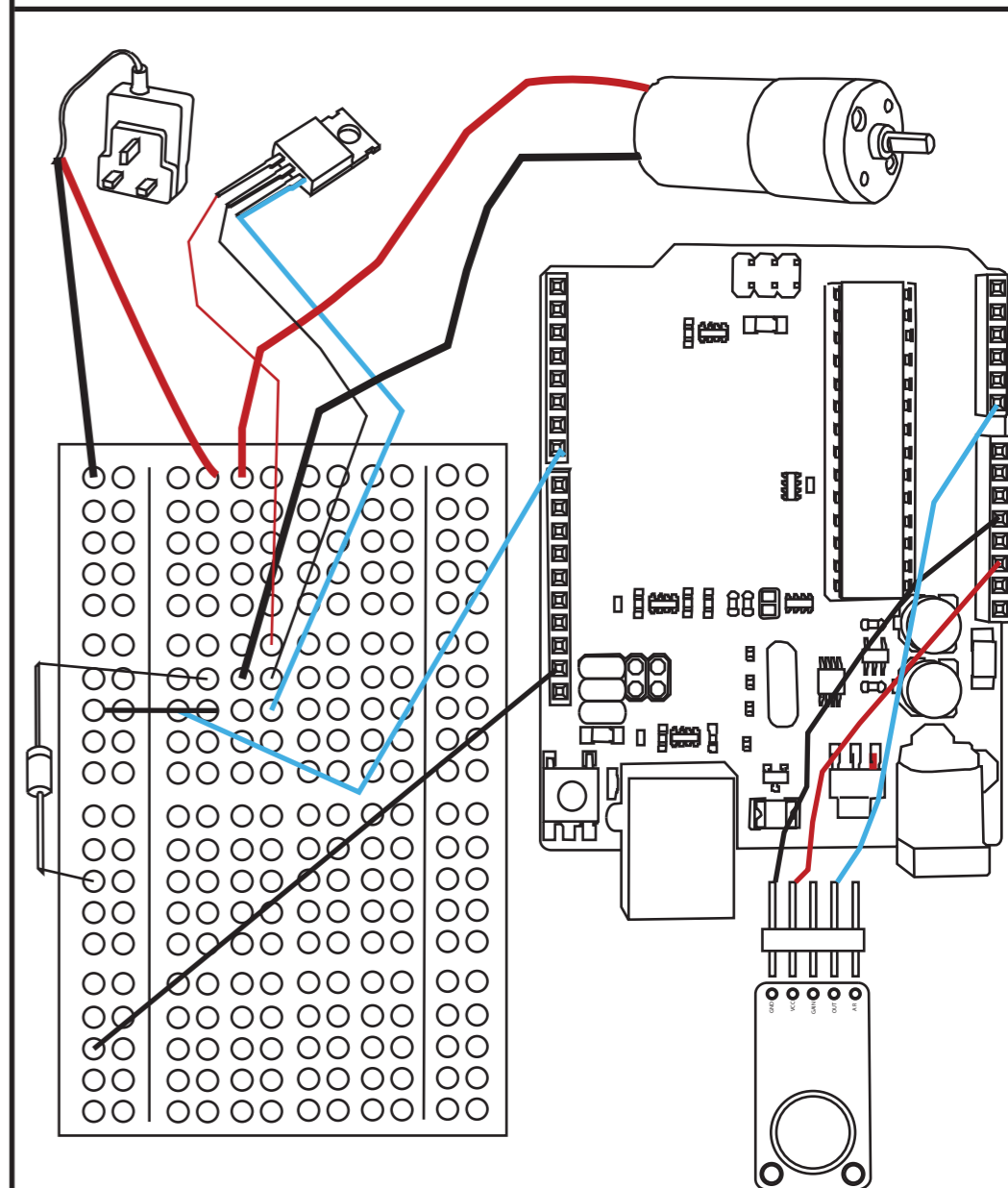
  // collect data for 50 mS
  while (millis() - startMillis < sampleWindow)
  {
    sample = analogRead(0);
    if (sample < 1024) // toss out spurious readings
    {
      if (sample > signalMax)
      {
        signalMax = sample; // save just the max levels
      }
      else if (sample < signalMin)
      {
        signalMin = sample; // save just the min levels
      }
    }
  }
  peakToPeak = signalMax - signalMin; // max - min = peak-peak amplitude

  int sendOut = map(peakToPeak, 25, 250, 0, 255);

  sendOut = constrain(sendOut, 125, 255);
  analogWrite(7, sendOut);
  Serial.println(sendOut);
}
    
```



Configuration



Index

- 0 Arduino code
- 1 12v Dc Motor
- 2 5V Transistor/
- 3 Terminal strip
- 4 Diode
- 5 Sound detector
- 6 Wires
- 7 Soulderless breadboard
- 8 12v Power supply
- 9 Arduino Uno
- 10 Usb cable
- 11 Computer