

Drawing Number:

1

Drawn By: Some Wannabe Engineer

Toronto, Ontario

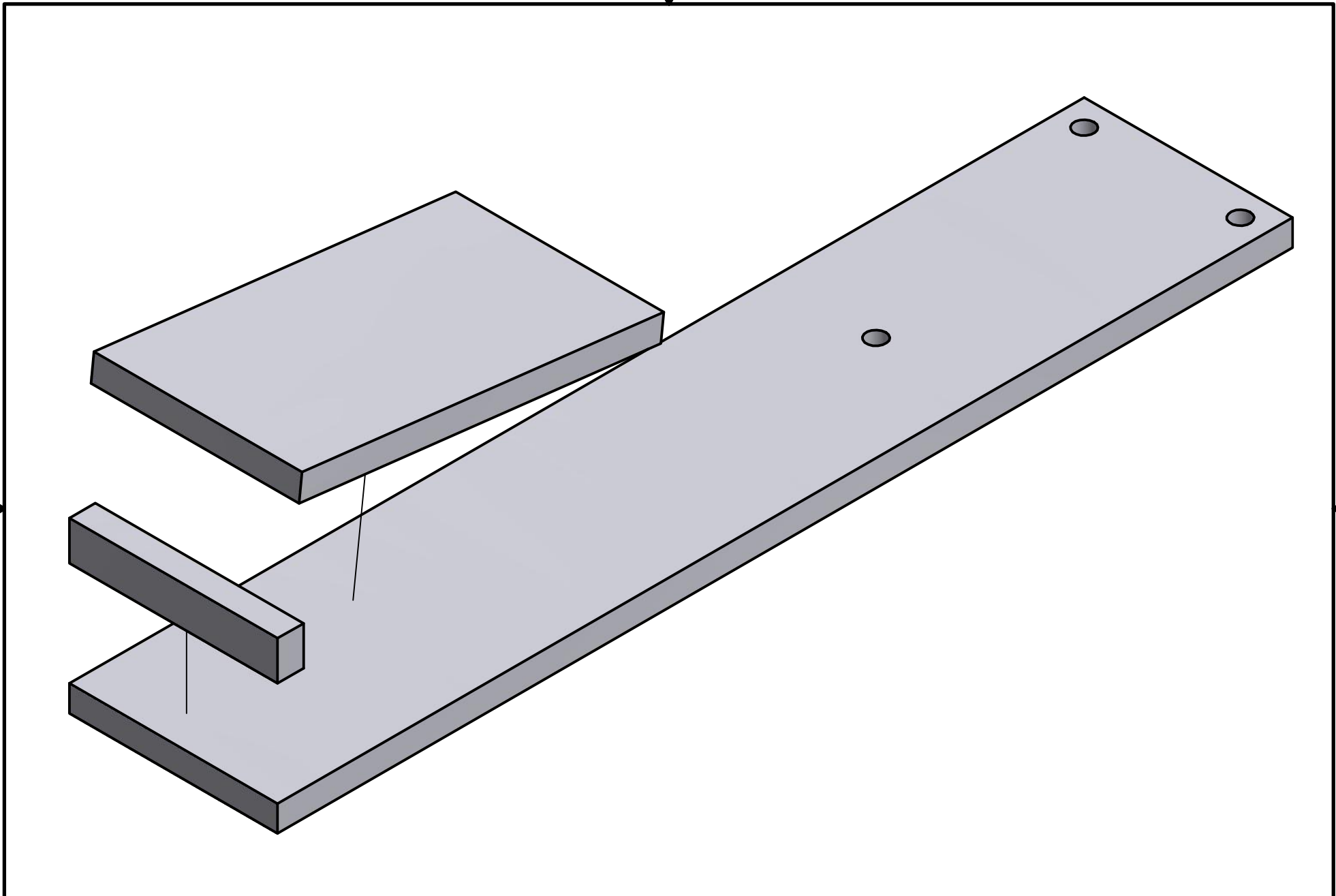
UNLESS OTHERWISE SPECIFIED :

- All Dimension Are In: Inches
- Tolerance on All Lengths are: $\pm .010$ Inches
- Tolerance on All Diameters are: $\pm .005$ Inches

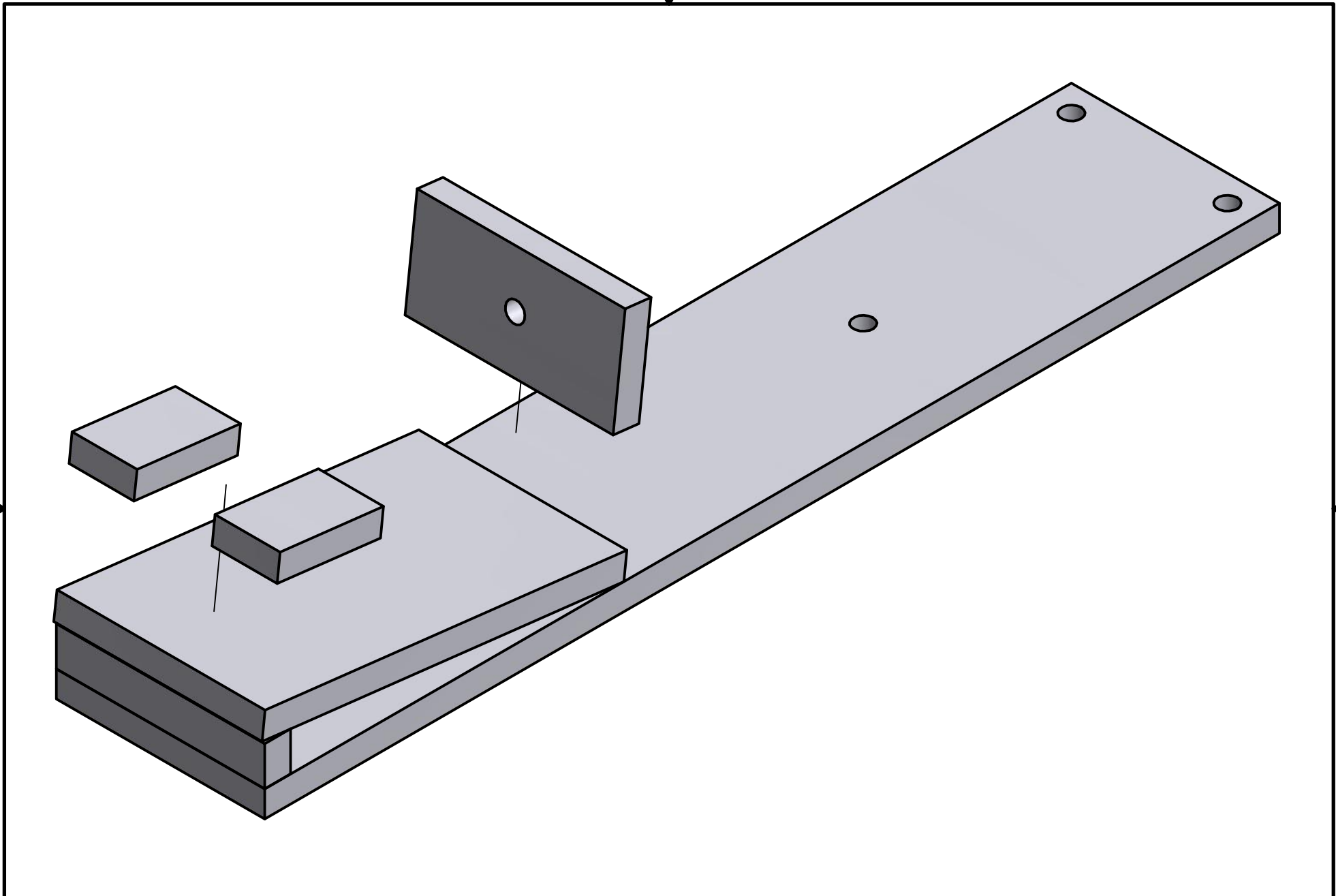
TITLE: Working Spider-Man Web Shooter

DATE: August 3rd 2016

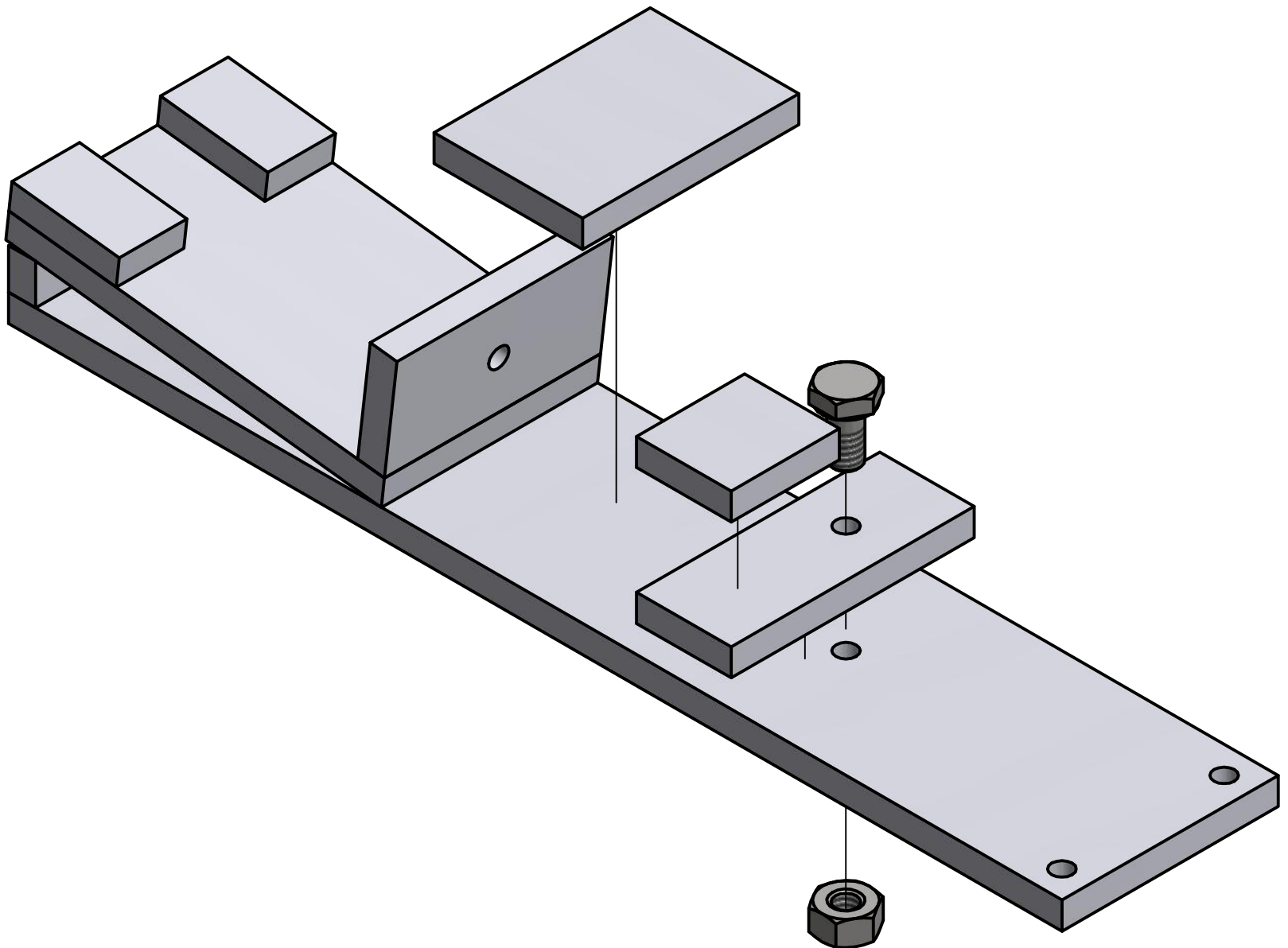
SCALE: 1:1 MATERIAL: Foamboard



Drawing Number: 2	Drawn By: Some Wannabe Engineer	<u>UNLESS OTHERWISE SPECIFIED :</u> - All Dimension Are In: Inches - Tolerance on All Lengths are: $\pm .010$ Inches - Tolerance on All Diameters are: $\pm .005$ Inches	TITLE: Working Spider-Man Web Shooter	
	Toronto, Ontario		DATE: August 3rd 2016	SCALE:1.125:1



Drawing Number: 3	Drawn By: Some Wannabe Engineer	<u>UNLESS OTHERWISE SPECIFIED :</u> - All Dimension Are In: Inches - Tolerance on All Lengths are: $\pm .010$ Inches - Tolerance on All Diameters are: $\pm .005$ Inches	TITLE: Working Spider-Man Web Shooter	
	Toronto, Ontario		DATE: August 3rd 2016	SCALE:1.125:1



Drawing Number:

Drawn By: Some Wannabe Engineer

UNLESS OTHERWISE SPECIFIED :

- All Dimension Are In: Inches
- Tolerance on All Lengths are: $\pm .010$ Inches
- Tolerance on All Diameters are: $\pm .005$ Inches

TITLE: Working Spider-Man Web Shooter

4

Toronto, Ontario

DATE: August 3rd 2016

SCALE: 1:1 MATERIAL: Foamboard

