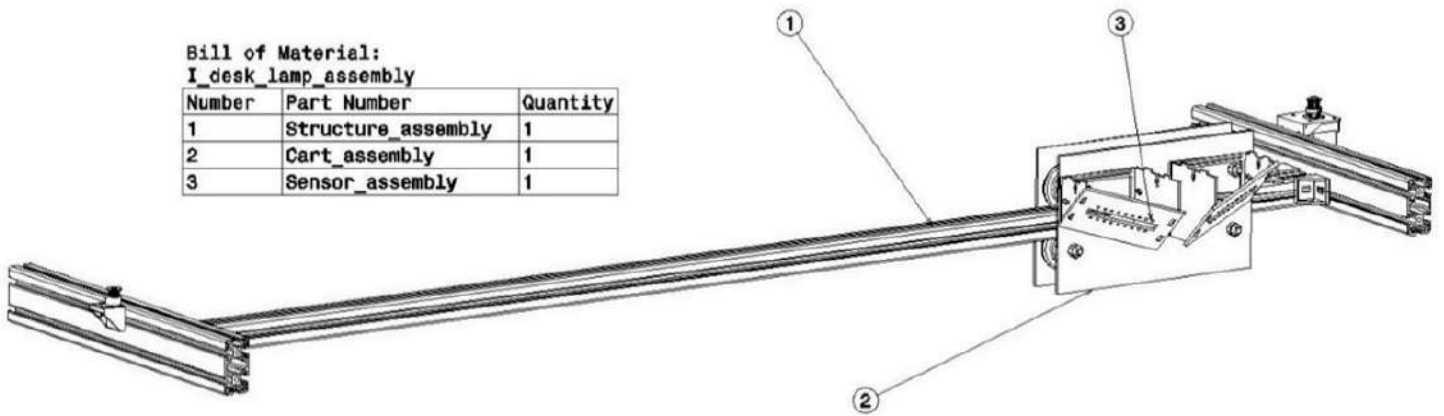
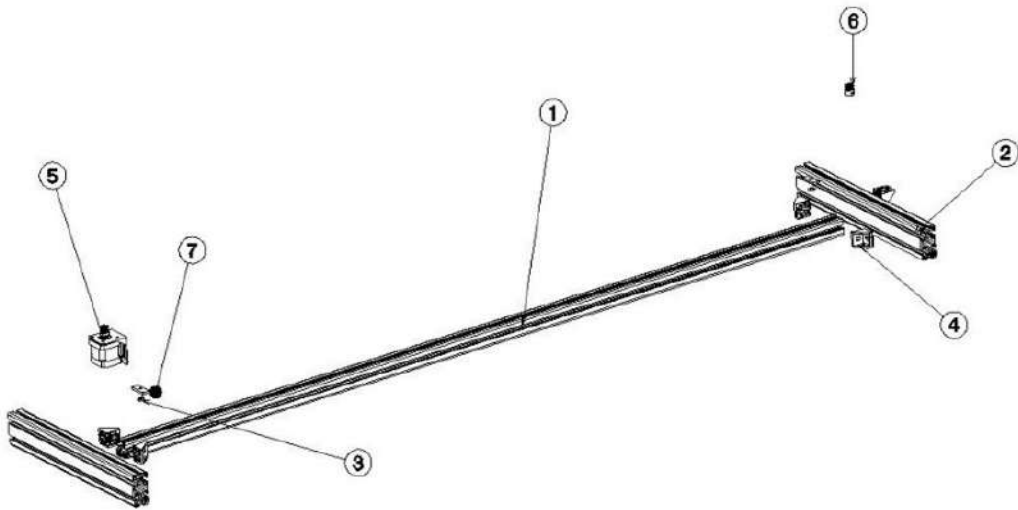


Bill of Material:
I_desk_lamp_assembly

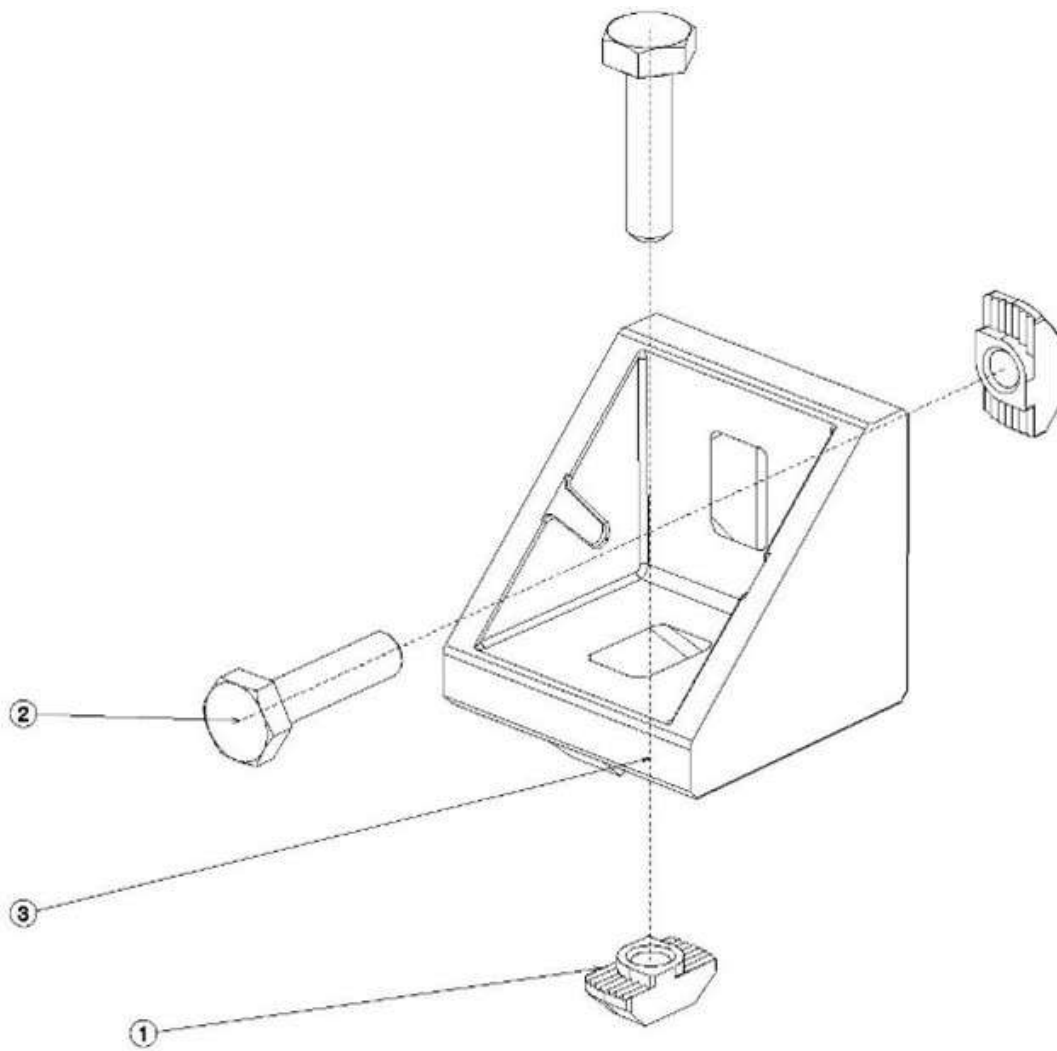
Number	Part Number	Quantity
1	Structure_assembly	1
2	Cart_assembly	1
3	Sensor_assembly	1





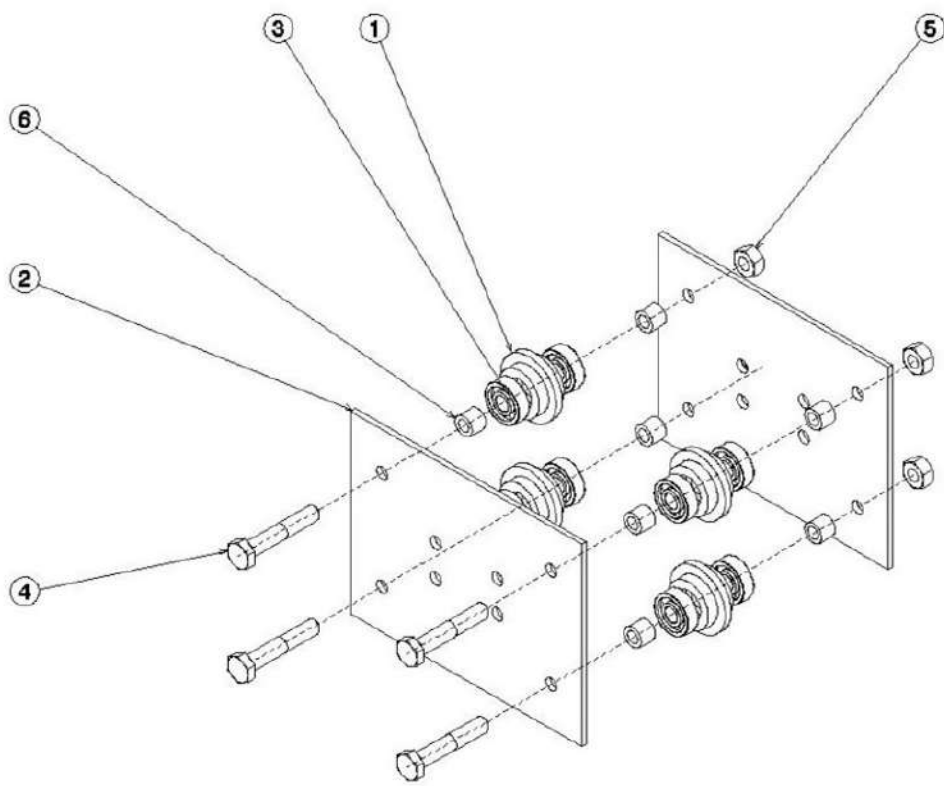
Bill of Material: Assembly_structure

Number	Part Number	Quantity
1	Main rail	1
2	Lateral rail	2
3	T-nut	11
4	Bracket	5
5	Motor's assembly	1
6	GT2 20 Pulley	1
7	Limit switch plate	2
8	M6 bolt	11



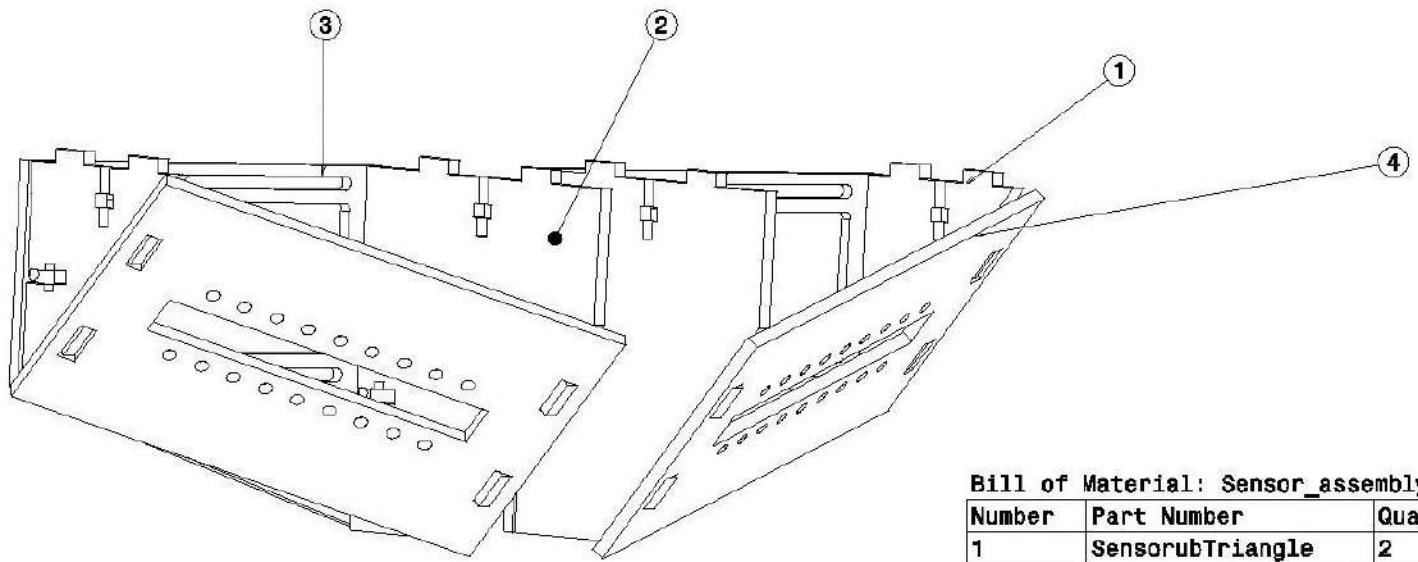
Bill of Material: Rail Joint

Number	Part Number	Quantity
1	T-nut	2
2	M6 bolt	2
3	Bracket	1



Bill of Material: Cart_assembly

Number	Part Number	Quantity
1	Wheel	4
2	Cartplate	2
3	SKF_608	8
4	M8 bolt	4
5	M8 nut	4
6	Spacer	8



Bill of Material: Sensor_assembly

Number	Part Number	Quantity
1	SensorubTriangle	2
2	SensorHubTriangle2	2
3	Sensor backplate	2
4	Sensor base	2