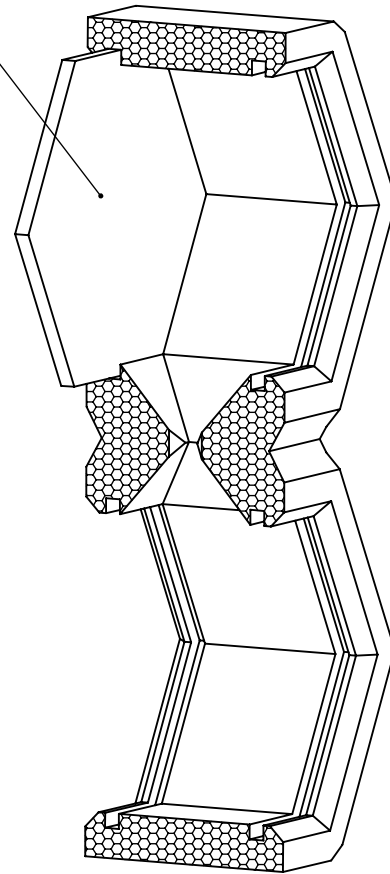
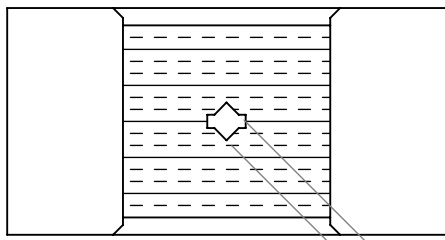


2mm acrylic sheet

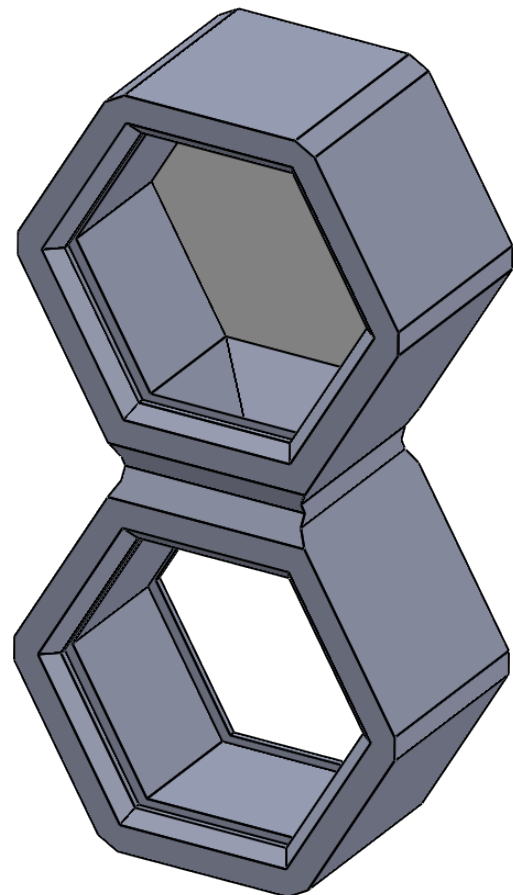


SECTION A-A

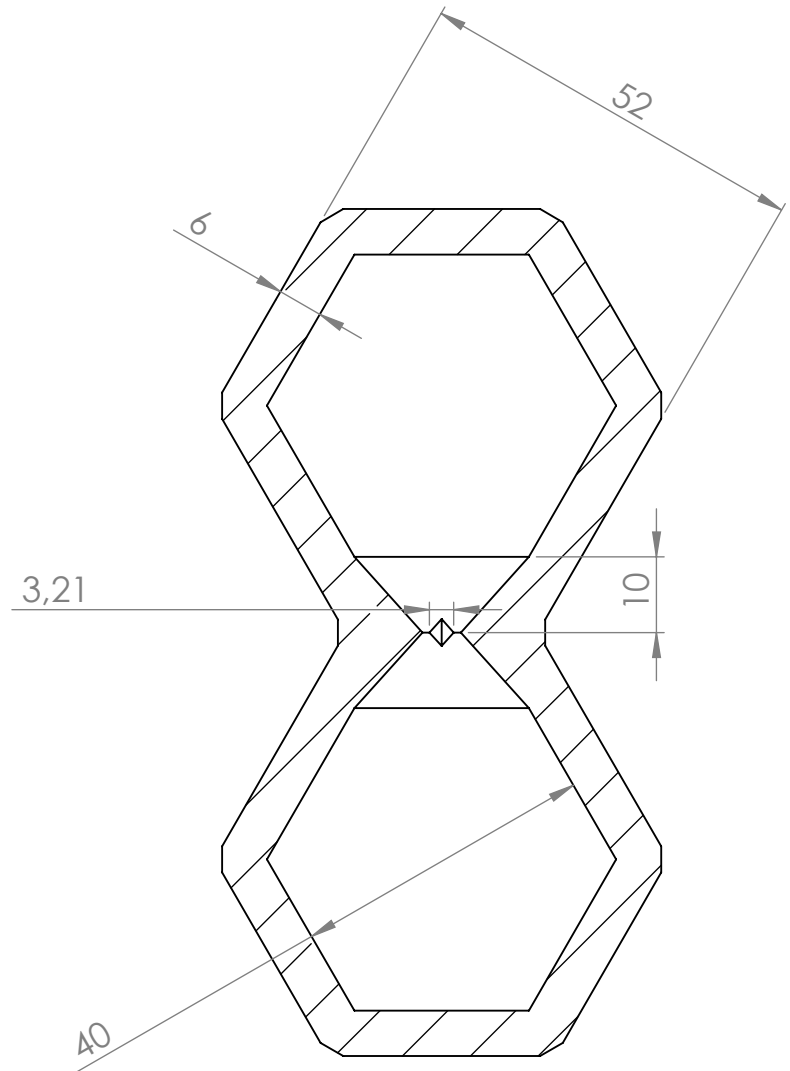
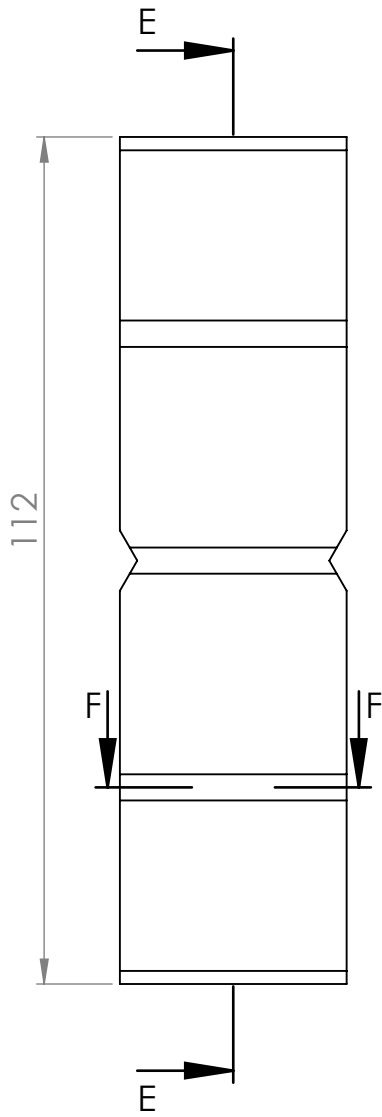


SECTION C-C

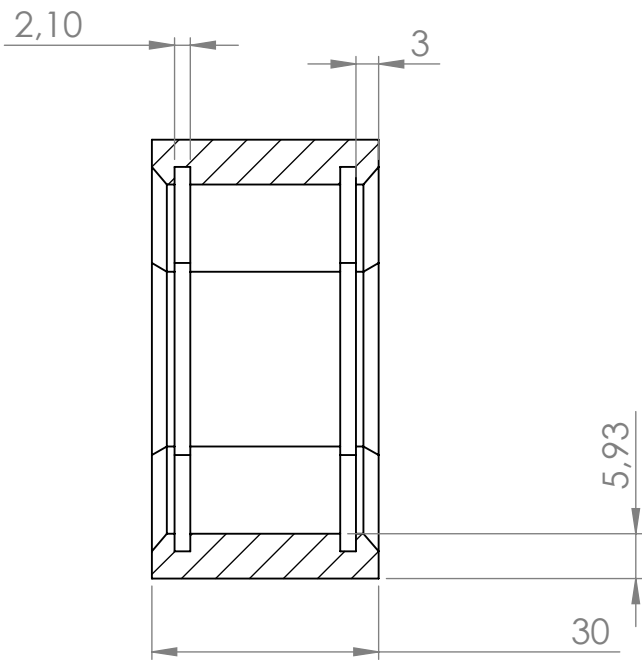
3,54



3D printed Hourglass

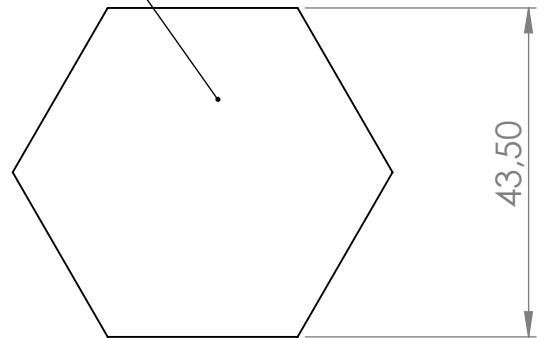


SECTION E-E



SECTION F-F

2mm acrylic sheet



3D printed Hourglass