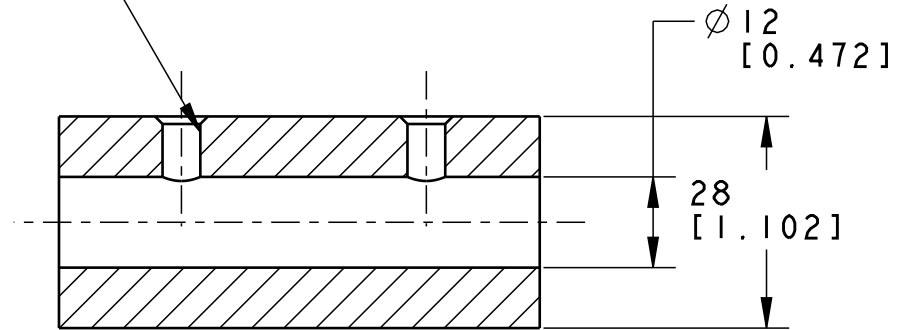


2 x M6 x 1 HOLE

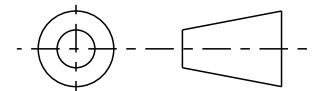


DIMENSIONS ARE IN MILLIMETERS U.O.S.

FROM 0.5 UP TO 3	OVER 3 UP TO 6	OVER 6 UP TO 30	OVER 30 UP TO 120	OVER 120 UP TO 400	OVER 400 UP TO 2000
±0.1	±0.1	±0.2	±0.3	±0.5	±0.8

na
ENGINEERING

THIRD ANGLE PROJECTION



DR NAGY A

10FE12

MATERIAL

SCALE

CK NAGY A

10FE12

28mm ALU STOCK

1.0

TRUING STAND

BLOCK

ORG
SIZE

A