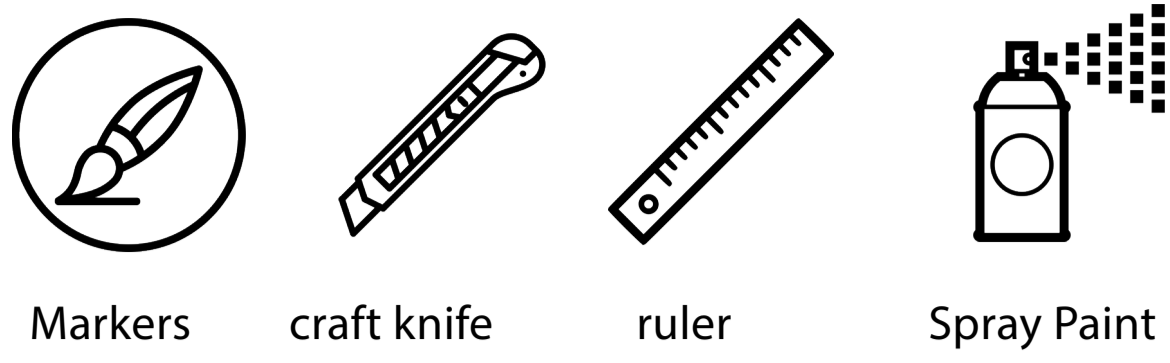
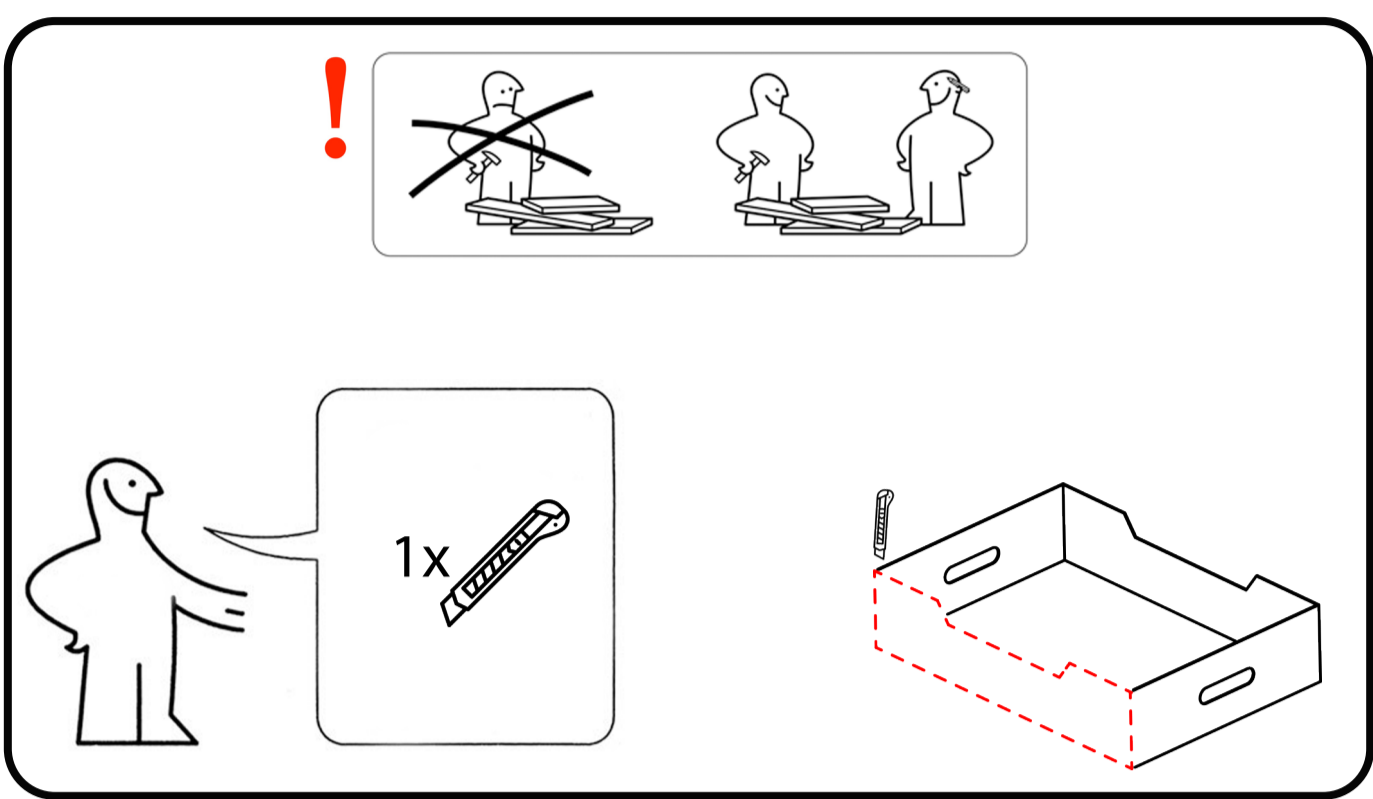


BY:
Yuval Bar Shalom
Amit Fisher

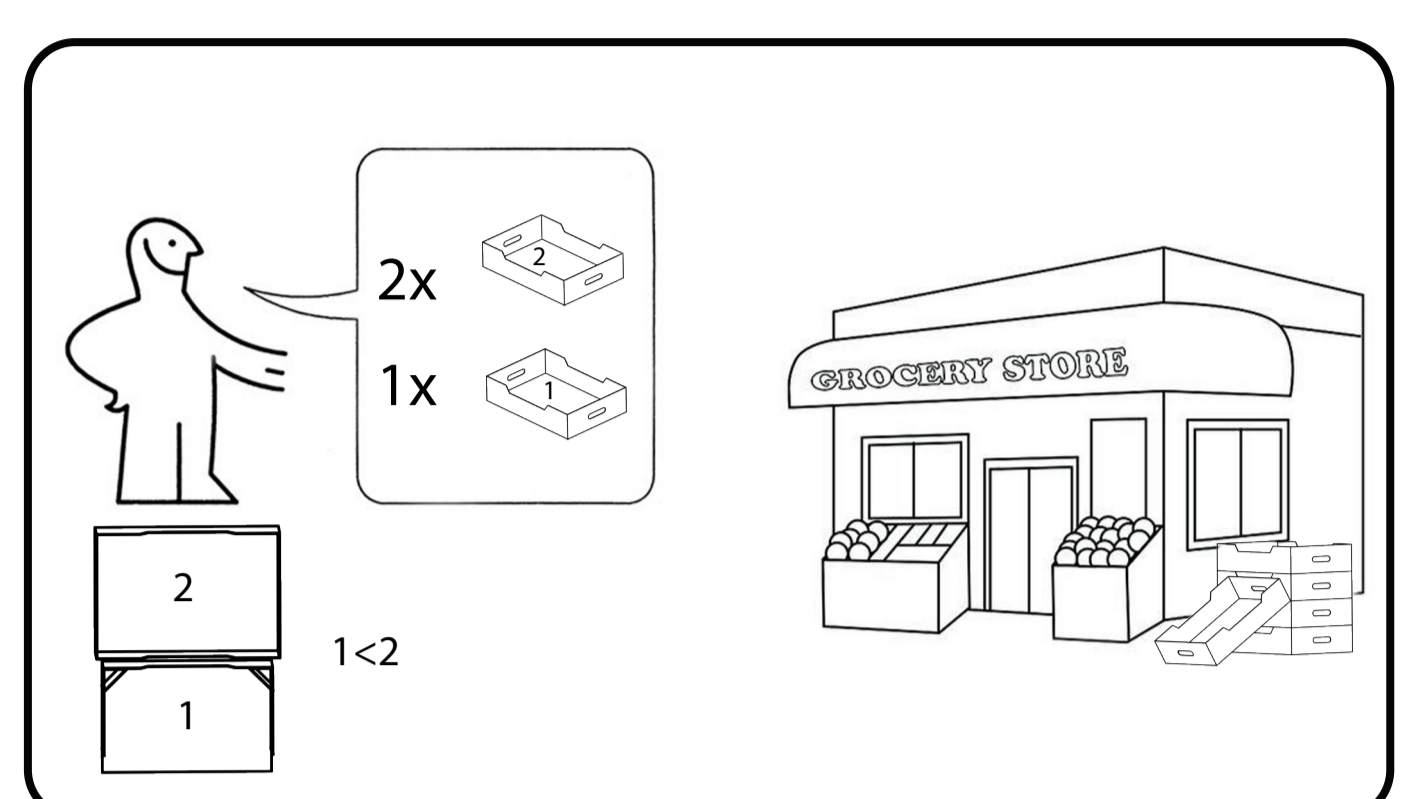
tools



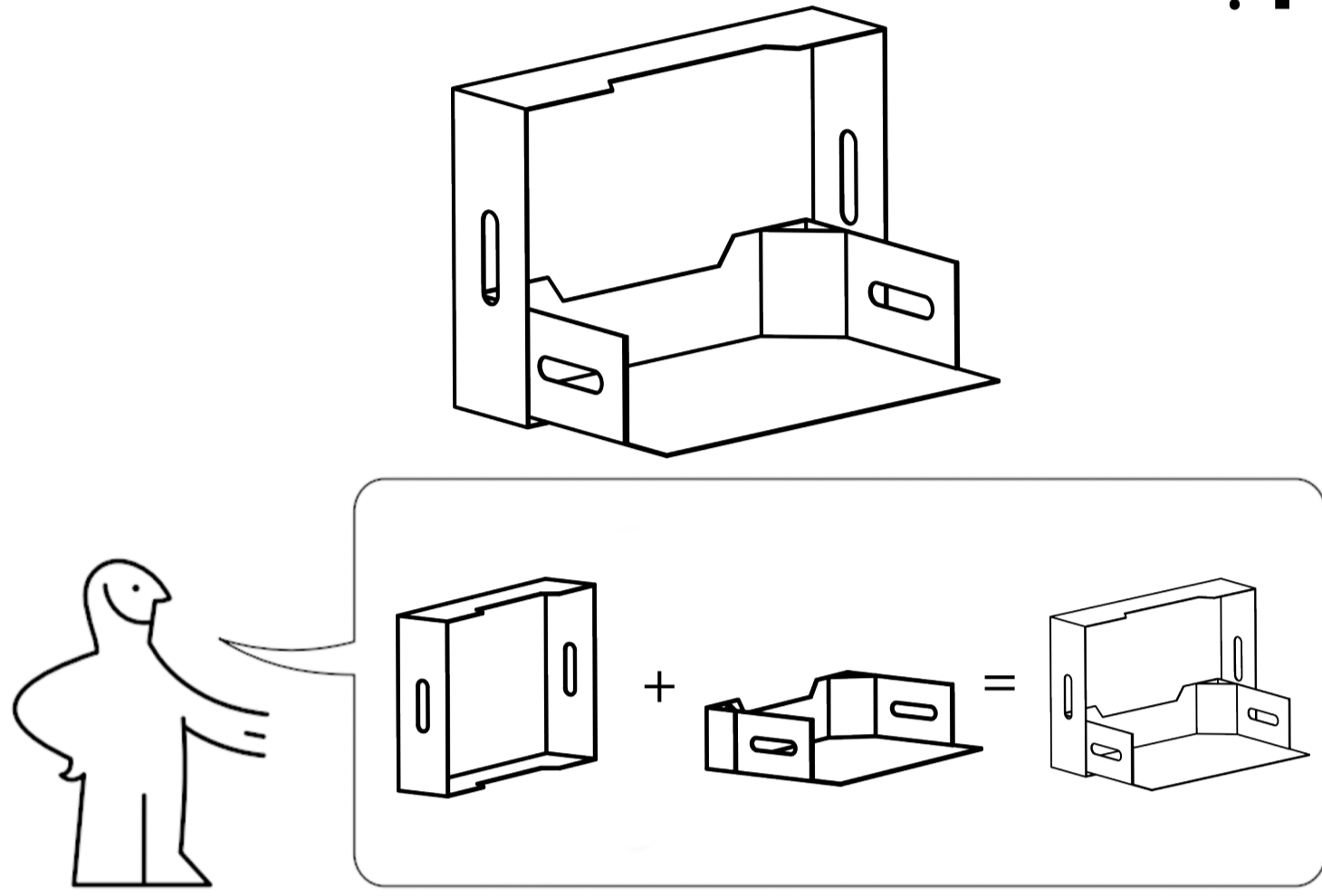
.cut box number 1 according to the picture **.2**



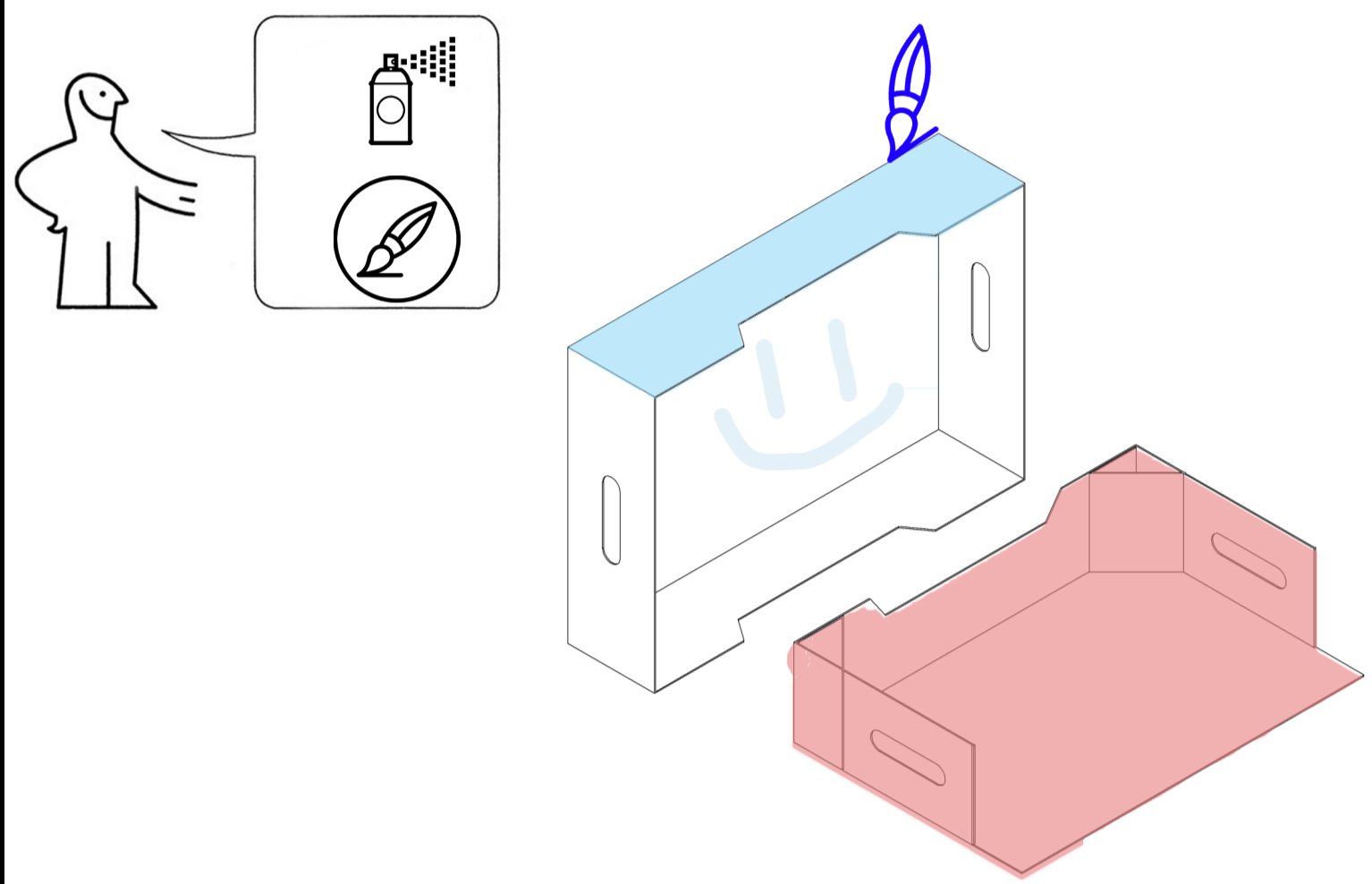
Take 3 cardboard boxes from the nearest **.1**



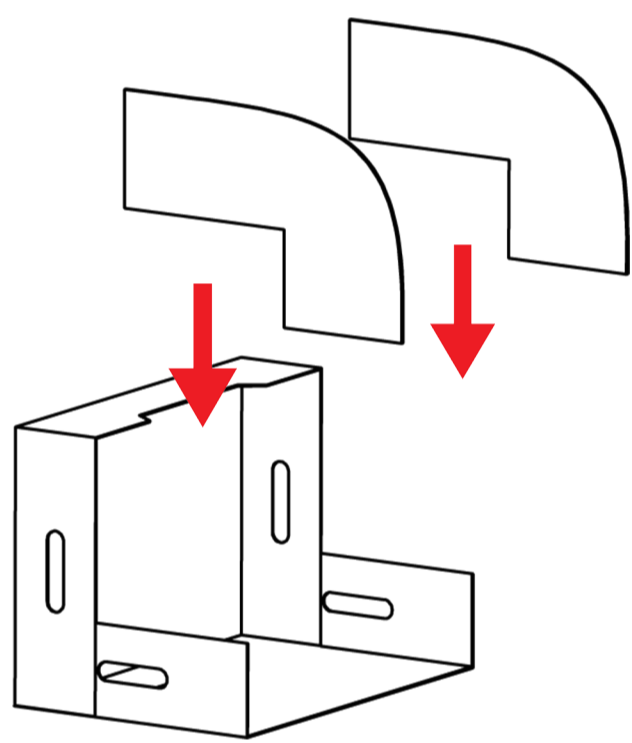
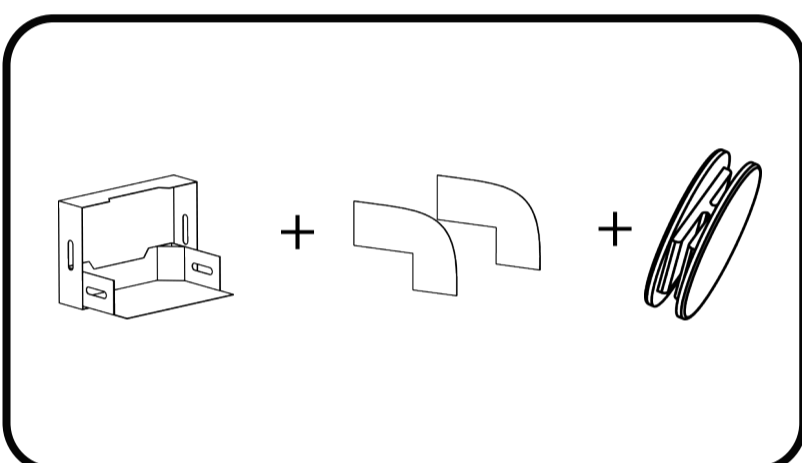
.Connect the two boxes to each other **.4**



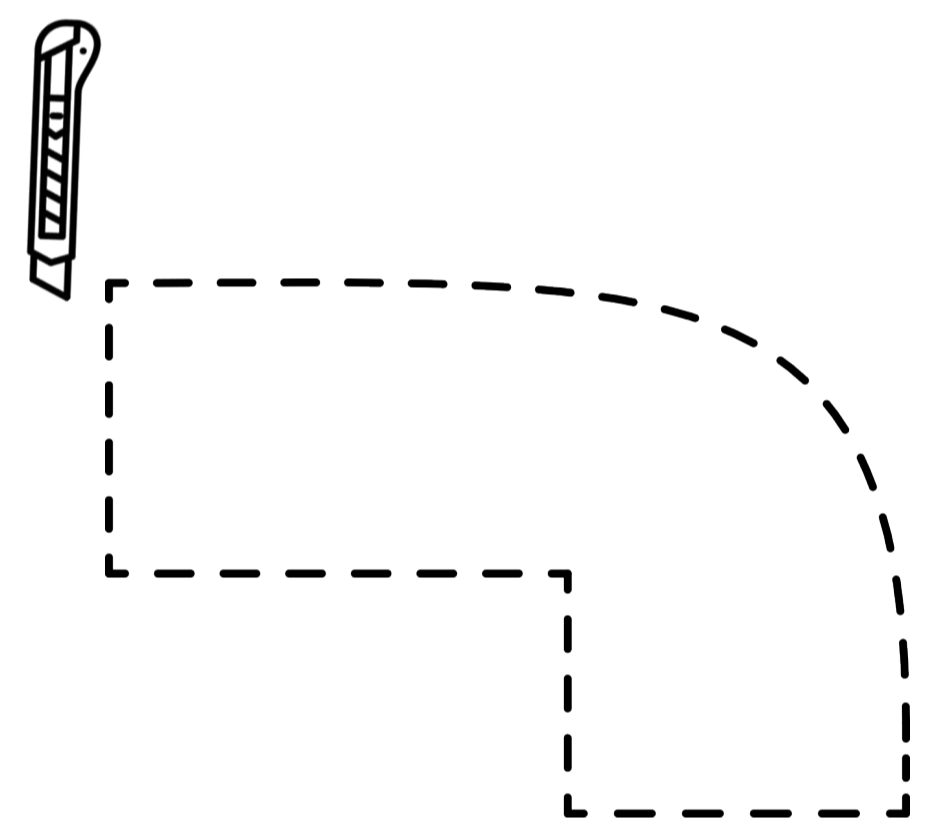
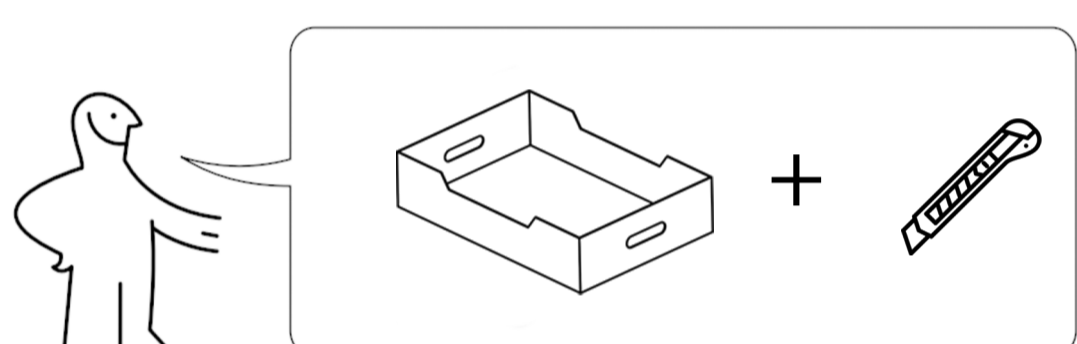
.Paint and Draw the boxes as you like **.3**



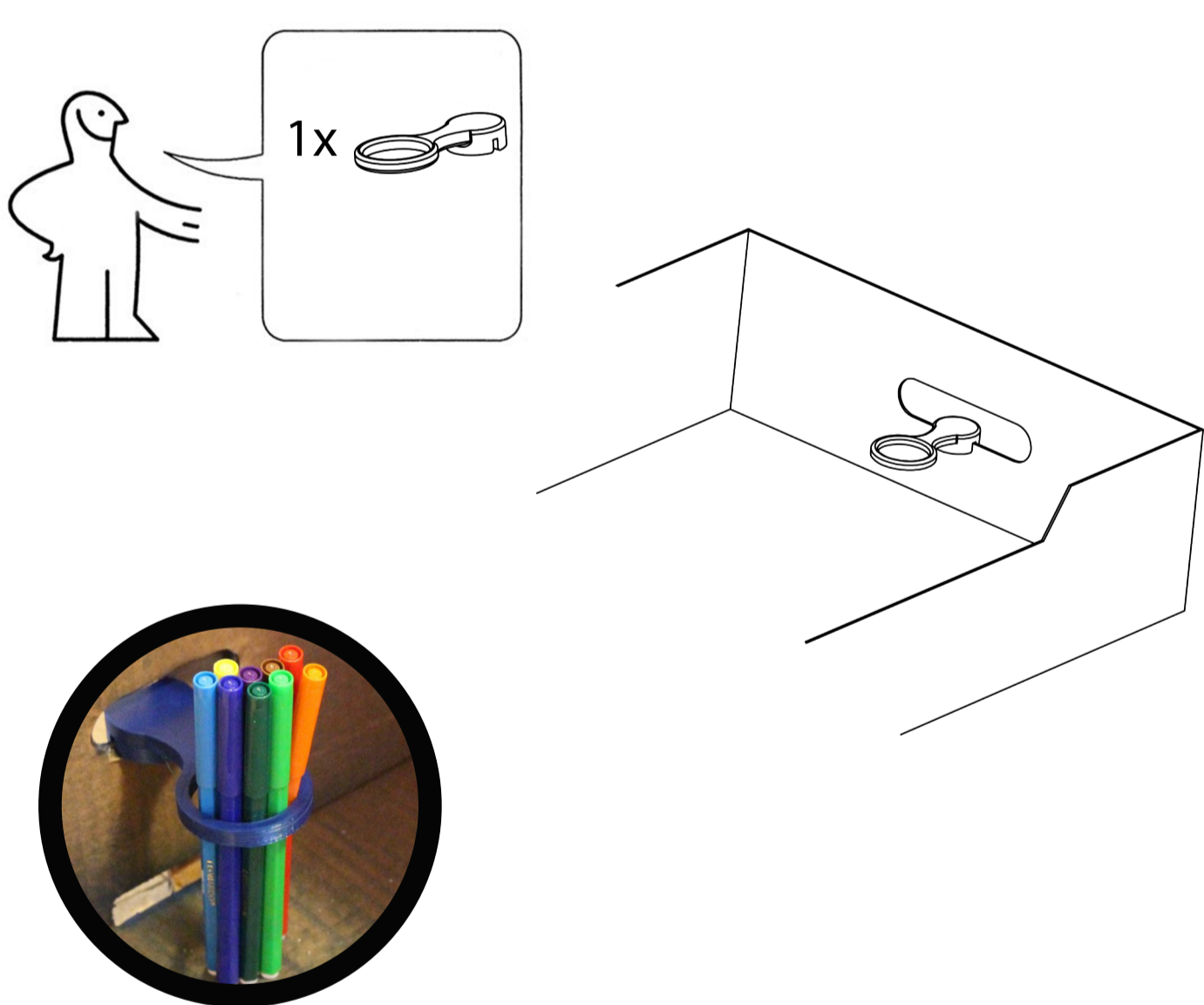
download and 3d print the files **.6**



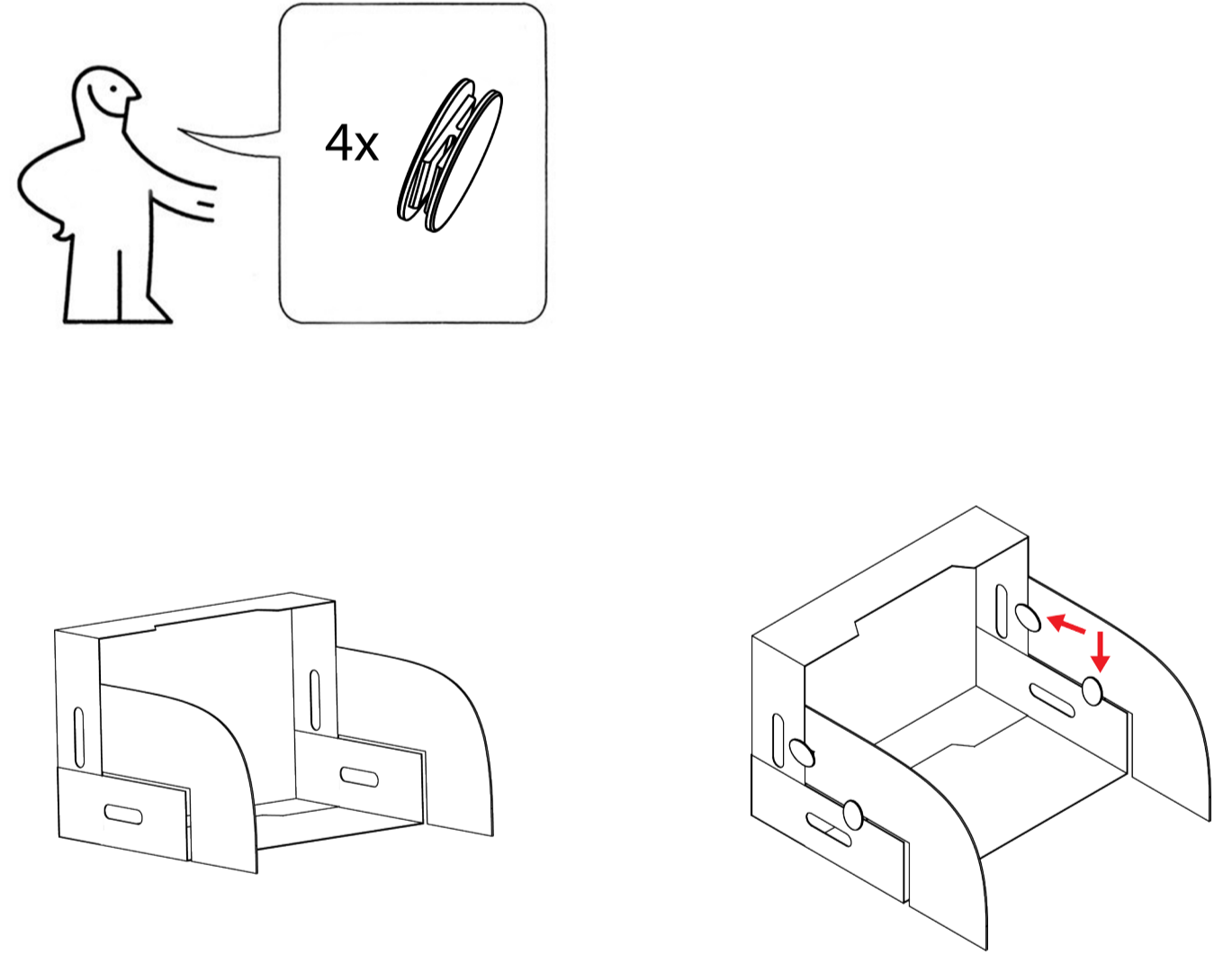
.Cut the partitions according to the picture **.5**



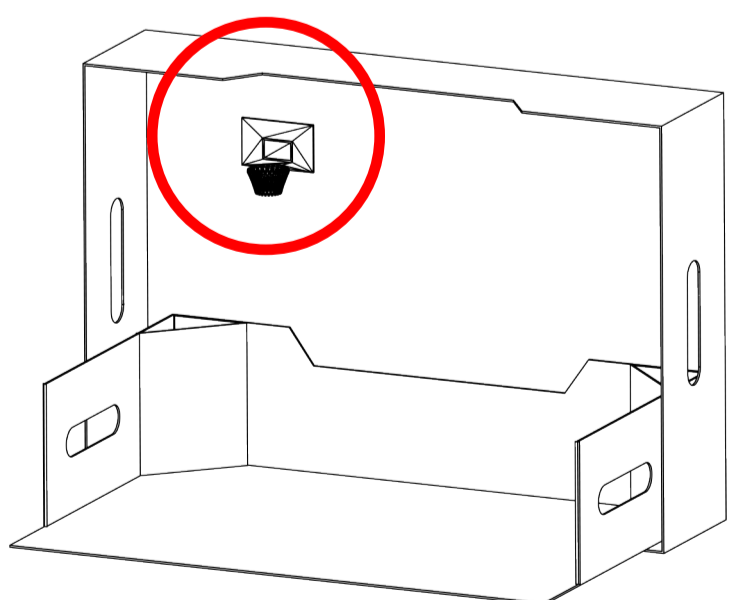
.Attach the pencil holder to the box handle hole **.8**



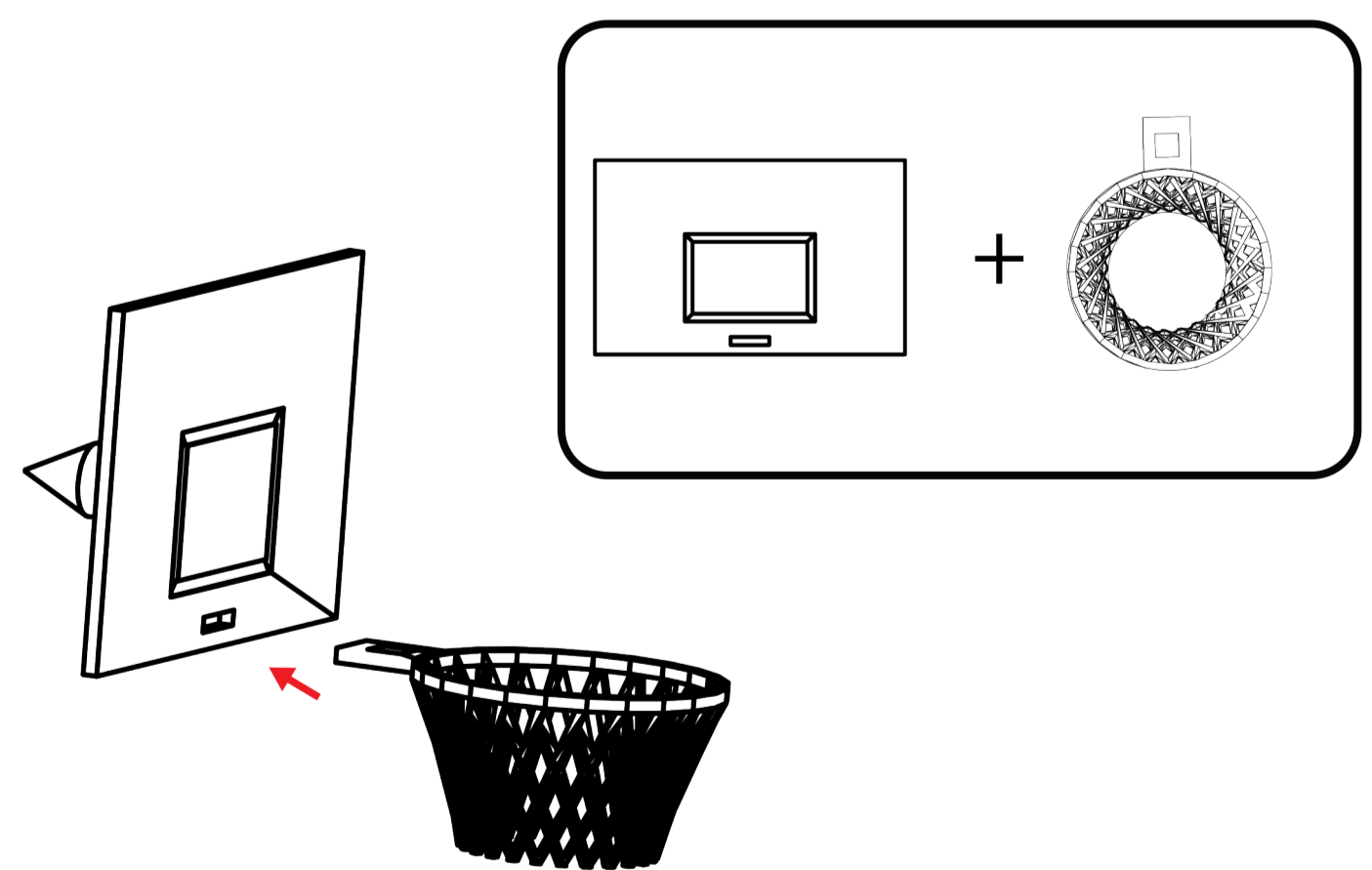
Connect the partitions with the 4 joints that you just printed **.7**



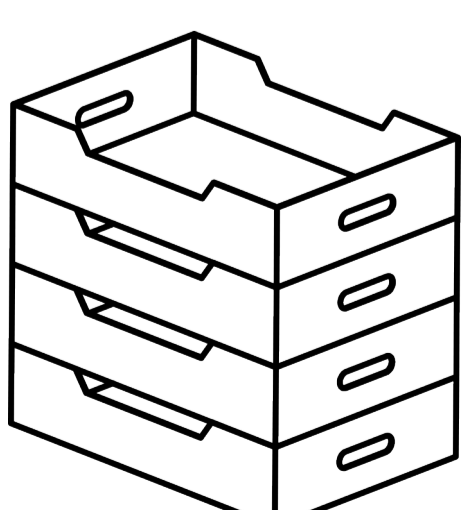
Punch the basketball board into the cardboard box **.10**



Insert the net into the board **.9**



At the end of the use, fold and stack the cardboard boxes and place in an undisturbed place **.12**



Enjoy the learning **.11**

