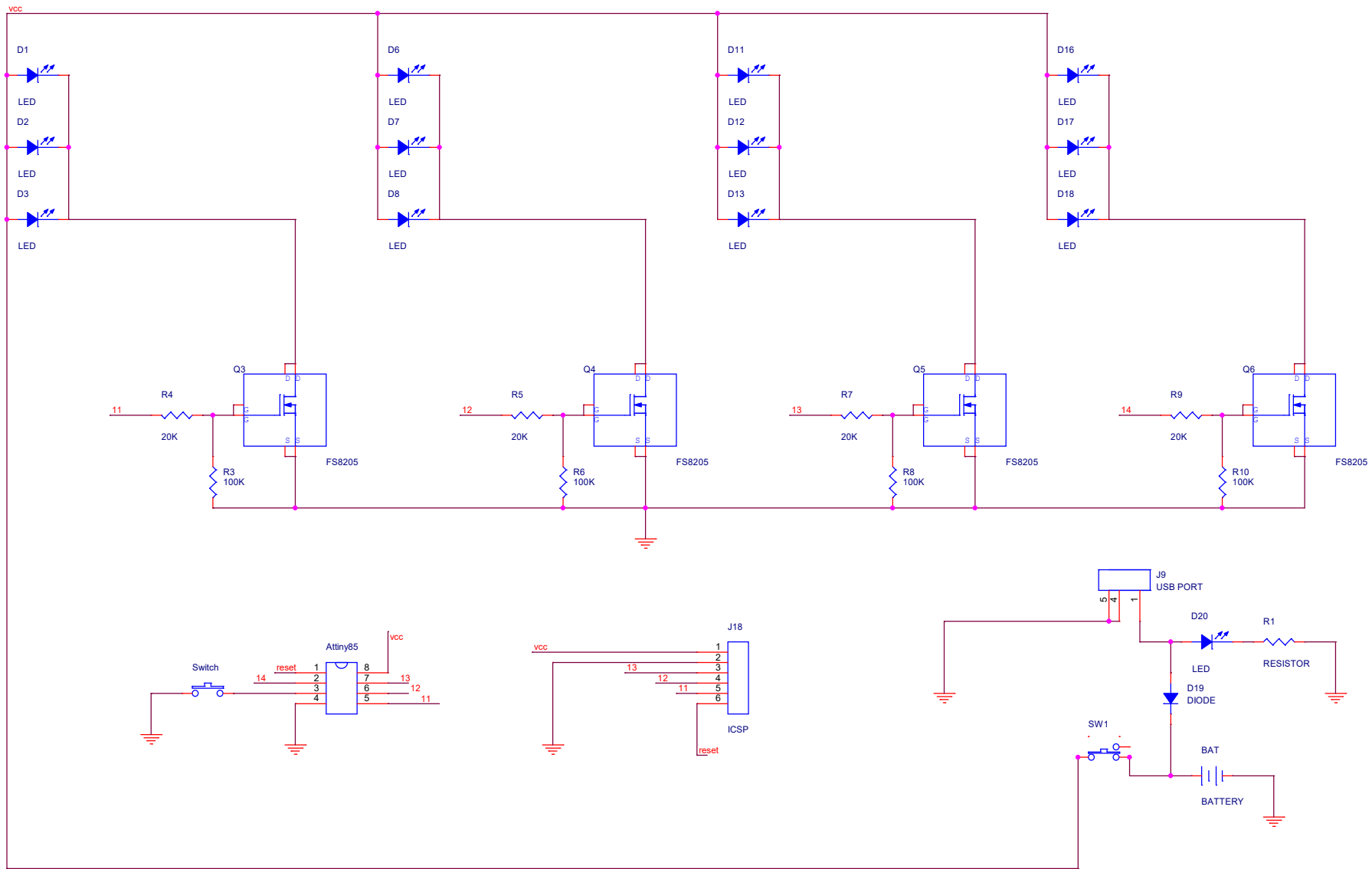
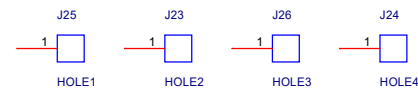


# FLUX CAPACITOR *from BACK TO THE FUTURE*



## PCB Badge



Title		<Title>
Size	Document Number	Rev
A3	<Doc>	<Rev Code>
Date:	Saturday, June 05, 2021	Sheet 1 of 1