

Table of contents

Paper dispenser all the parts	1
Paper dispenser 2 main parts	2
Adapted original dispenser BOM	3
Main pole BOM	4
Steps 1-6 Cutting the original dispenser	5-10
Steps 7-8 Making the main pole	11-12
Step 9 3D printing	13
Steps 10-11 Attching the 3D printed parts to the main pole	14-15
Step 12 Attching the 3D printed parts to the originl dispenser	16
Step 13 Combining the 2 main parts	17

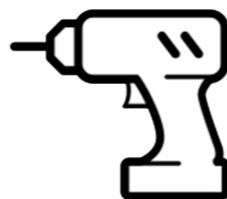
You will need



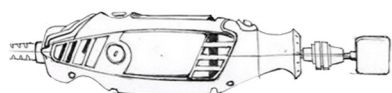
Saw



Scissors



Drill



Dremel

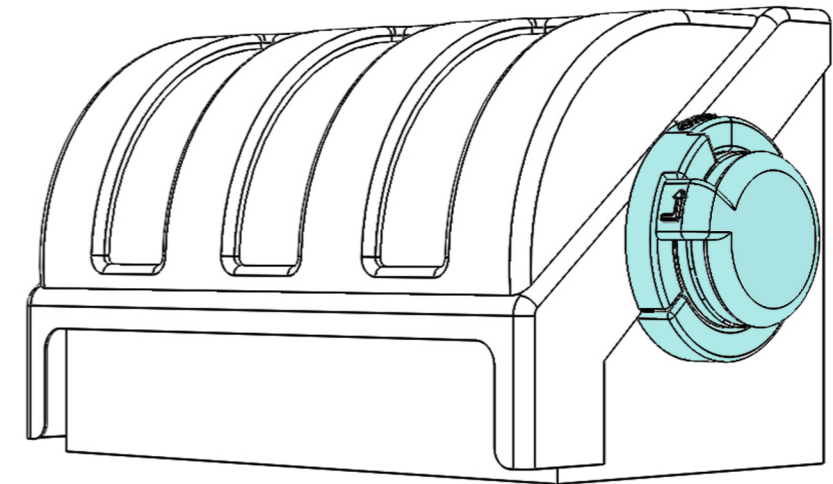


Super glue

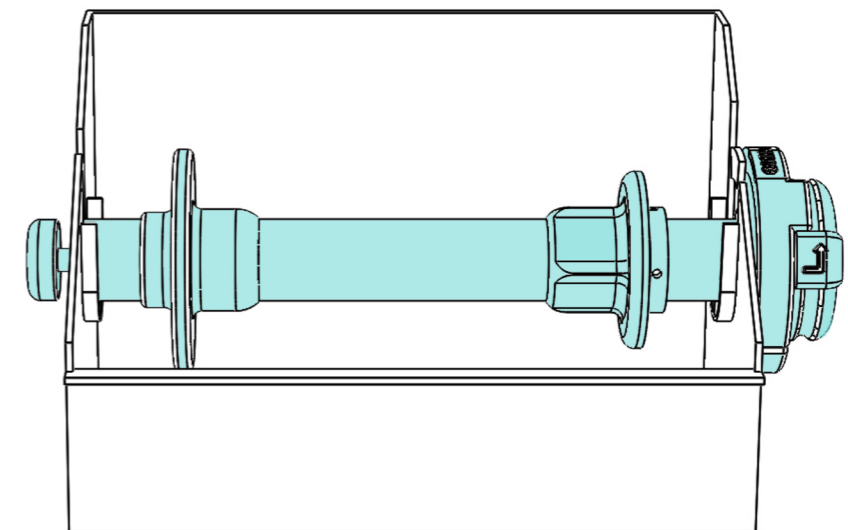


7 screws

Adapted paper dispenser- close

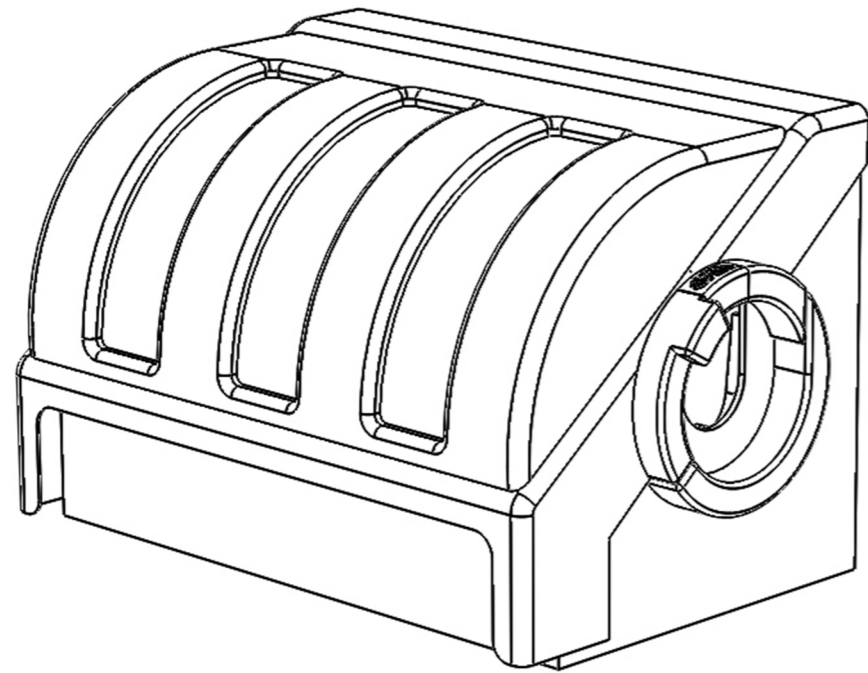


Adapted paper dispenser- open

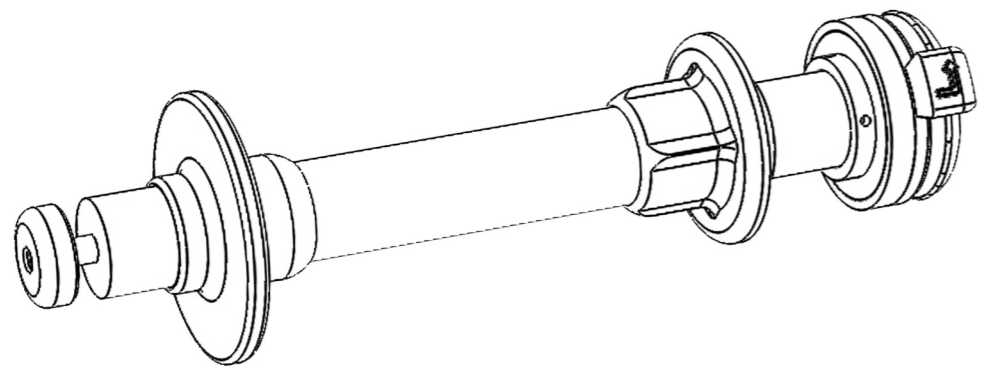


Paper dispenser- 2 Main parts

1 Adapted original dispenser +3D printed parts



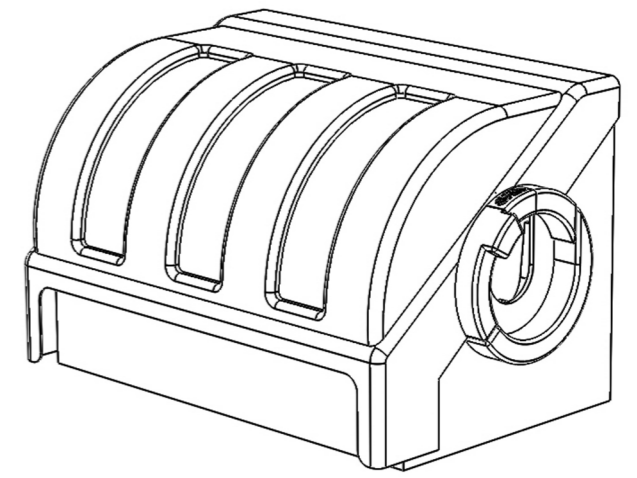
2 Main pole +3D printed parts



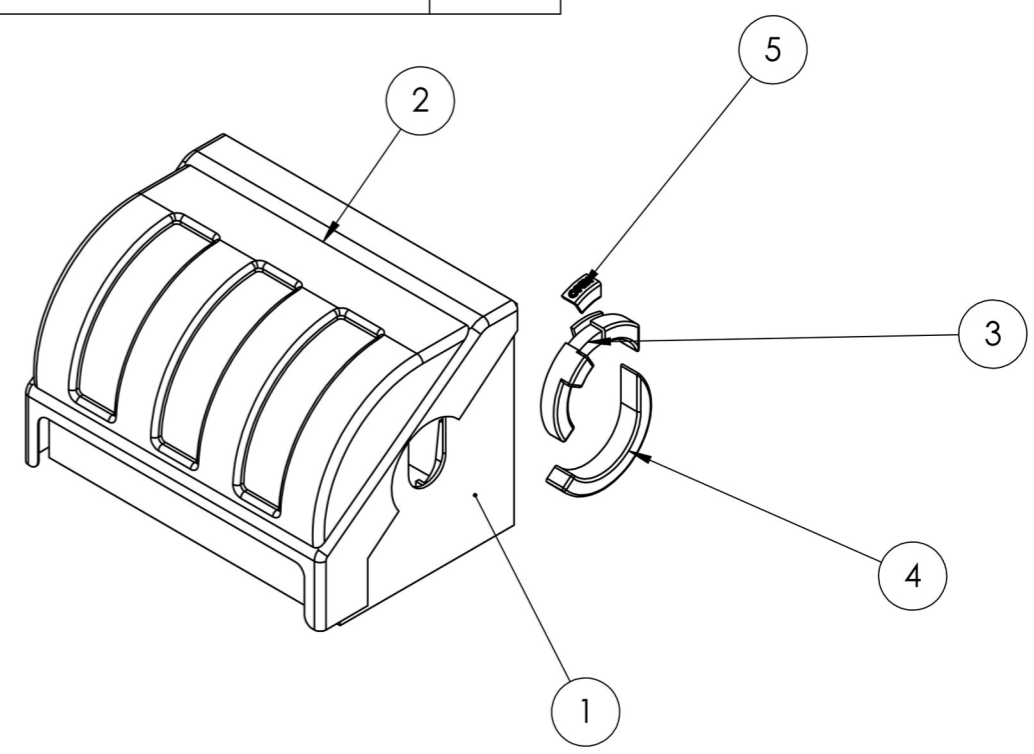
Adapted original dispenser- BOM

Adapted original dispenser +3D printed parts

3D Printing options -
Material- ABS/PLA
Resolution- 0.4 mm

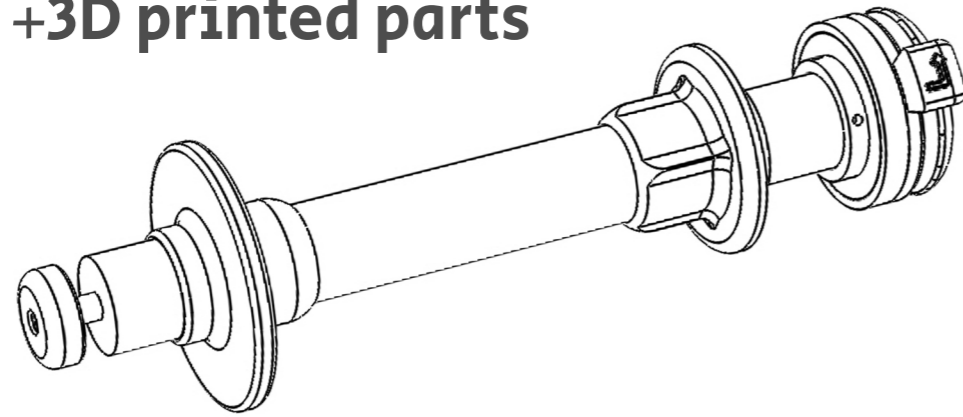


ITEM NO.	PART NUMBER	QTY.
1	original dispenser bottom part	1
2	Original dispenser top part	1
3	Outer circle- top	1
4	Outer circle- bottom	1
5	Open indication	1



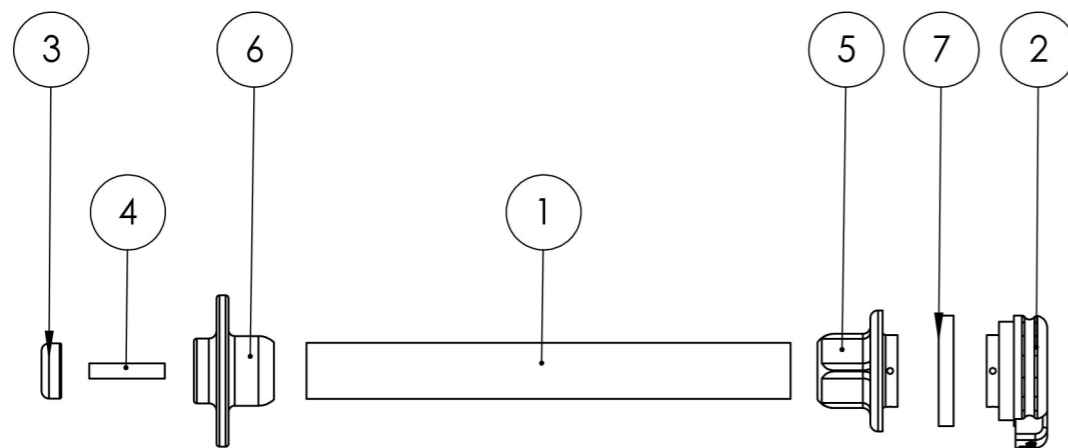
Main pole – BOM

Main pole +3D printed parts



ITEM NO.	PART NUMBER	QTY.
1	main wooden pole	1
2	handle	1
3	small stopper	1
4	small wooden stick	1
5	paper lock	1
6	helper	1
7	out indicator	1

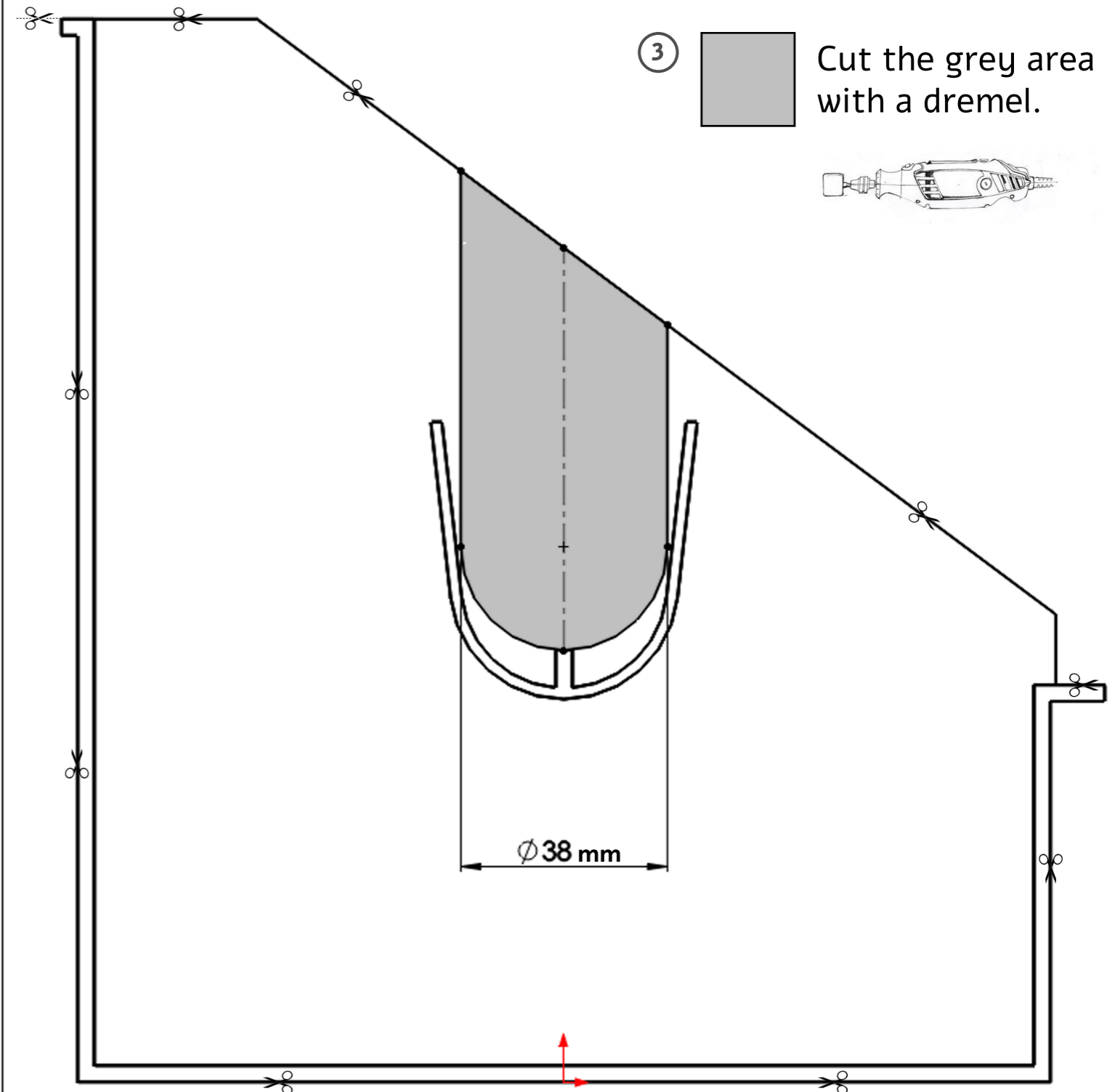
3D Printing options -
Material- ABS/PLA
Resolution- 0.4 mm



The instructions are based on a dispenser that is 306 mm width long and a paper roll with a 47 mm internal diameter. When using a different sized dispenser the main pole must be changed accordingly. And when using a paper roll with a different internal diameter size, parts 5 and 6 must be changed accordingly as well.

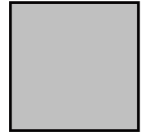
Step 1- Cutting the original dispenser

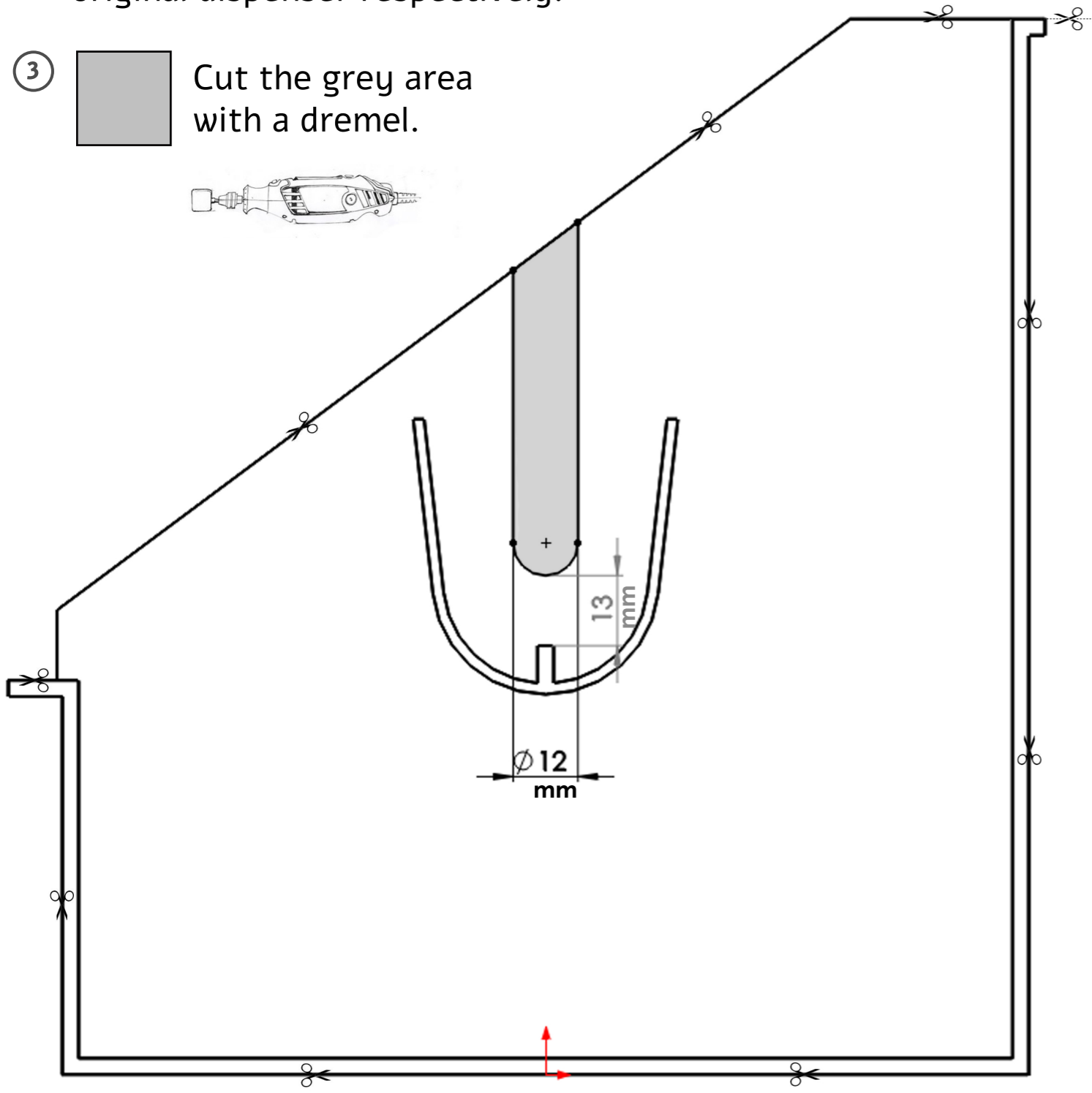
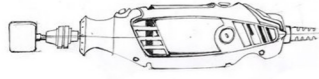
- 1 Print this sheet (paper size- A4) and cut the picture as seen in the instructions below.
- 2 Put the picture on the internal side of the original dispenser respectively.



Step 2- Cutting the original dispenser


- 1 Print this sheet (paper size- A4) and cut the picture as seen in the instructions below.
- 2 Put the picture on the internal side of the original dispenser respectively.

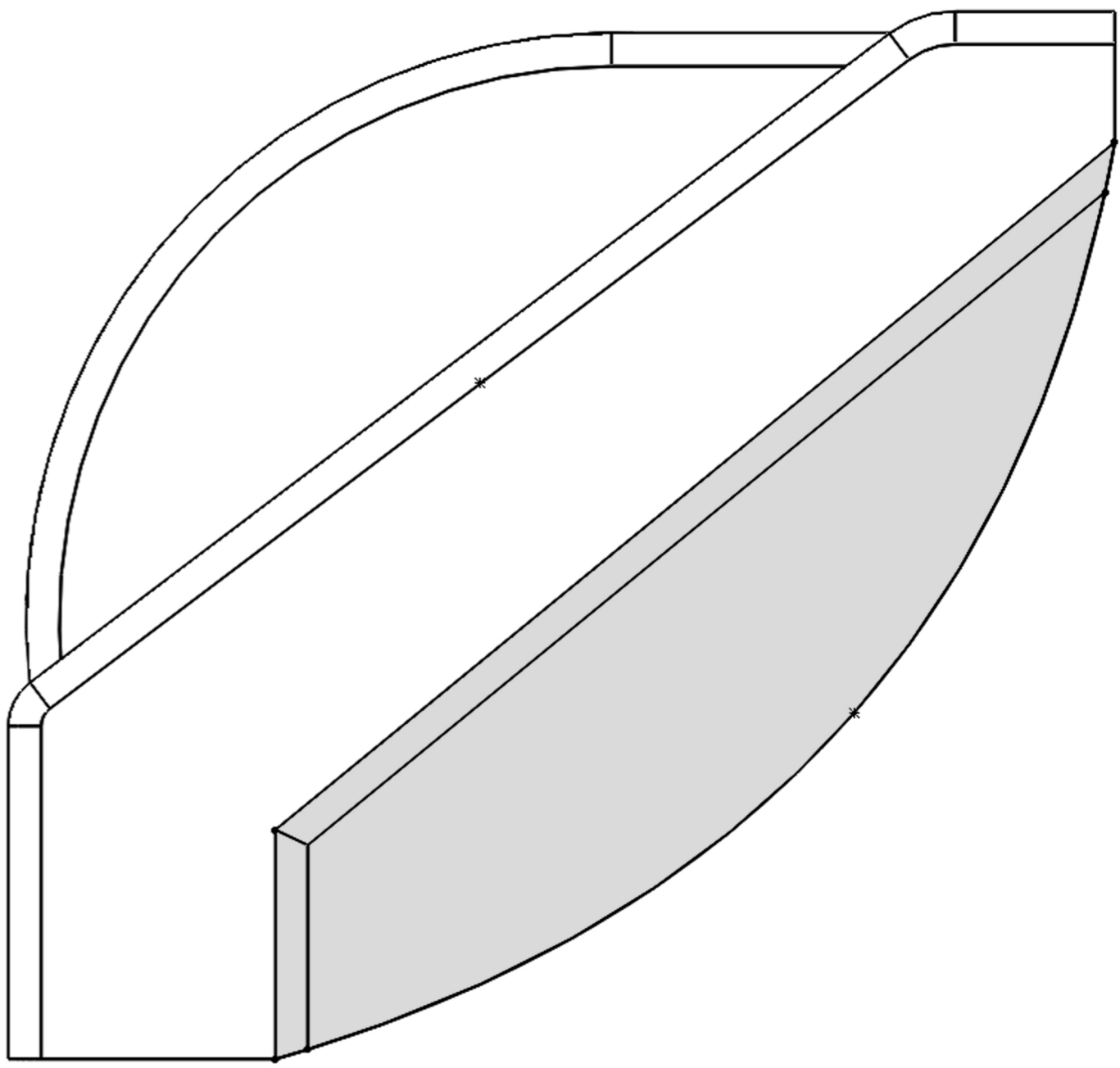
3  Cut the grey area with a dremel.



Step 3- Cutting the original dispenser


This step refers to the top part of the original dispenser.

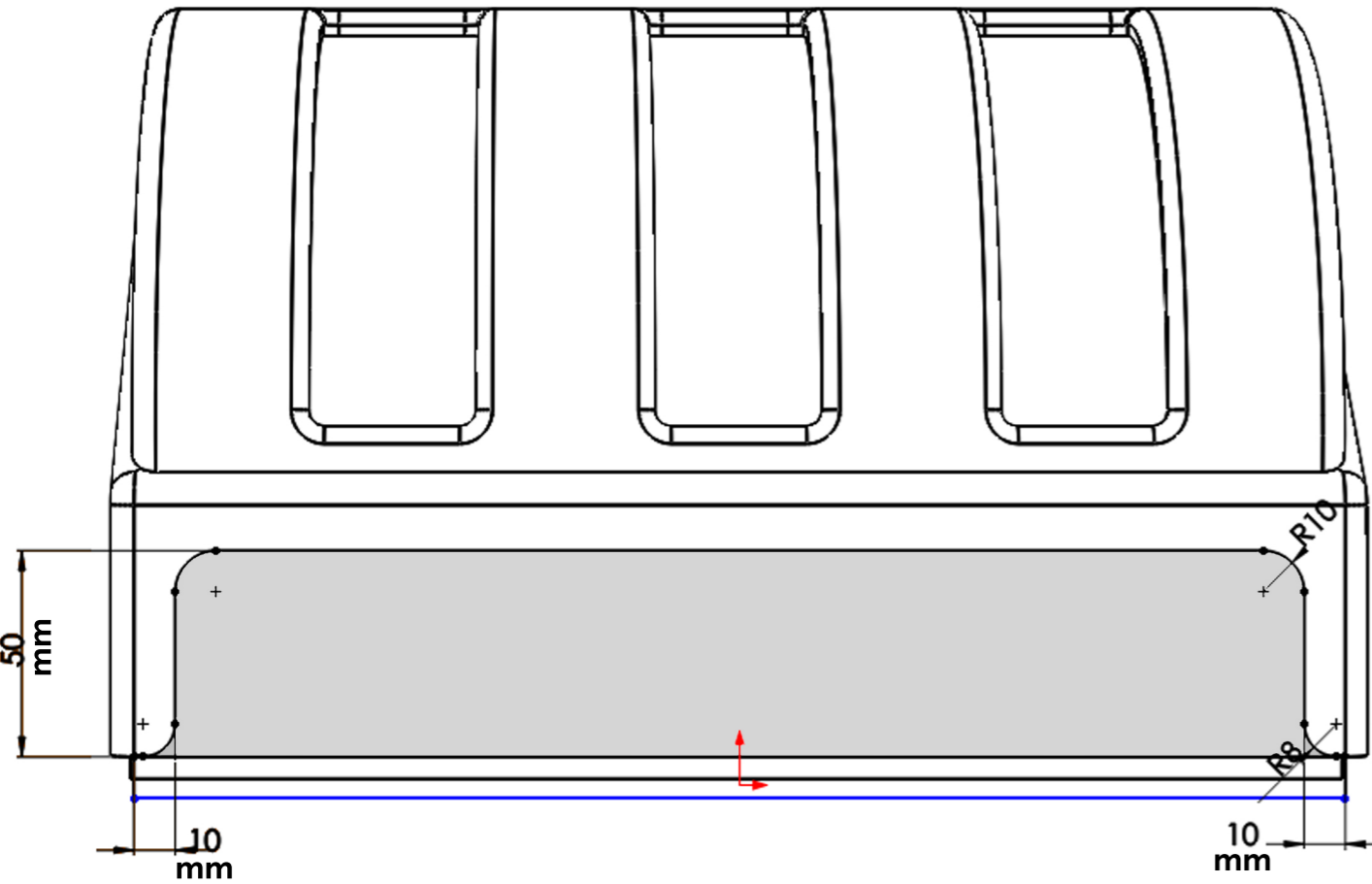
 Cut the grey area of the external part respectively with a dremel.



Step 4- Cutting the original dispenser


This step refers to the top part of the original dispenser.

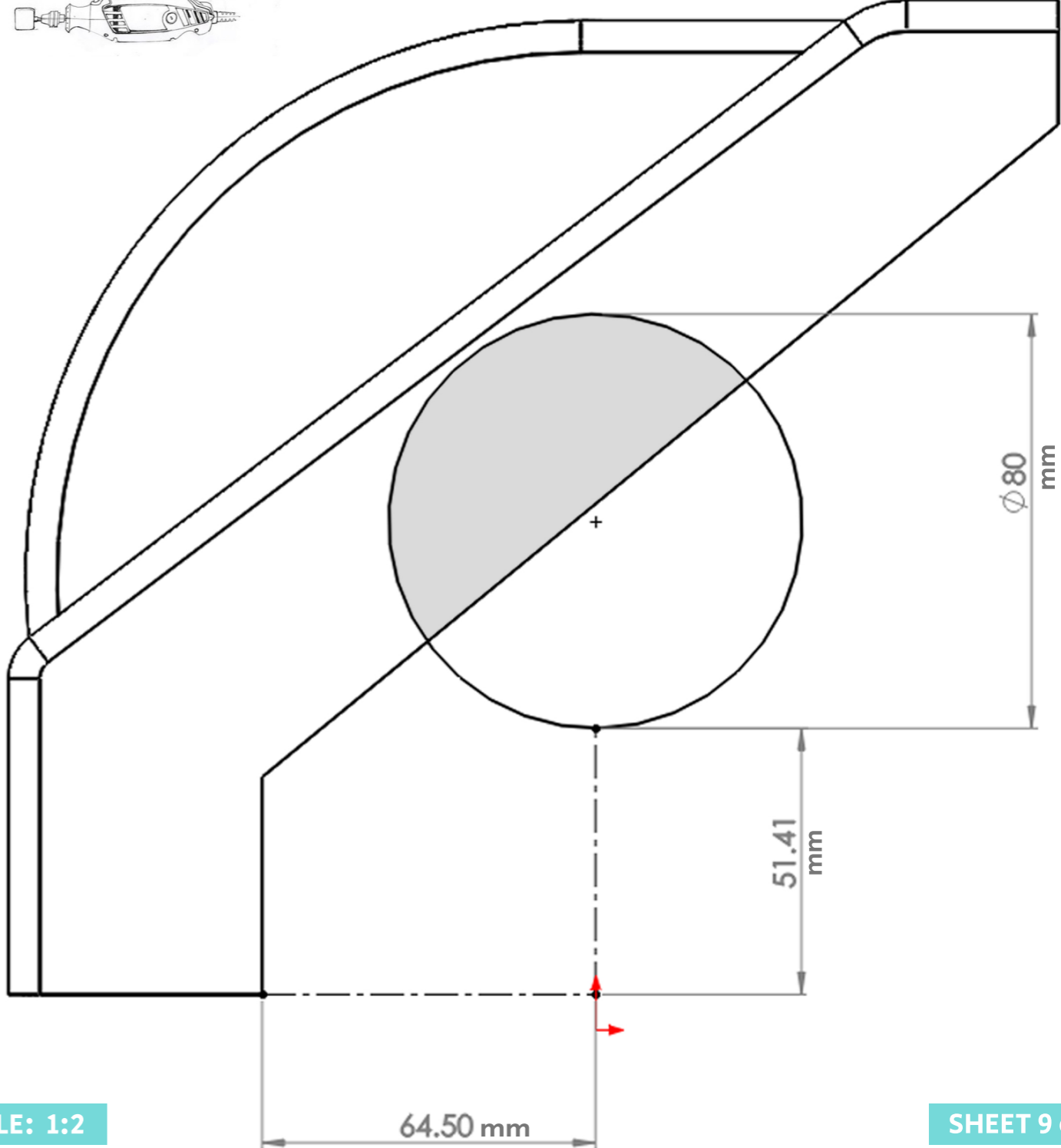
 Cut the grey area of the external part respectively with a dremel.



Step 5- Cutting the original dispenser


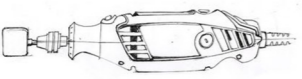
This step refers to the top part of the original dispenser.

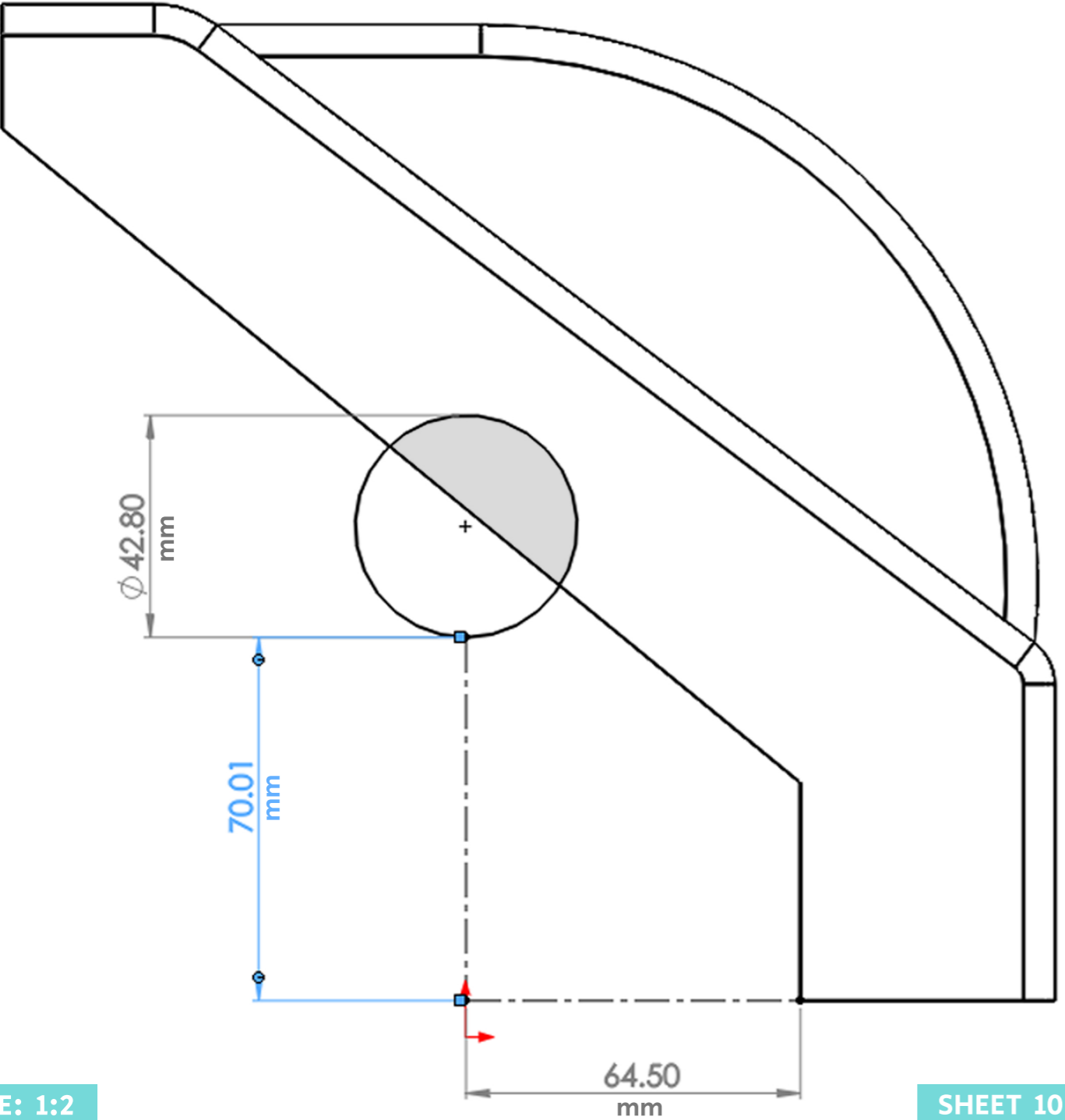
 Cut the grey area of the external part respectively with a dremel.



Step 6- Cutting the original dispenser

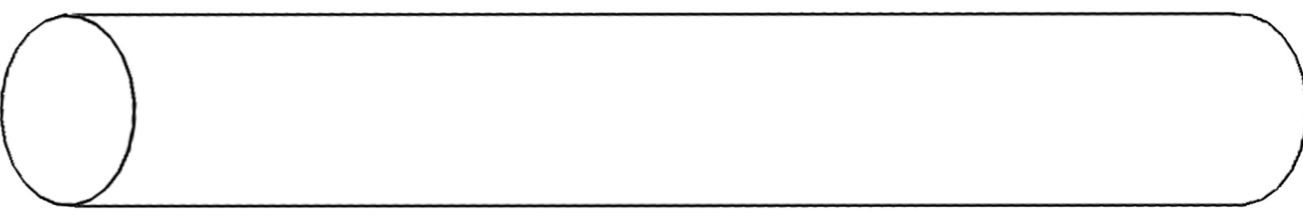
This step refers to the top part of the original dispenser.

 Cut the grey area of the external part respectively with a dremel. 

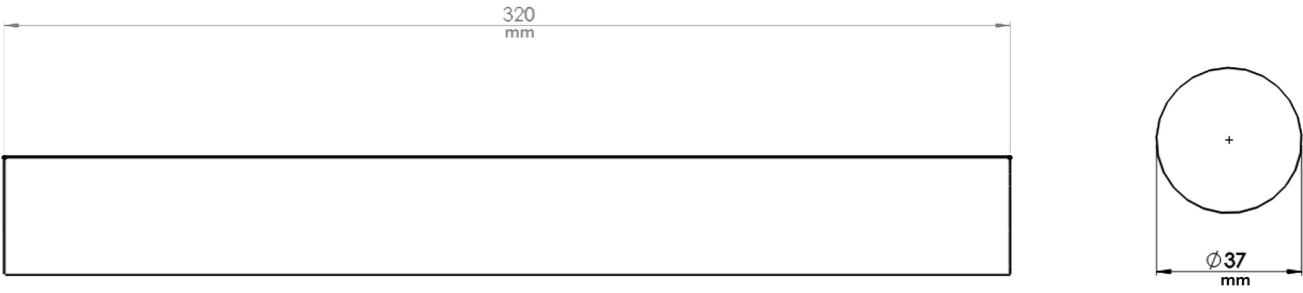


Step 7- Making the main pole

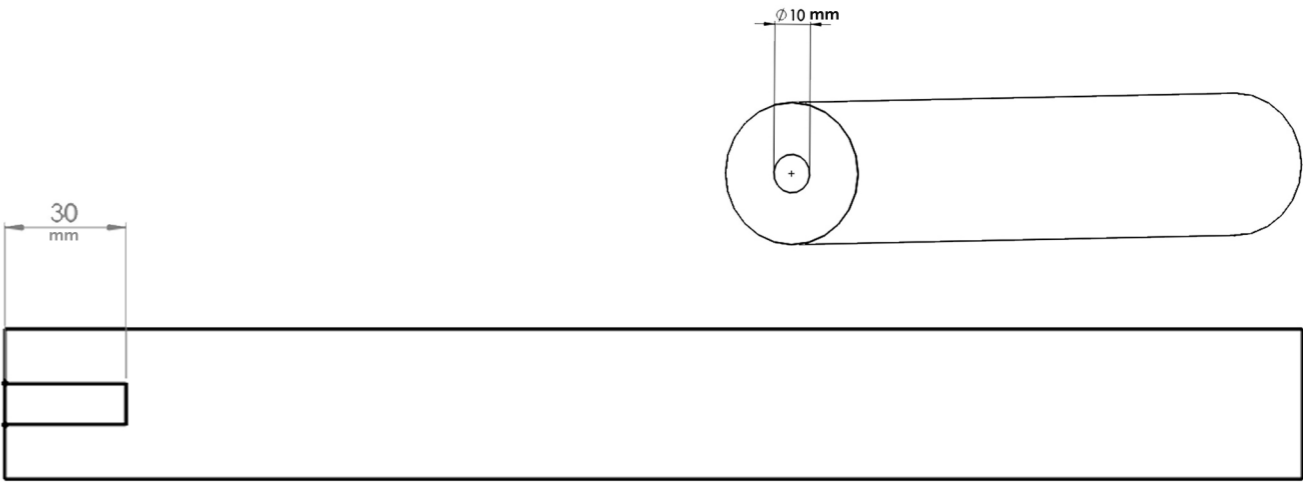
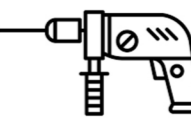
① Use a wooden stick for the main pole-



Wooden stick size-

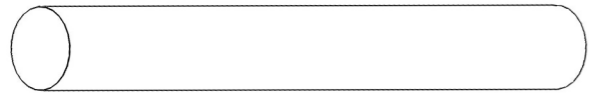


② Drill a hole in one of the sides-

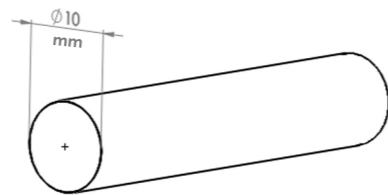
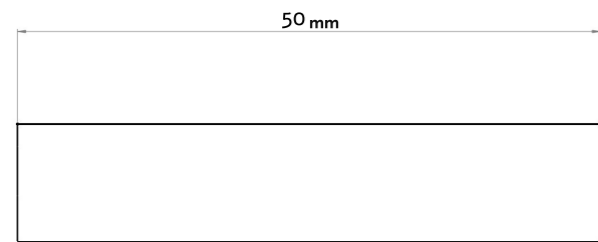


Step 8- Making the main pole

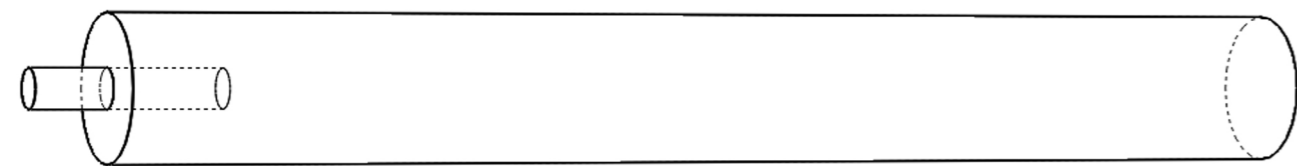
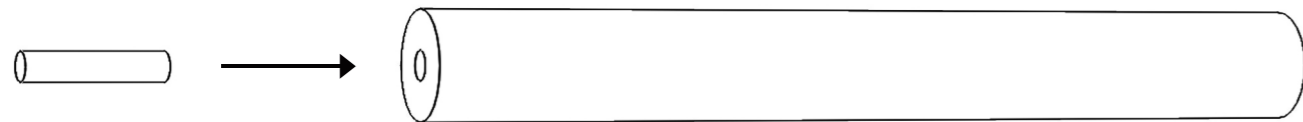
- ① Use a small wooden stick.



Dibel size-

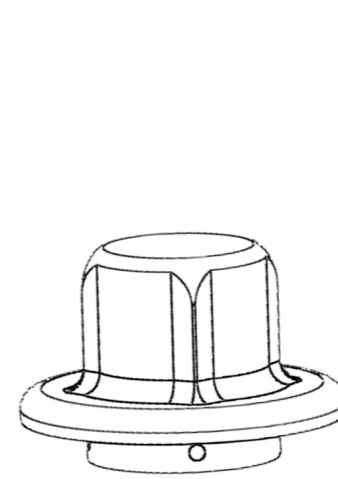


- ② Stick the small wooden stick inside the hole of the big wooden pole. Use glue to hold it inside.

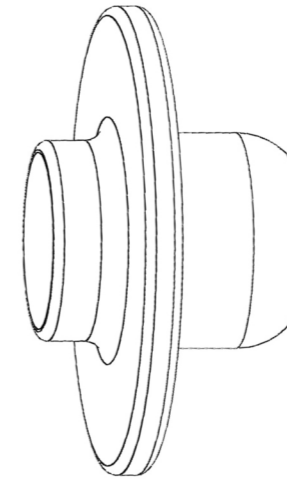


Step 9- 3D Printing

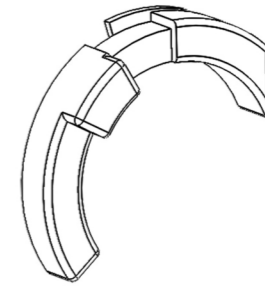
- ① Print with 3D printer the attached files- first color



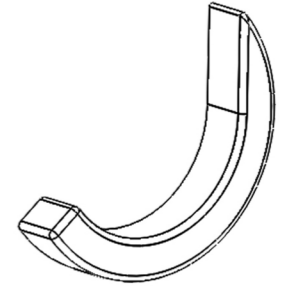
Paper lock



Helper

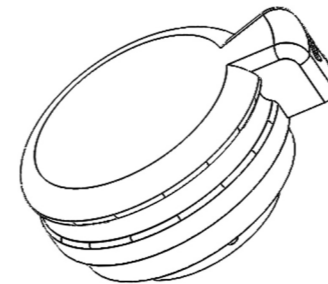


Outer circle- top



Outer circle- bottom

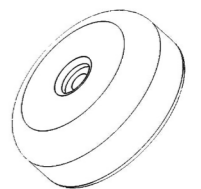
- ② Print with 3D printer the attached files- second color



Handle

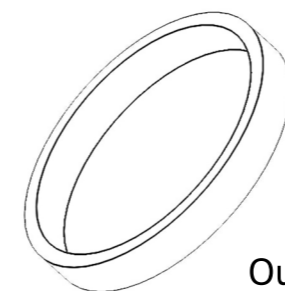


Open indication



Small stopper

- ③ Print with 3D printer the attached file- third color

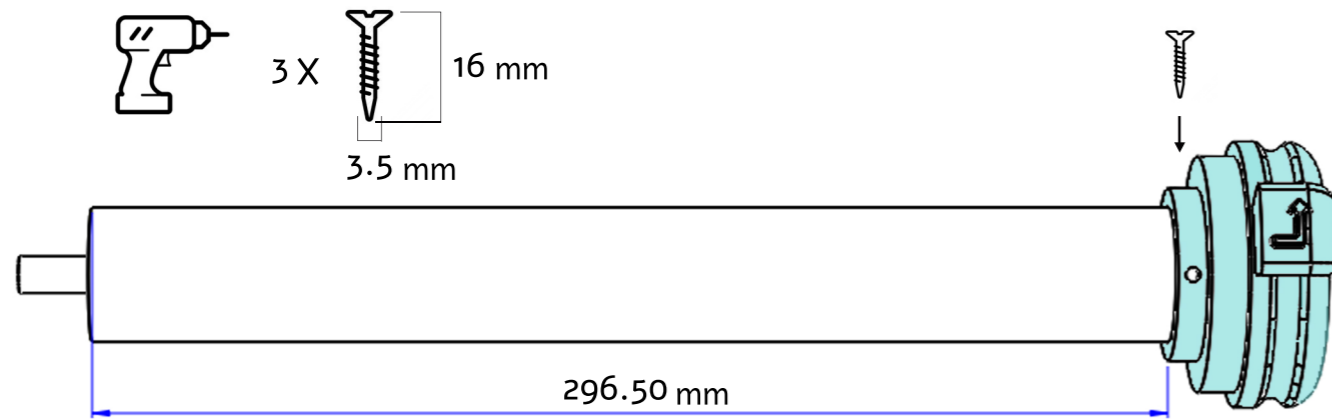


Out indicator

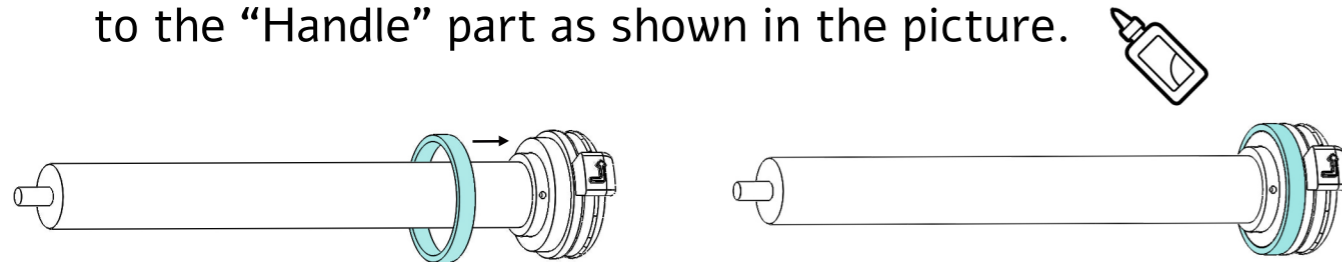
3D Printing options -
Material- ABS/PLA
Resolution- 0.4 mm

Step 10- Attaching the 3D Printed parts to the main pole

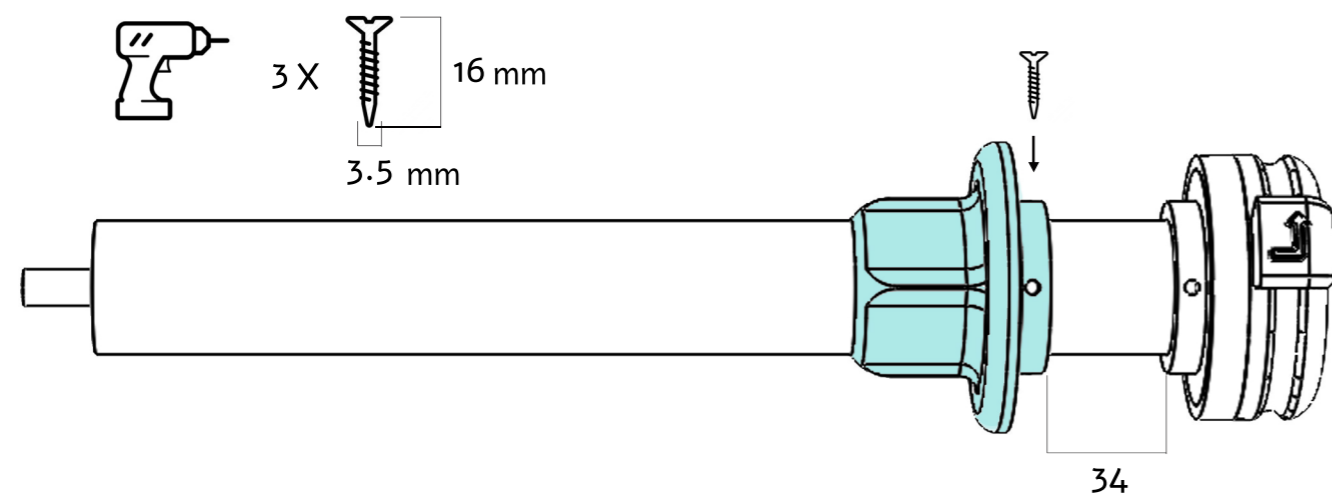
- ① Use an electric screwdriver and 3 screws to attach the “Handle” part to the right side of the main pole.



- ② Use “Super glue” to attach the “Out indicator” part to the “Handle” part as shown in the picture.

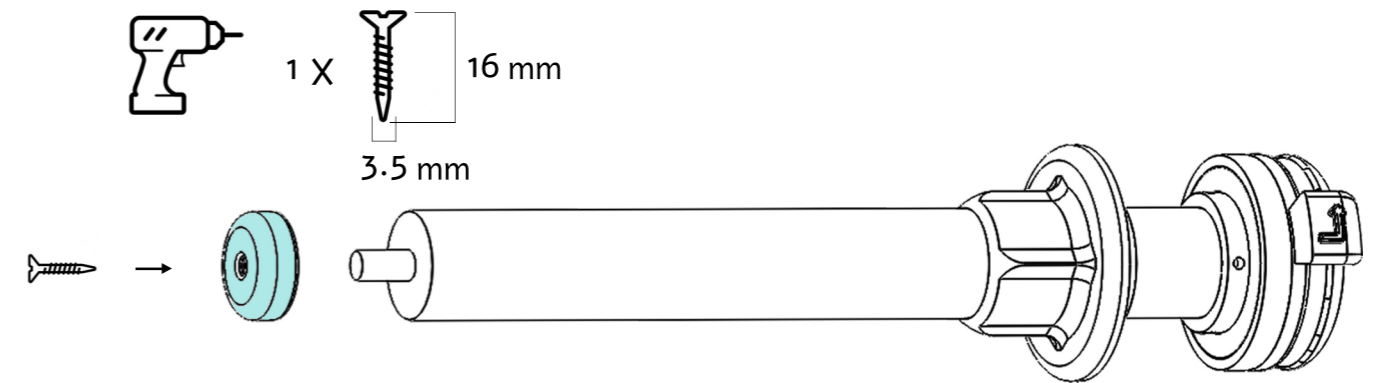


- ③ Use an electric screwdriver and 3 screws to attach the “Paper lock” part to the main pole.

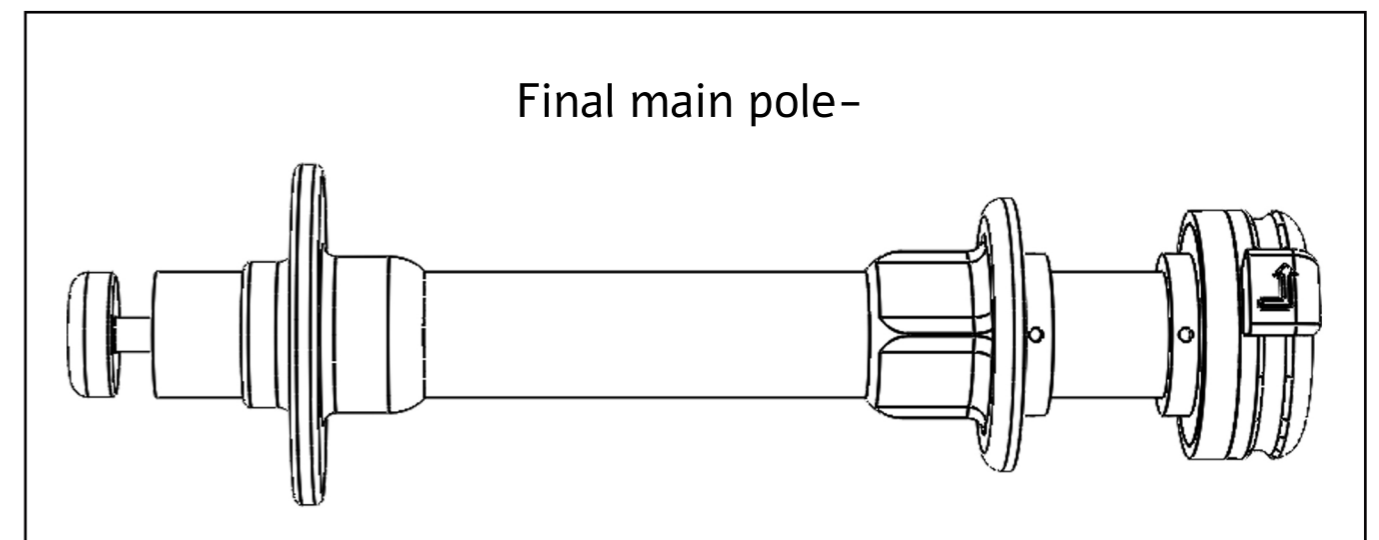
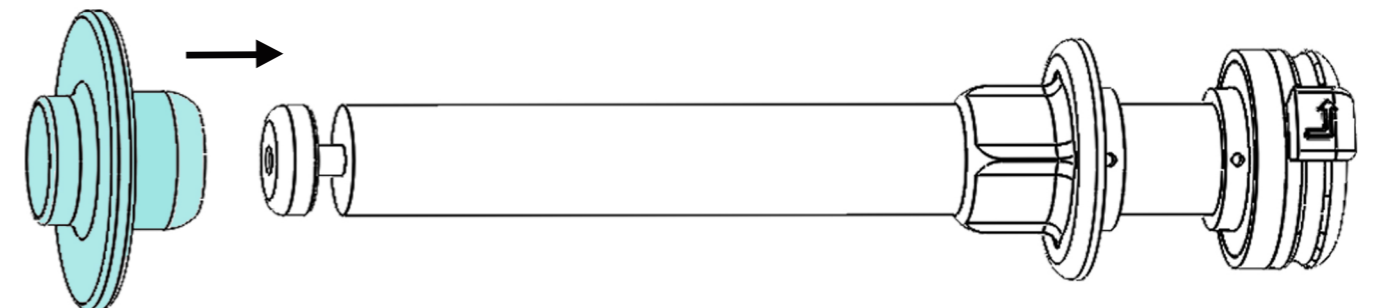


Step 11- Attaching the 3D Printed parts to the main pole

- ④ Use an electric screwdriver and 1 screw to attach the “Small stopper” part to the left side of the small wooden stick.

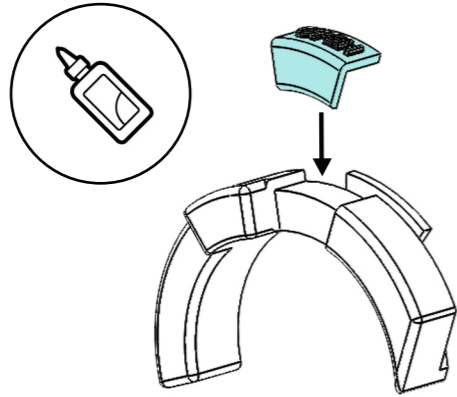


- ⑤ Slide the “Helper” part on the main pole as shown in the picture.

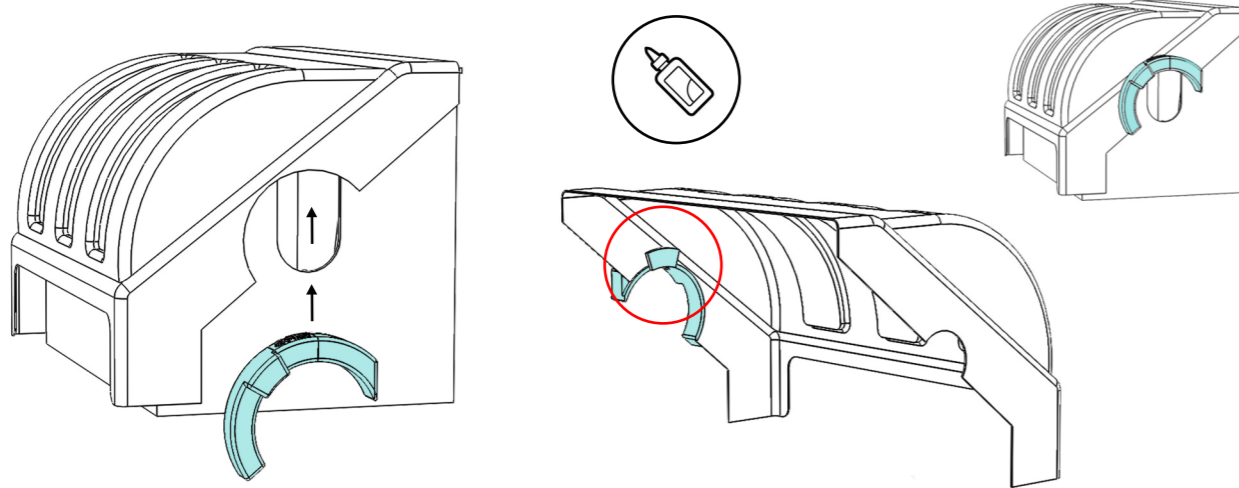


Step 12- Attaching the 3D Printed parts to the original dispenser

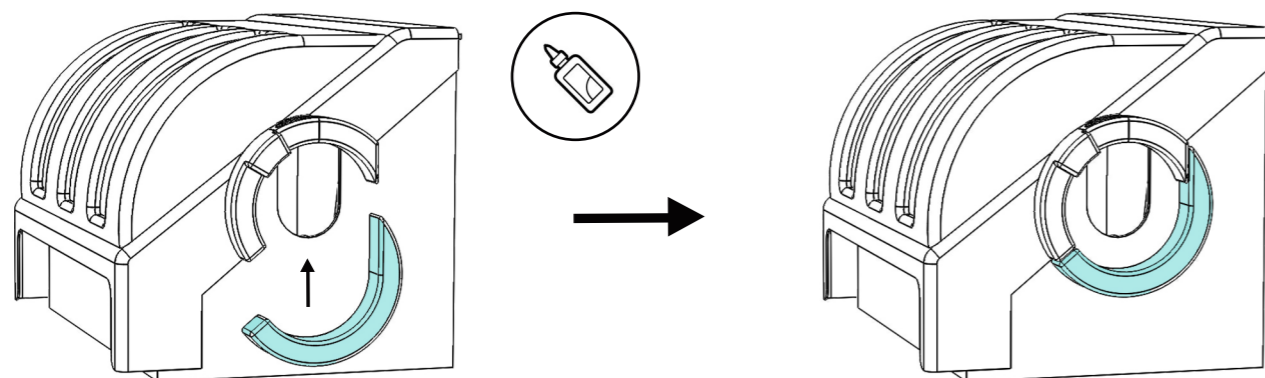
- 1 Use "Super glue" to attach the "Open indication" part to the "Outer circle- top" part as shown in the picture.



- 2 Use "Super glue" to attach the "Outer circle- top" part to the original dispenser as shown in the picture.

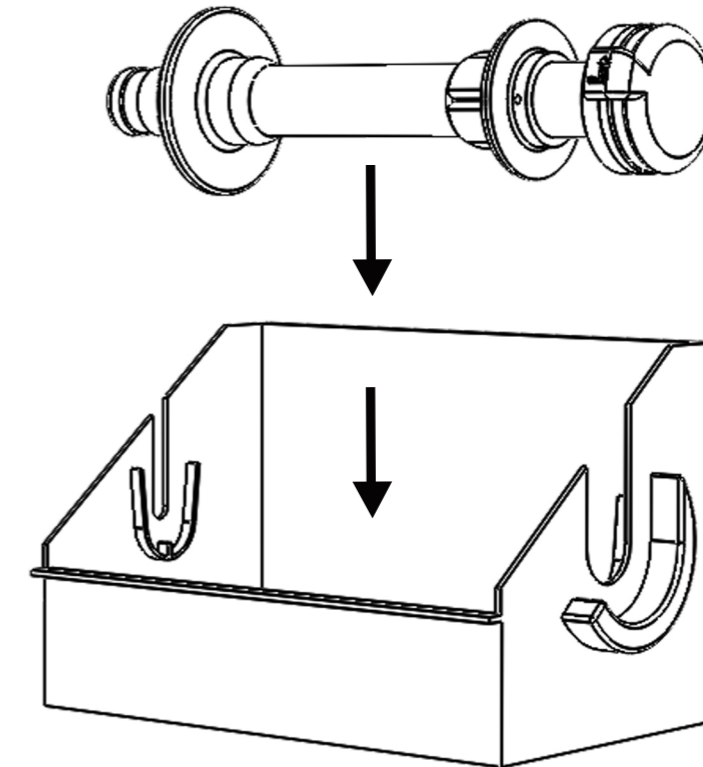


- 3 Use "Super glue" to attach the "Outer circle- bottom" part to the original dispenser as shown in the picture.



Step 13- Combining the 2 main parts

Insert the main pole inside the adapted paper dispenser



Final adapted paper dispenser-

