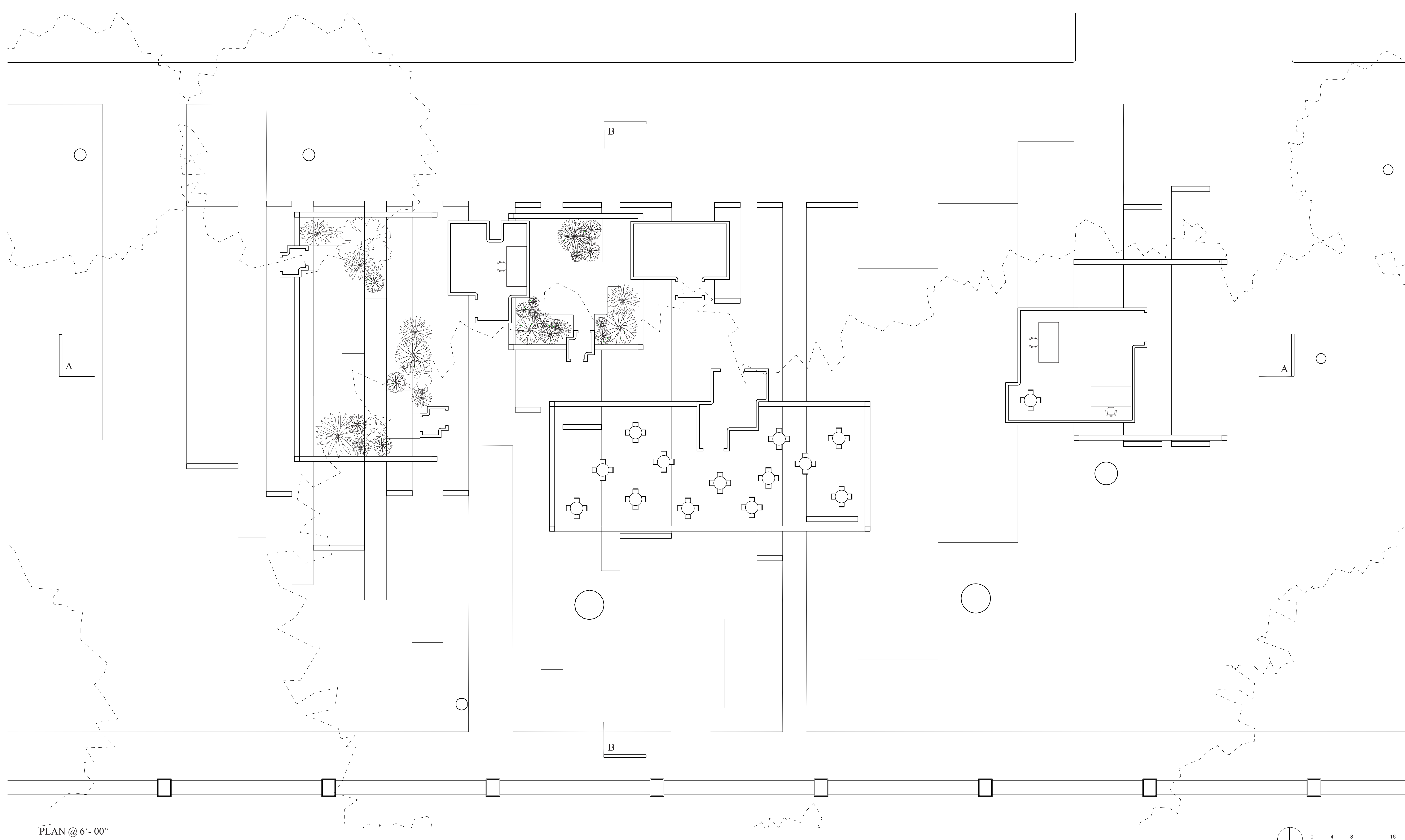
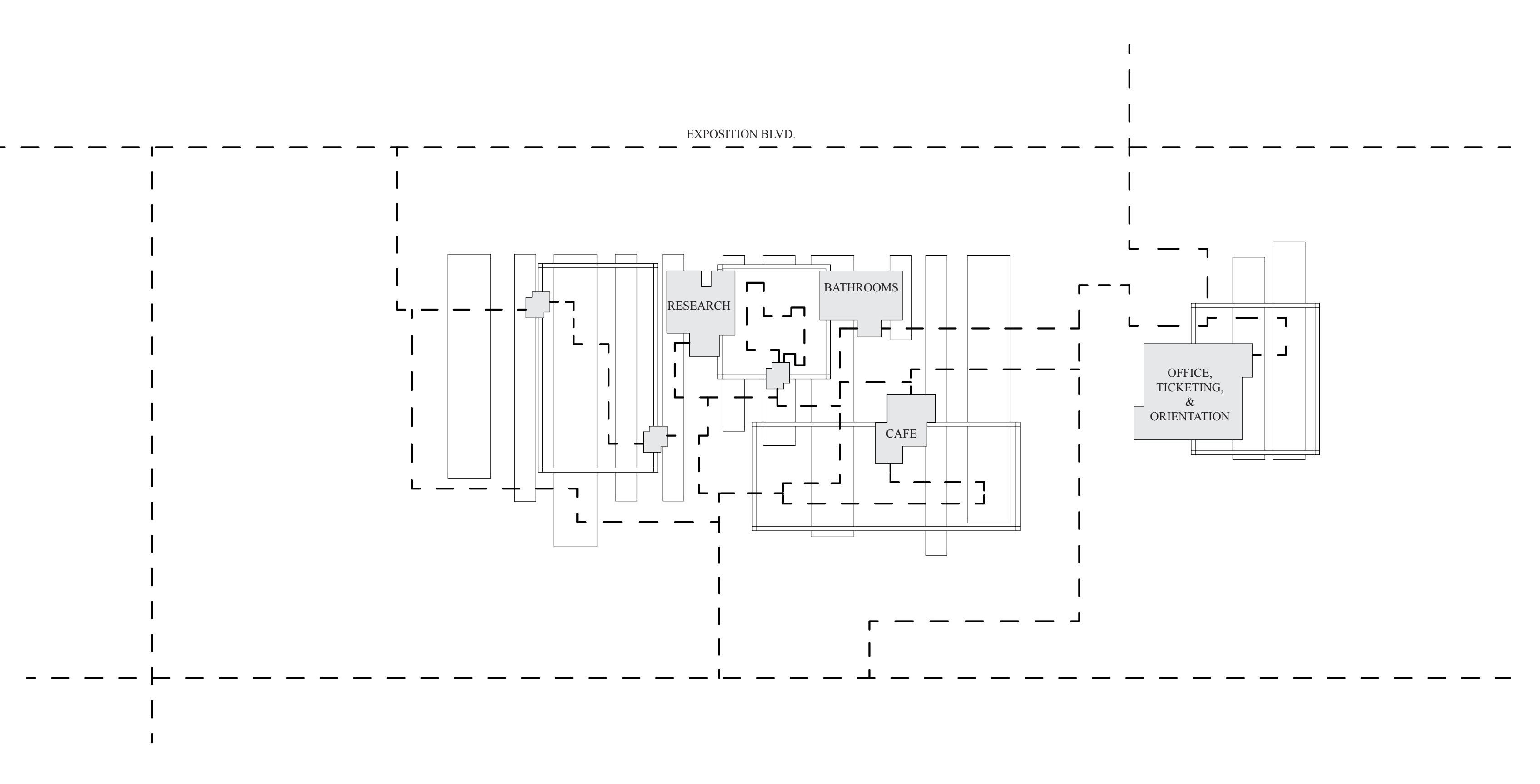
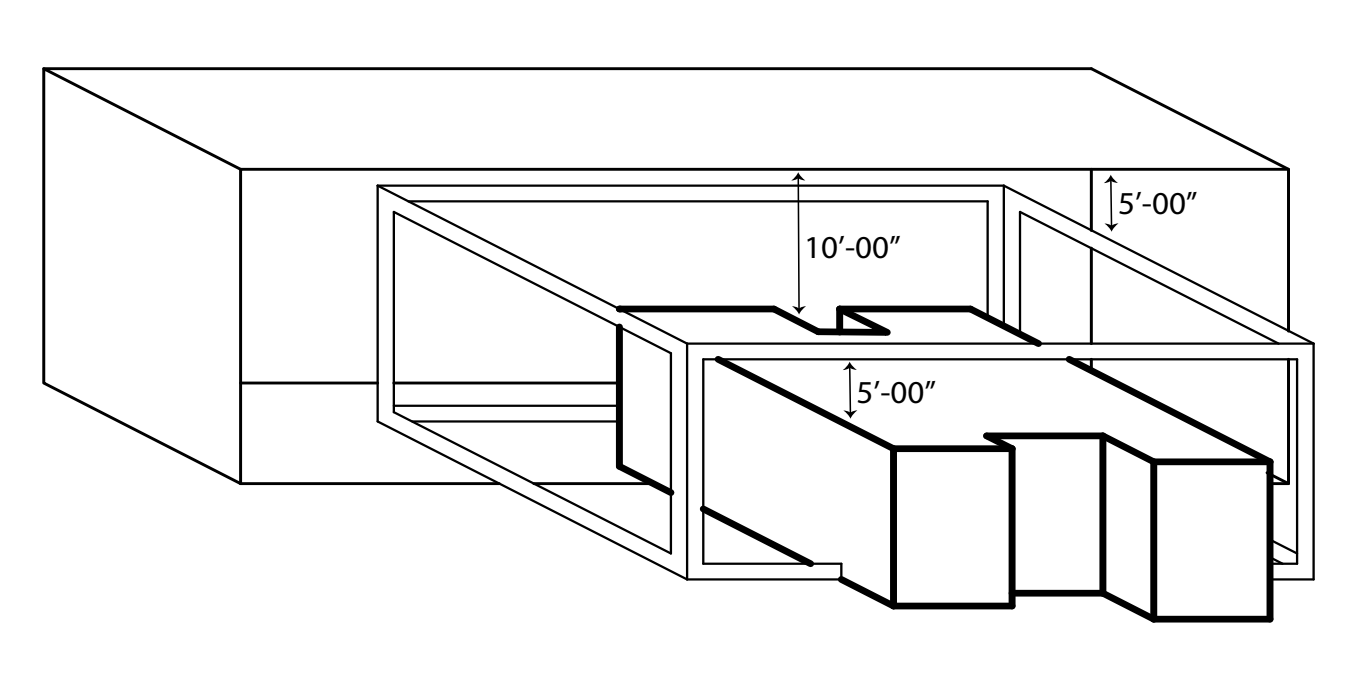
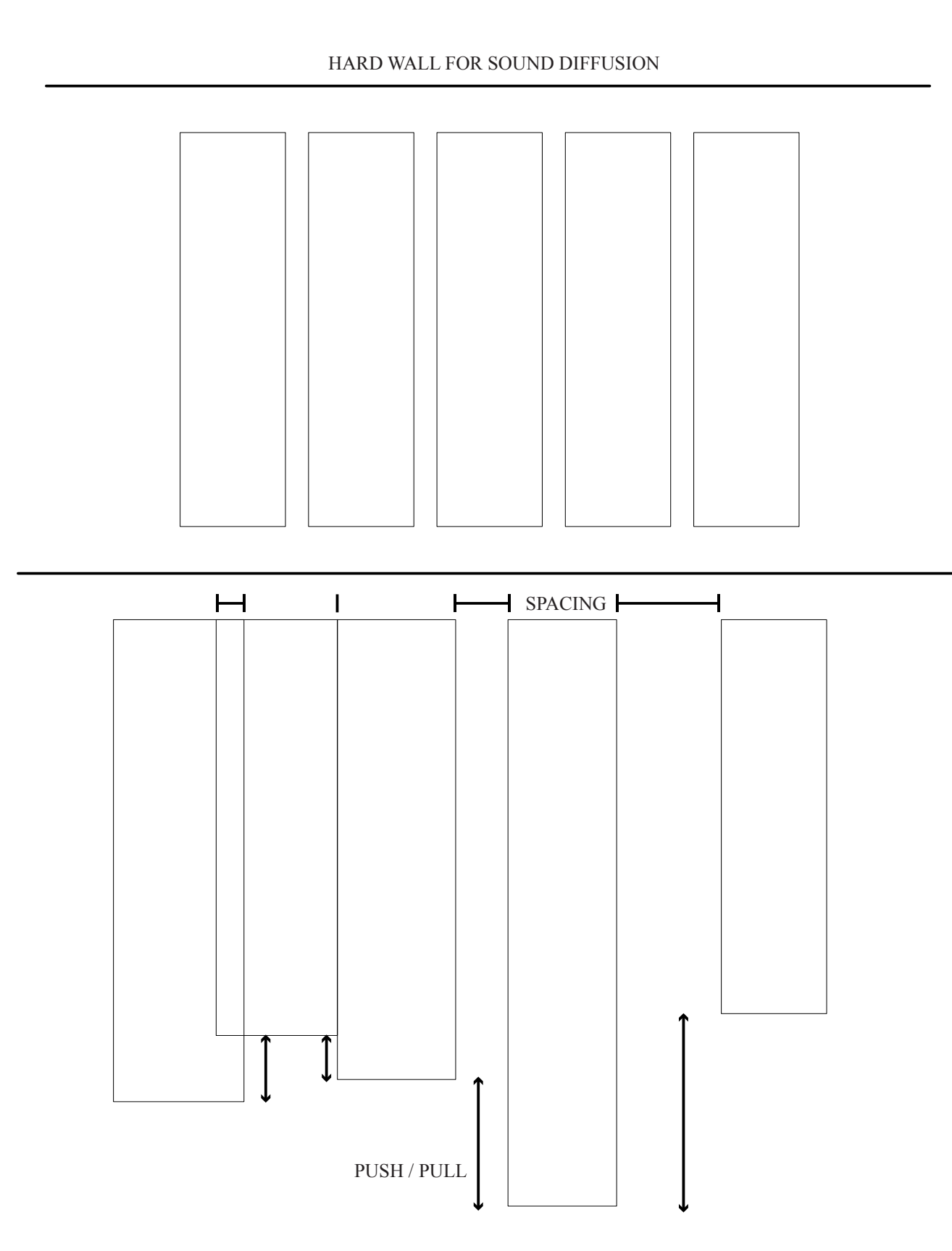
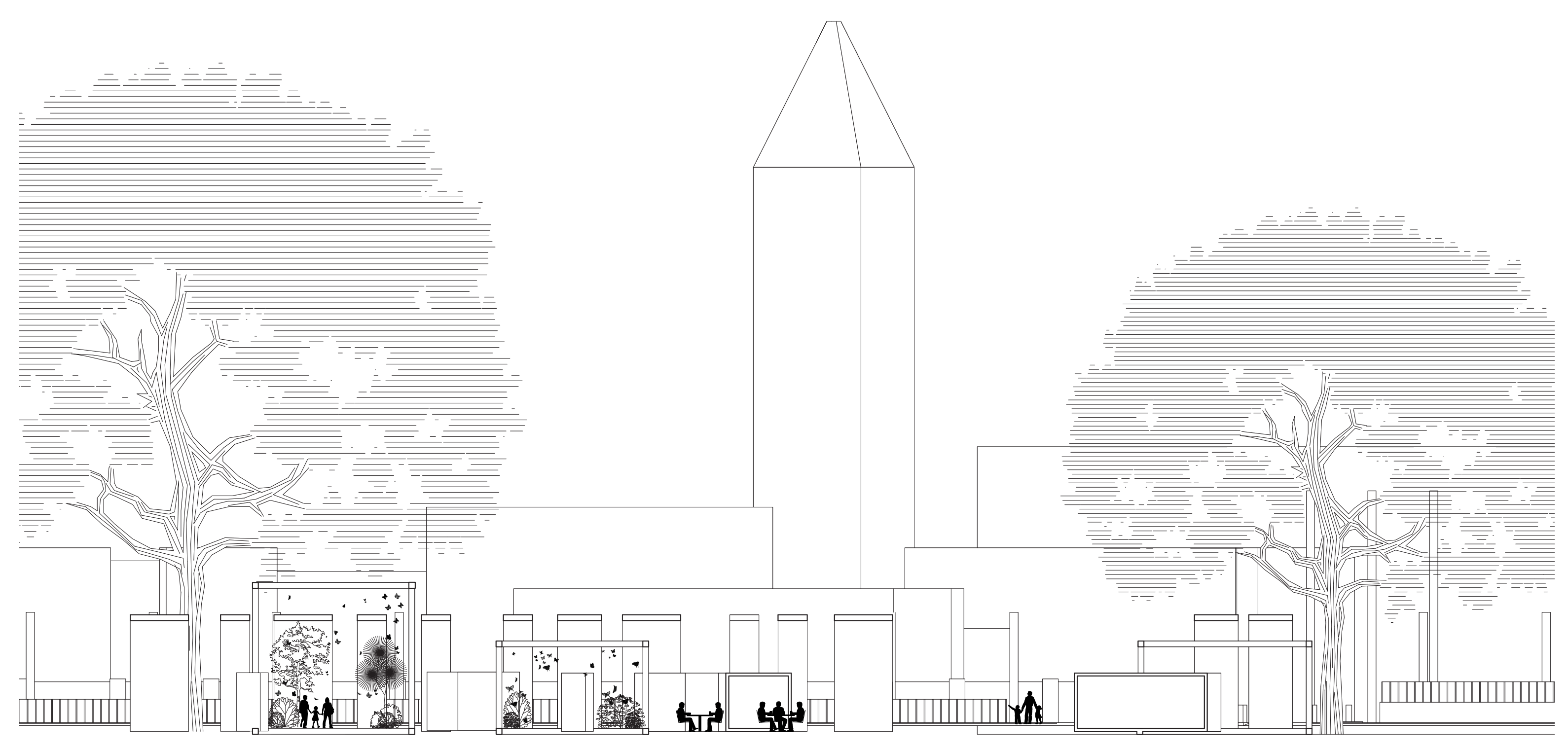


PLAN @ 30'-00"



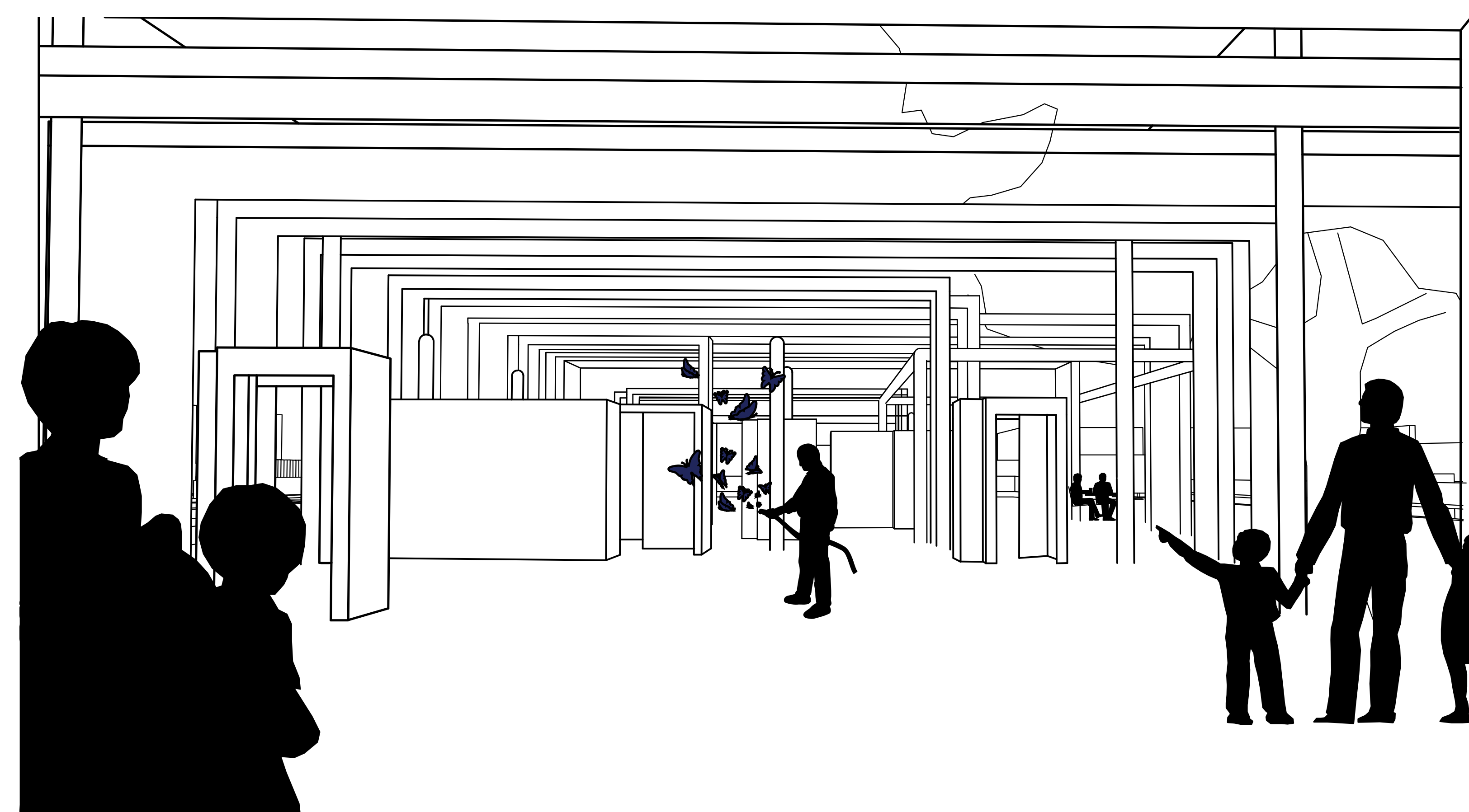
PLAN @ 6'-00"



SECTION A - A



SECTION B - B



INTERIOR PERSPECTIVE



SOUTHERN PERSPECTIVE