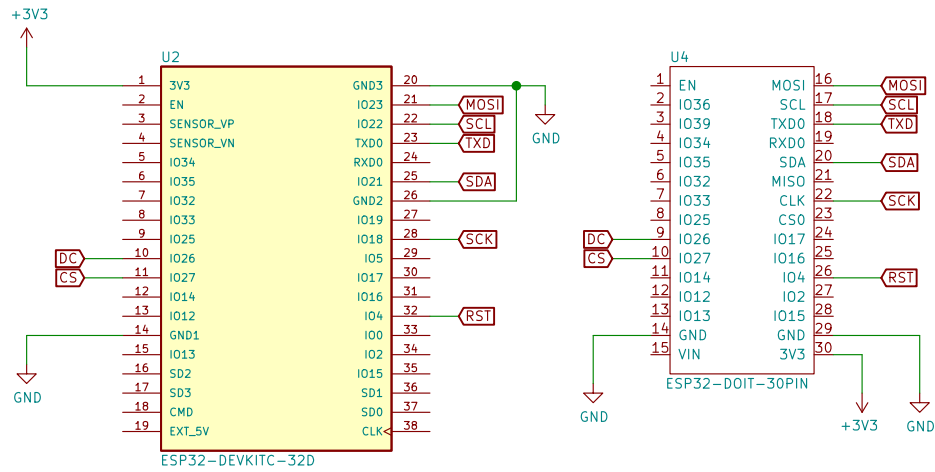
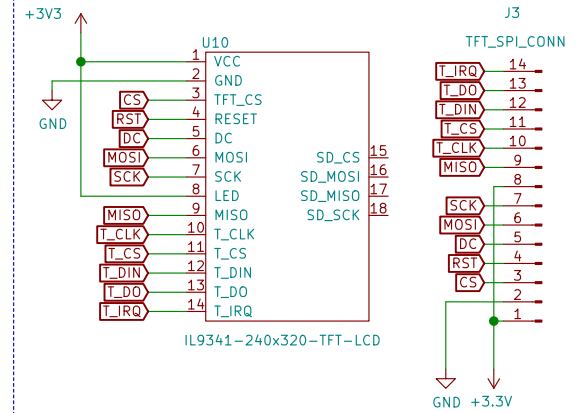


EXPRESSIF ESP32 DEVELOPMENTS BOARD AND NEAR SIMILAR BOARDS

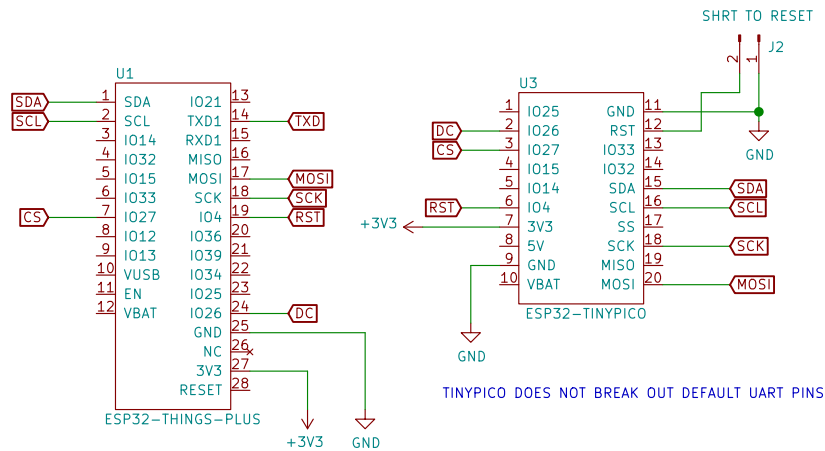


NOTE: IF TESTING THESE WIDE DEVS ON A BREADBOARD, CHANGE GPIO FOR "CS" TO I05

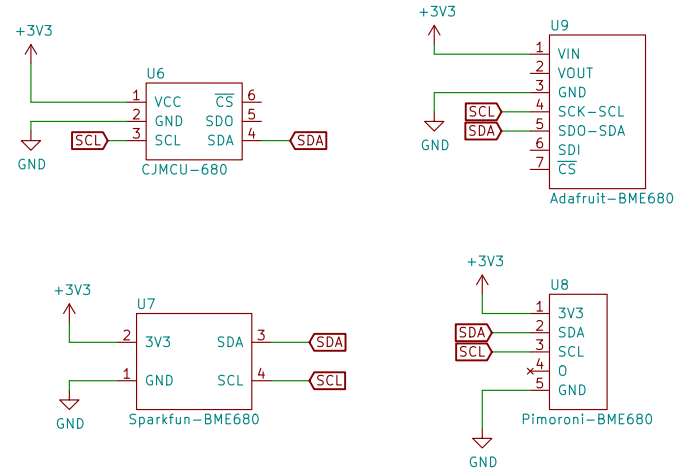
TFT SPI 240x320 IL9341 DISPLAY (lcdwiki.com) MODULE SKU:MSP2807



VARIOUS OTHER 'NOT-SO-EXPRESSIF' SIMILAR ESP32 DEVELOPMENT BOARDS



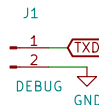
I2C BREAKOUT BOARDS WITH BOSCH BME680 SENSOR



GPIO PIN NUMBER DEFINITION FOR ESP32 ARDUINO LIBRARY TFT\_eSPI

```
#define TFT_MOSI 23
// #define TFT_MISO N/A
#define TFT_SCLK 18
#define TFT_CS 27 // FOR WIDE BOARDS USE GPIO5, IF TESTING ON BREADBOARD
#define TFT_DC 26 // FOR WIDE BOARDS USE GPIO2, IF TESTING ON BREADBOARD
#define TFT_RST 4
```

UART TX PORT FOR DEBUG



Design by Debinix  
License: CC BY-SA 4.0  
<https://creativecommons.org/licenses/by-sa/4.0/>

Sheet: /  
File: esp32-adapter.sch

**Title: The Amazing ESP32 Adapter Board v1.x**

Size: A4 Date: 2021-09-01

KiCad E.D.A. kicad 5.99.0+really5.1.10+dfsg1-1

Rev: 1.0

Id: 1/1