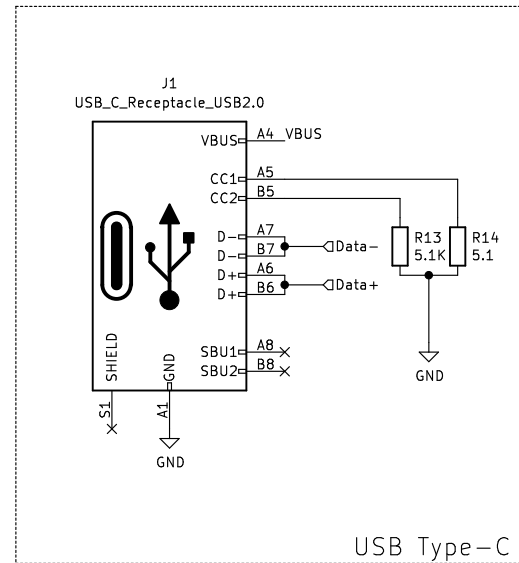
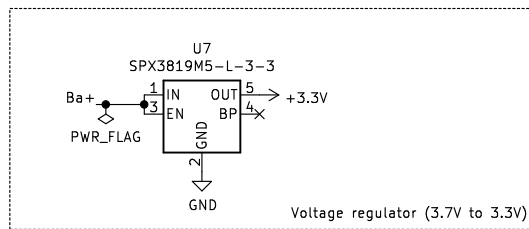
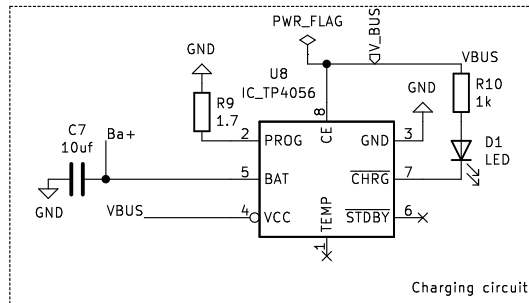
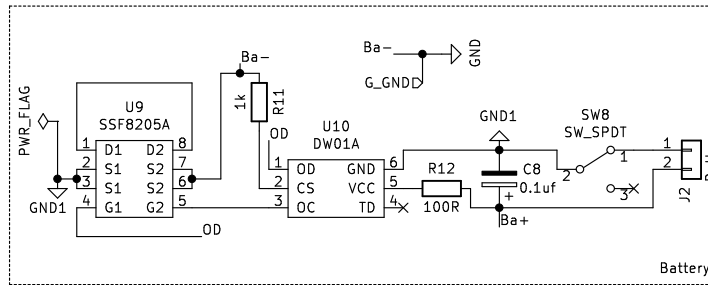


Sheet: /	
File: esp32 cam ble mouse.sch	
Title: Magnetic Ble Mouse	
Size: A4	Date: 2021-09-20
KiCad E.D.A. kicad (5.1.9)-1	Rev: v1
	Id: 1/2



Sheet: /battery management/
File: battery management.sch

Title:

Size: A4 Date:
KiCad E.D.A. kicad (5.1.9)-1

Rev:
Id: 2/2