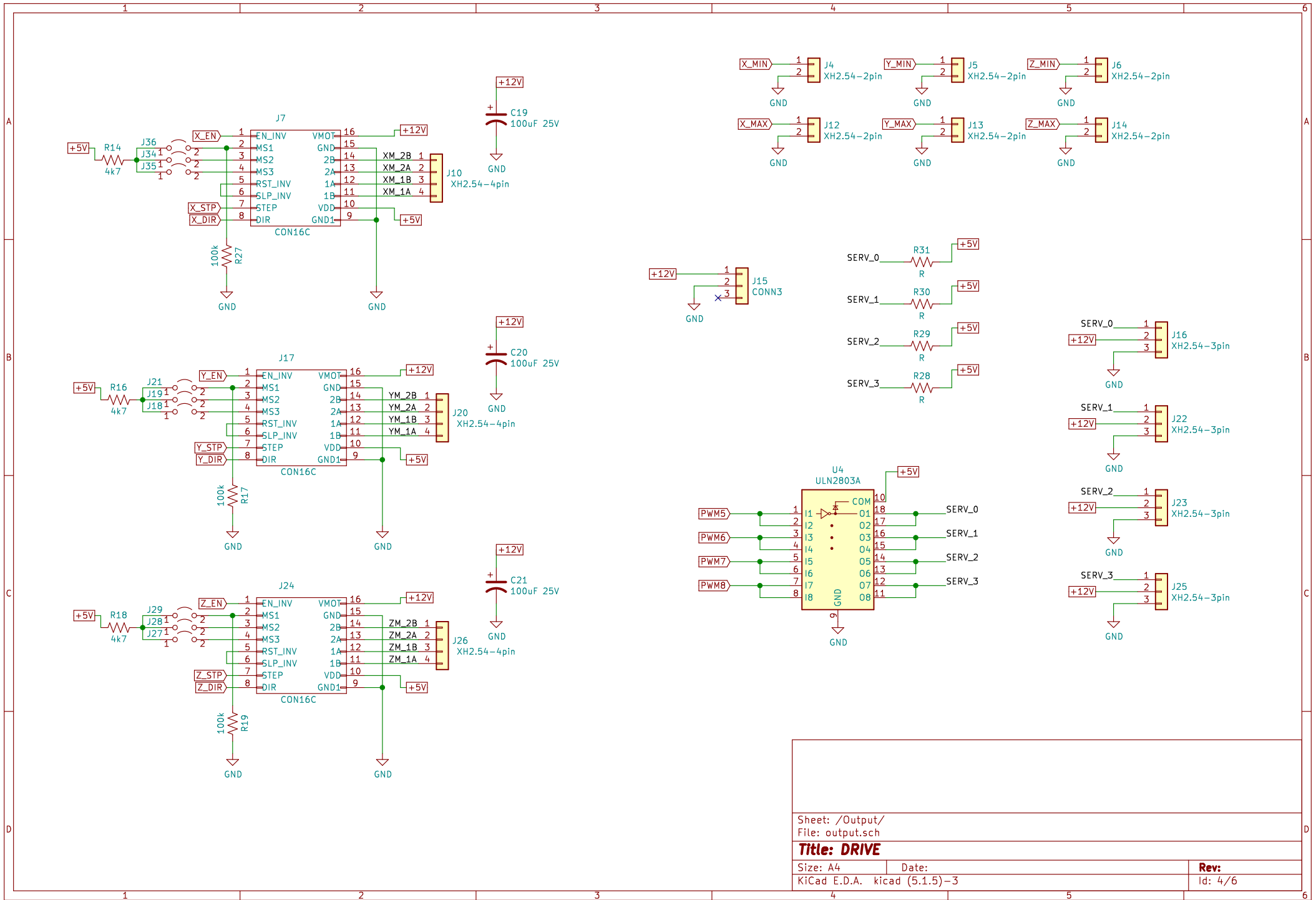
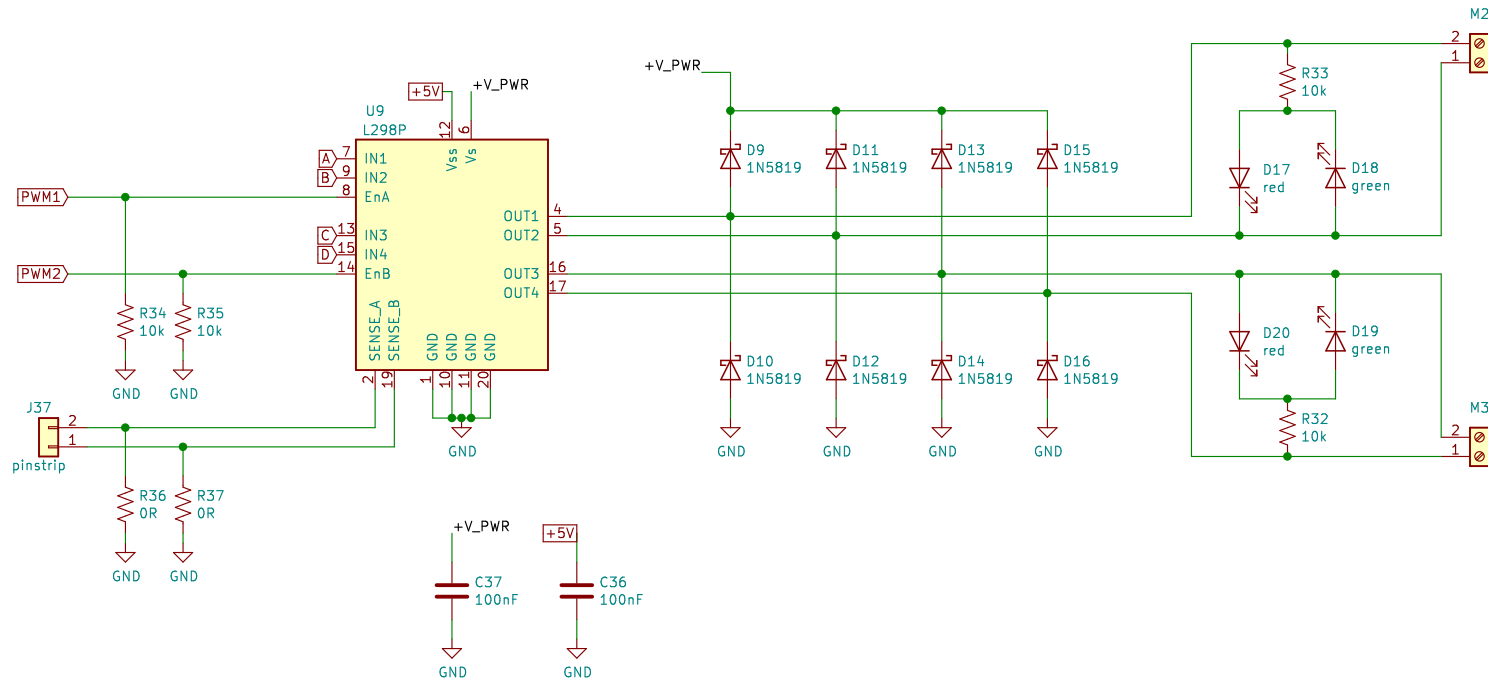
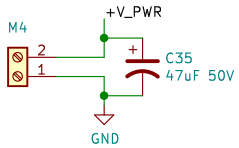


Sheet: /USB Port/		Date:	
File: usb_port.sch		Rev:	
Title: DRIVE		Id: 3/6	
Size: A4	KiCad E.D.A. kicad (5.1.5)-3		





Sheet: /Aggiunte/		Date:	
File: aggiunte.sch		Rev:	
Title: DRIVE			
Size: A4	KiCad E.D.A. kicad (5.1.5)-3	Id: 6/6	