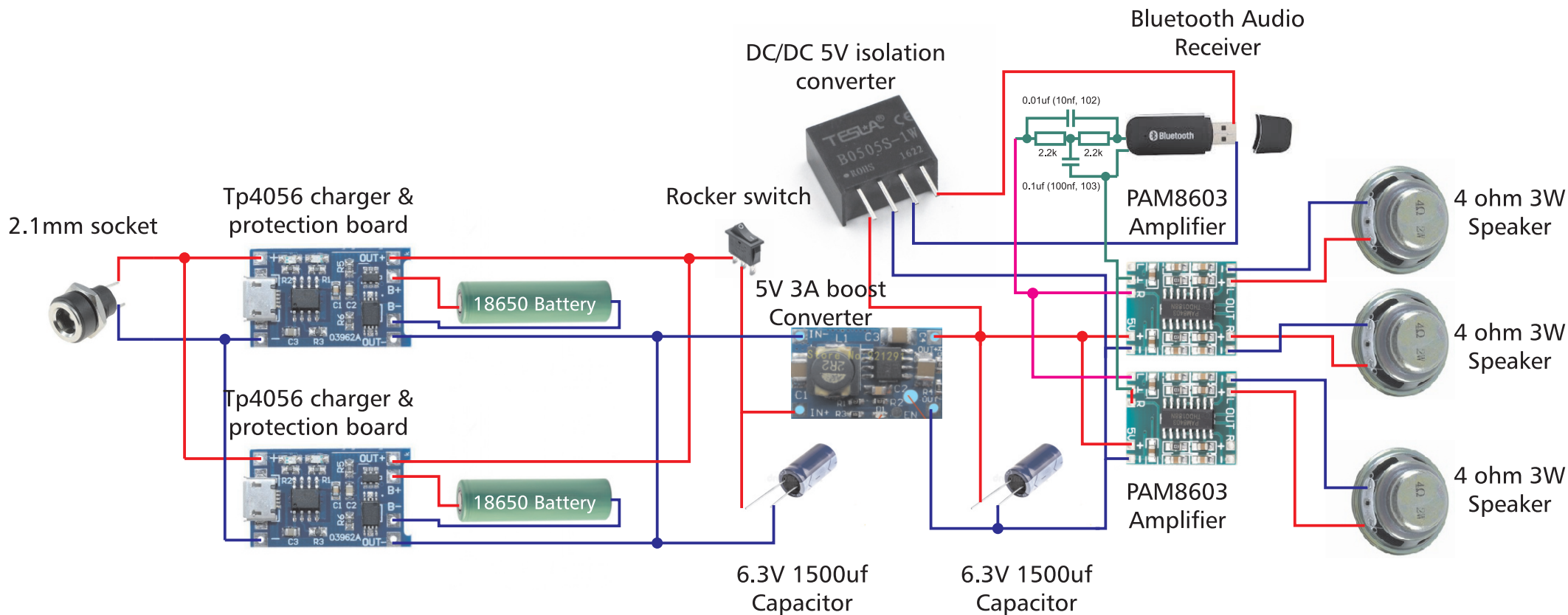


**DIY SPEAKER  
WITH BLUETOOTH  
USING OLD JEANS  
AND PALLET WOOD**

**CIRCUIT SCHEMATICS  
AND PARTS DRAWING**

# Circuit schematics

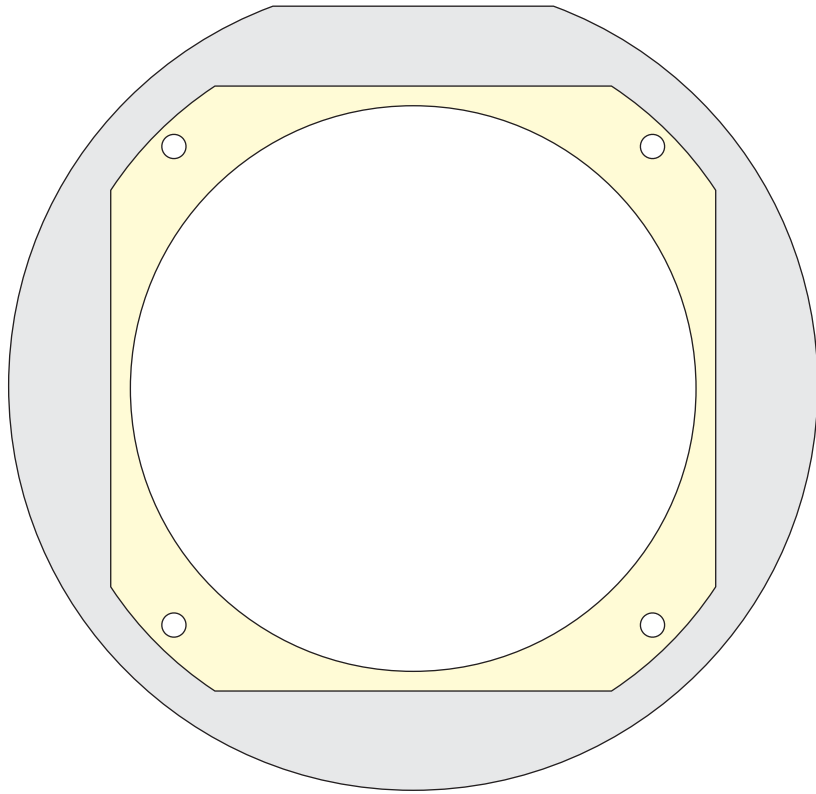


Additional assembly instructions:

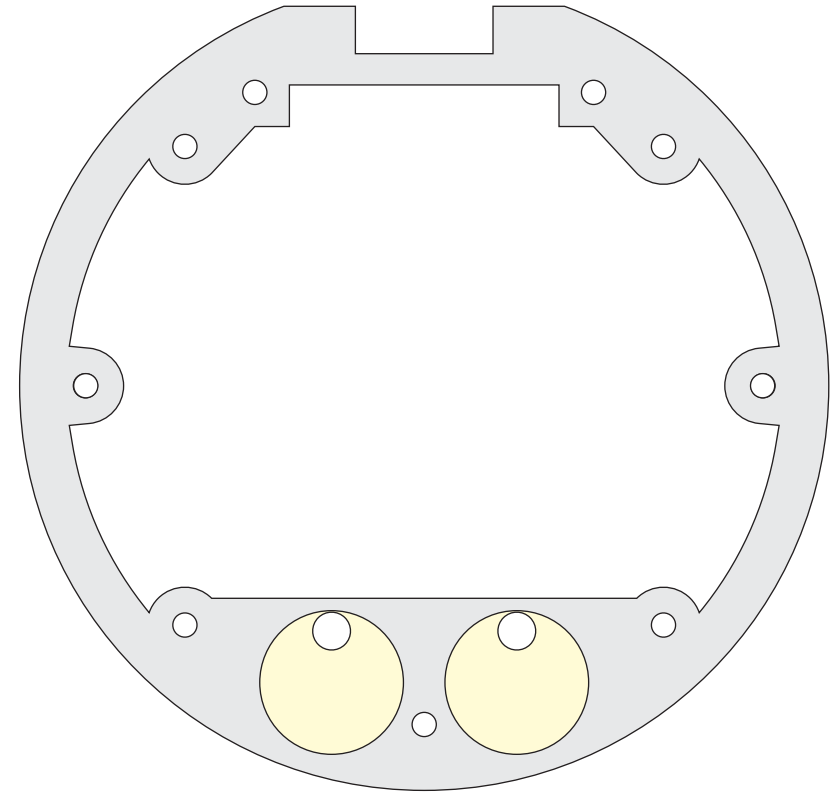
1. Connect batteries at the end, after all other connections are finished.
2. Check the battery charging LEDs - they should be red while charging and green after charge completed.
3. Wires connecting Bluetooth audio receiver and amplifier should be as short as possible and it is preferred to use shielded cable, or twist wires together.

# Parts drawings #1

All drawings are in 1:1 scale, can be CNCed directly



Passive radiator mounting frame



Battery housing rear part

Color legend:

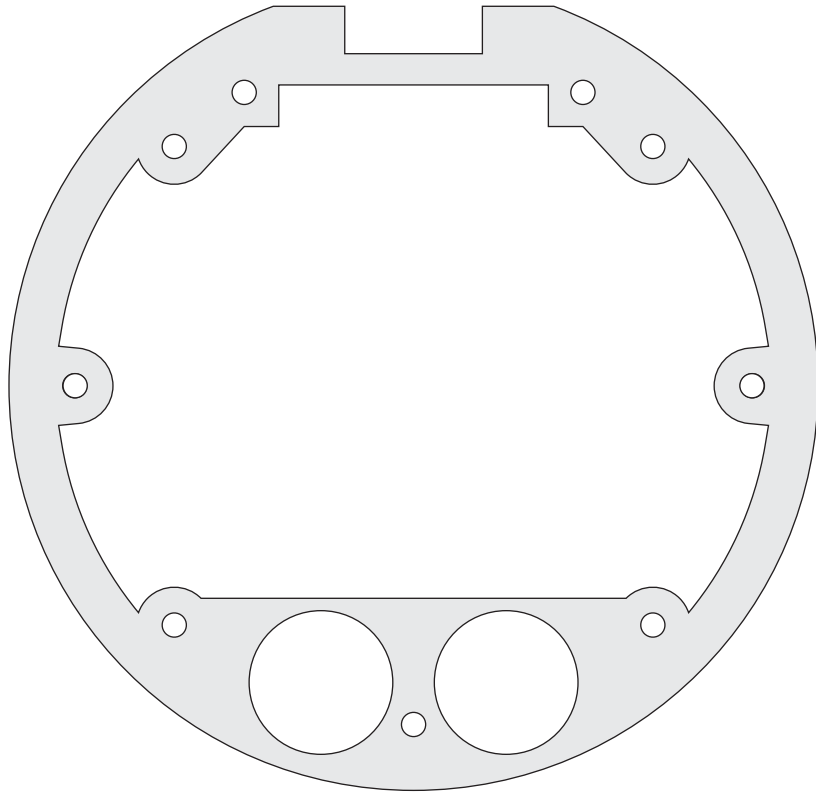
Gray - Solid part

White - Hole thru whole solid part

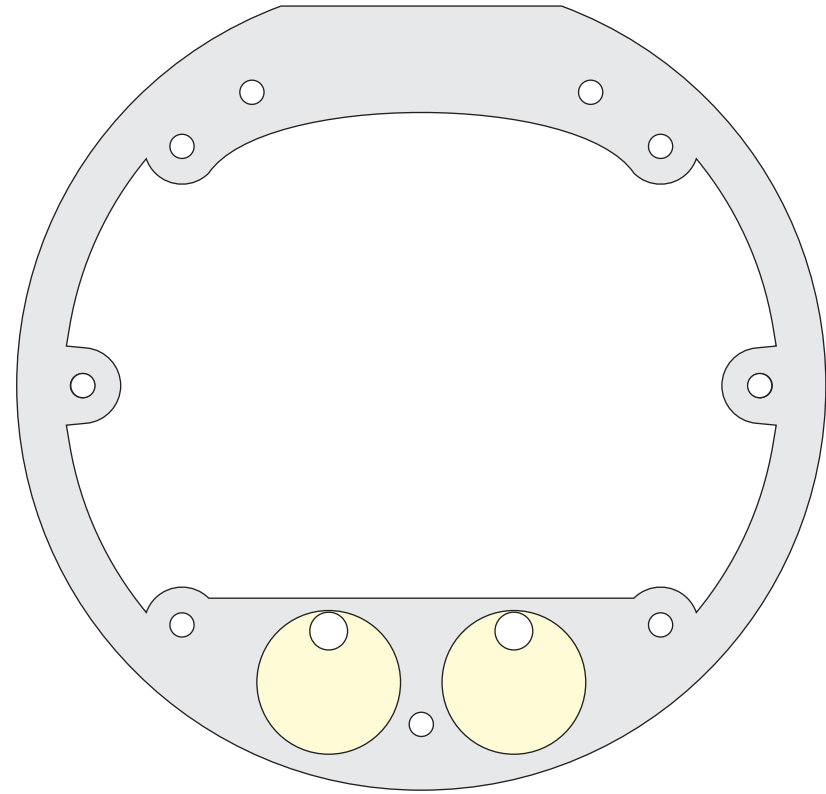
Yellow - Partial cutout, 5mm depth

# Parts drawings #2

All drawings are in 1:1 scale, can be CNCed directly



Speaker main body



Battery housing front part

Color legend:

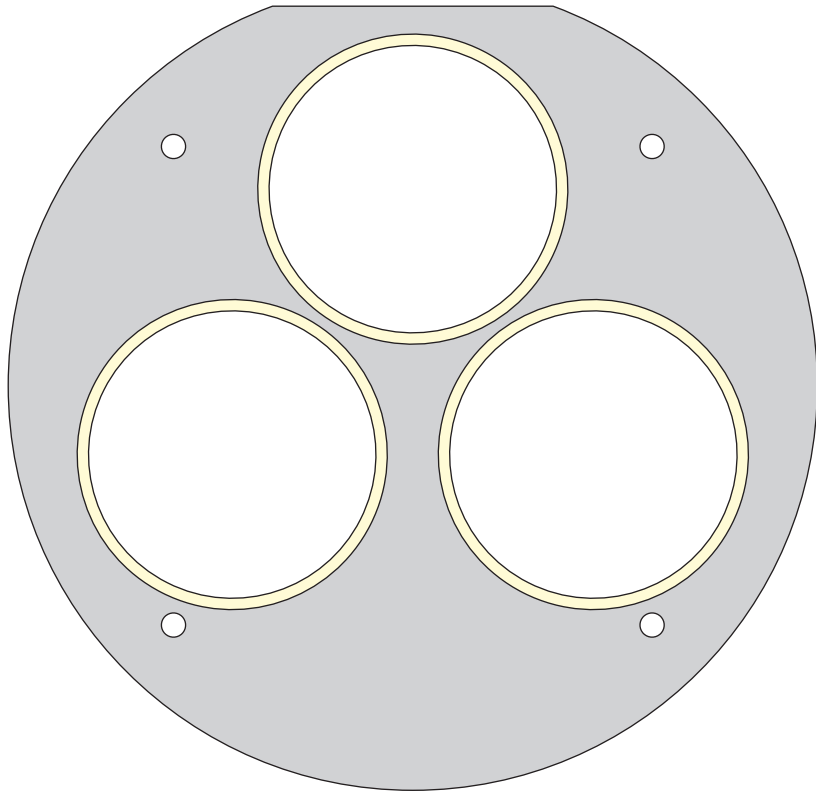
Gray - Solid part

White - Hole thru whole solid part

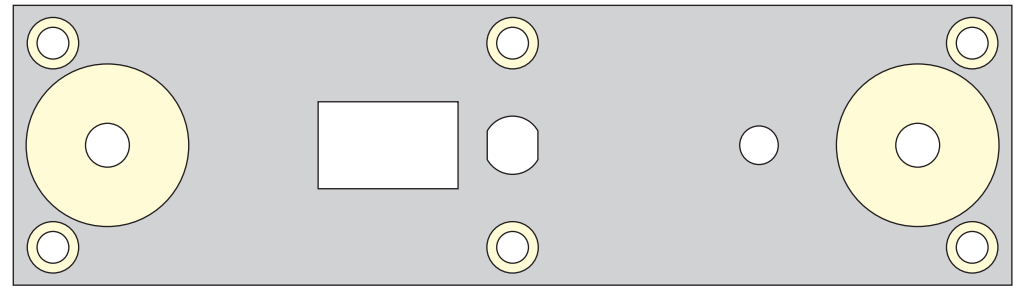
Yellow - Partial cutout, 5mm depth

# Parts drawings #3

All drawings are in 1:1 scale, can be CNCed directly



Speaker front panel



Speaker top cover

Color legend:

Gray - Solid part

White - Hole thru whole solid part

Yellow - Partial cutout, 5mm depth

# Stencil for legs placement

All drawings are in 1:1 scale, can be CNCed directly

