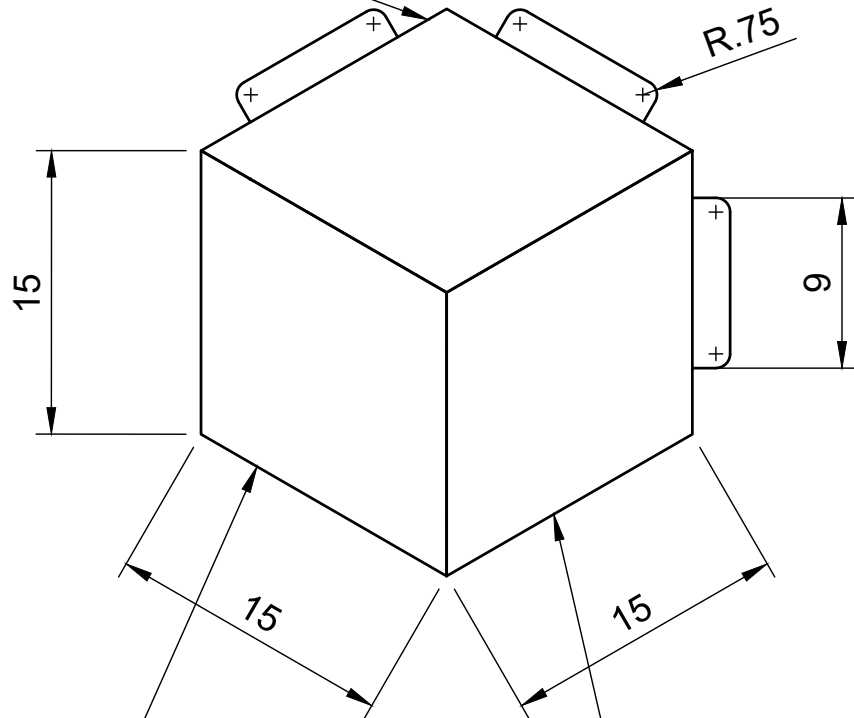
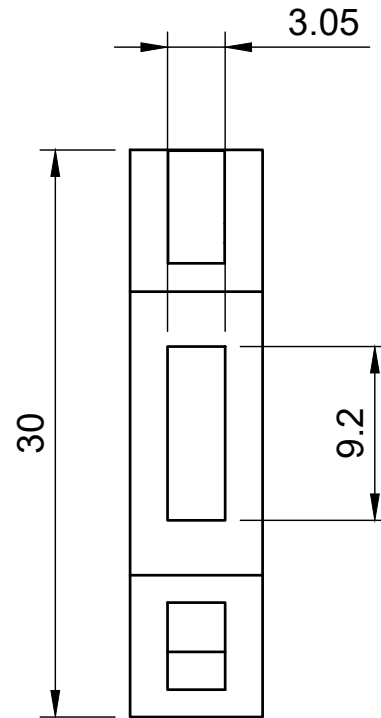


Diamond "A"
(color white)



Diamont "A"
(color black)

Diamond "B"
(color red)



DIAMONDS