

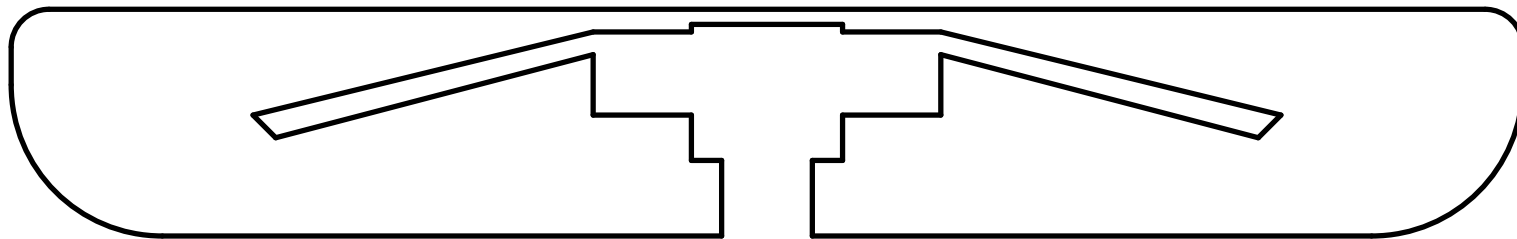
F E D C B A

4

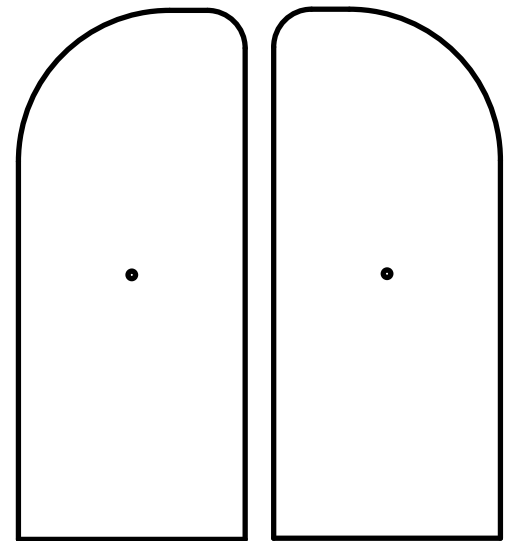


Base (x2)

3

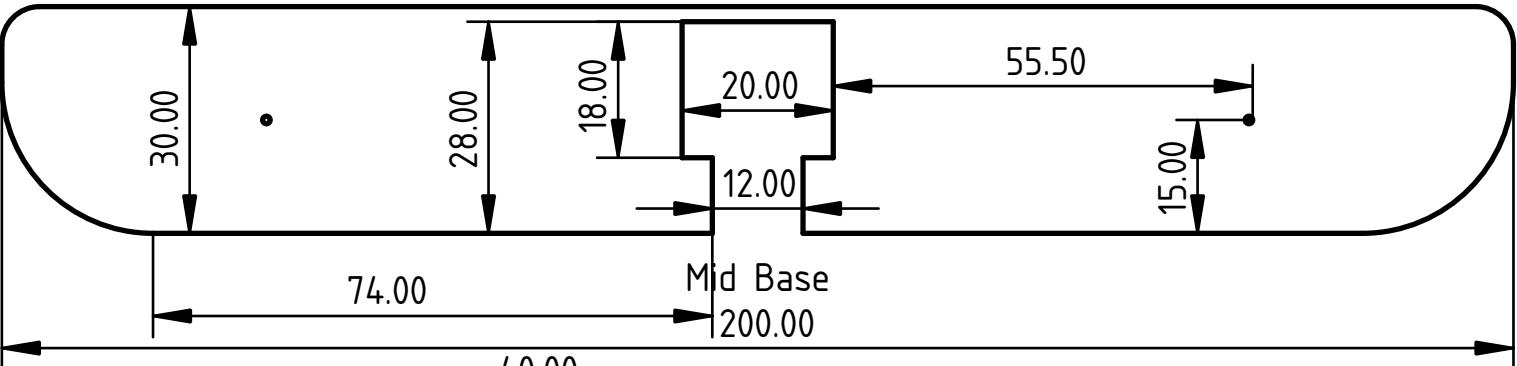


Top Base



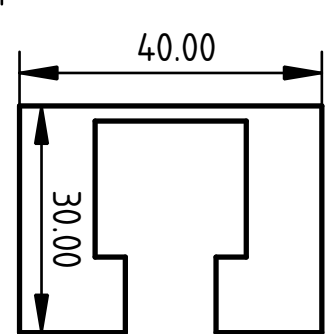
LH Layer (1+1)\* RH Layer (1+1)\*

2

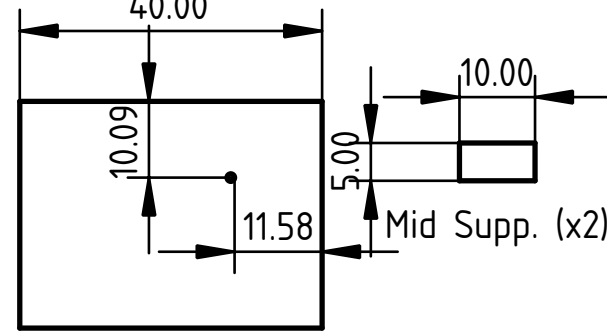


Mid Base

1



PCB Supp.



PCB Plate

Mid Supp. (x2)

\*One with hole and another without

DESIGNED BY: <b>TheNooB</b>		<b>SparkMouse Timer</b>		G	—
DATE: <b>2021-06-07</b>				F	—
SIZE: <b>A4</b>				E	—
				D	—
SCALE: <b>1</b>	WEIGHT (kg)	DRAWING NUMBER: <b>1</b>	SHEET: <b>1</b>	C	—
				B	—
				A	—

This drawing is our property; it can't be reproduced or communicated without our written consent.

F E D C B A