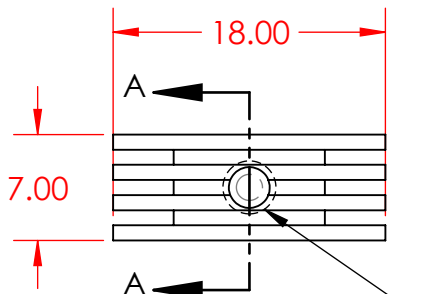
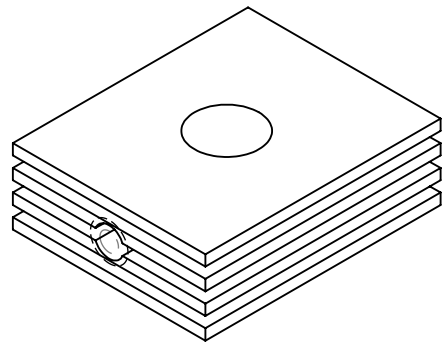
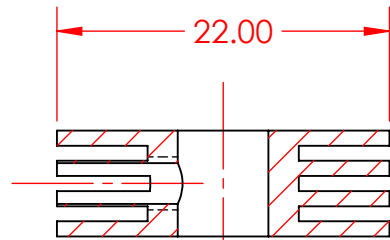


TOP VIEW

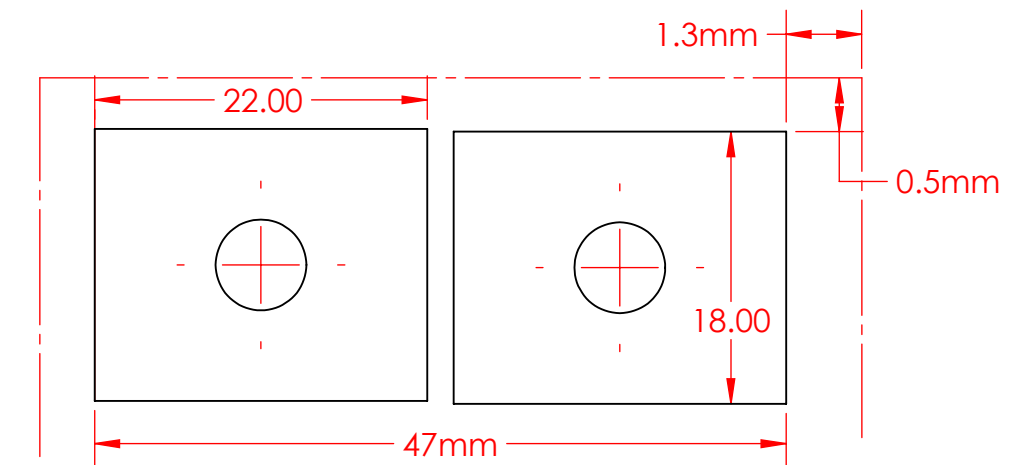


#6-32 Tapped Hole

SIDE VIEW



SECTION A-A
SIDE VIEW



TOP VIEW OF SPACE CONSTRAINT ENVELOPE FOR HEAT SINKS OF RAISE3D PRO2 EXTRUDERS