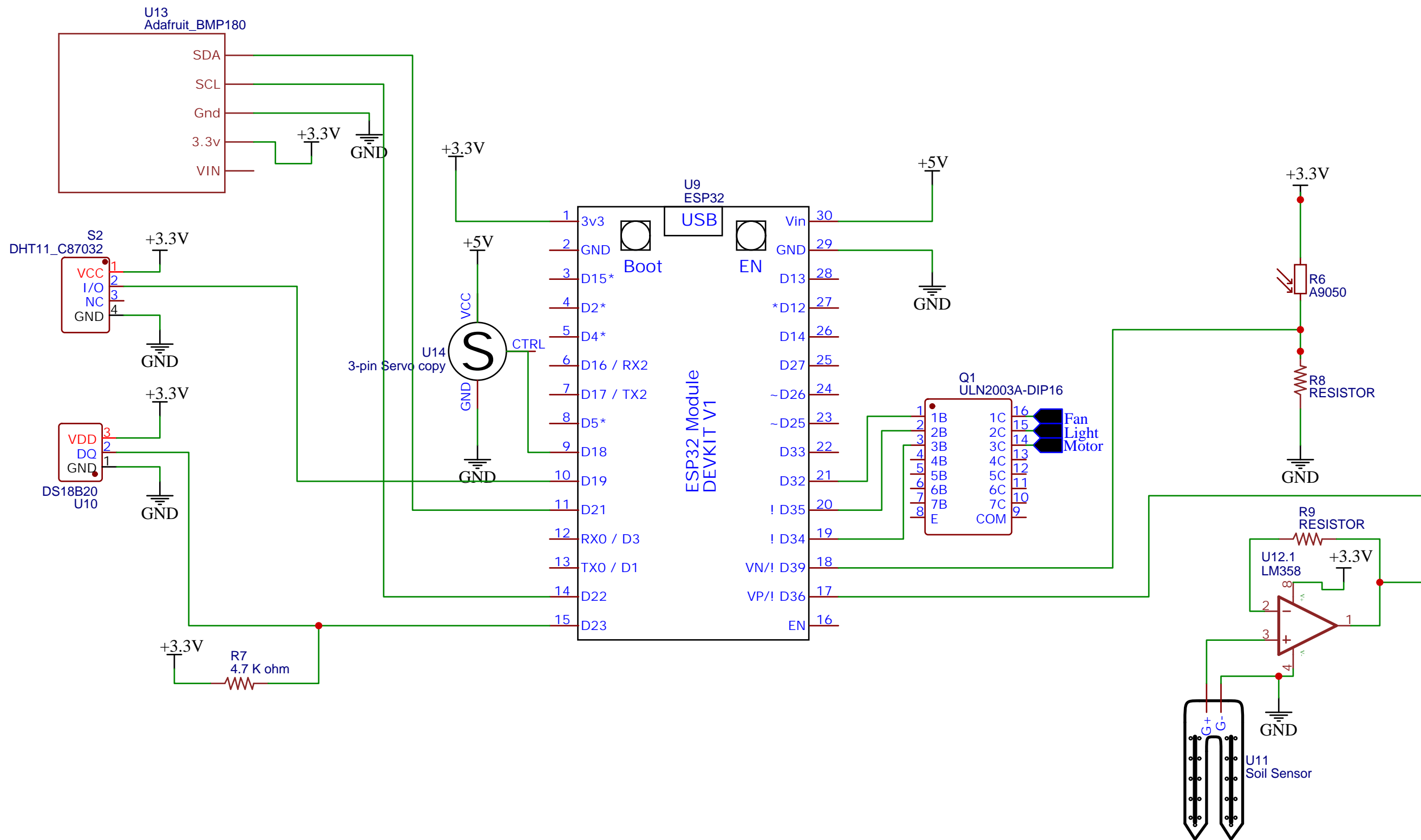


TITLE: Module connection		REV: 1.0
Company: instructable		Sheet: 1/1
Date: 2019-08-27		Drawn By: sandip



TITLE: Main Circuit		REV: 1.0
Company: instructables		Sheet: 1/1
Date: 2019-08-12	Drawn By: sandip	