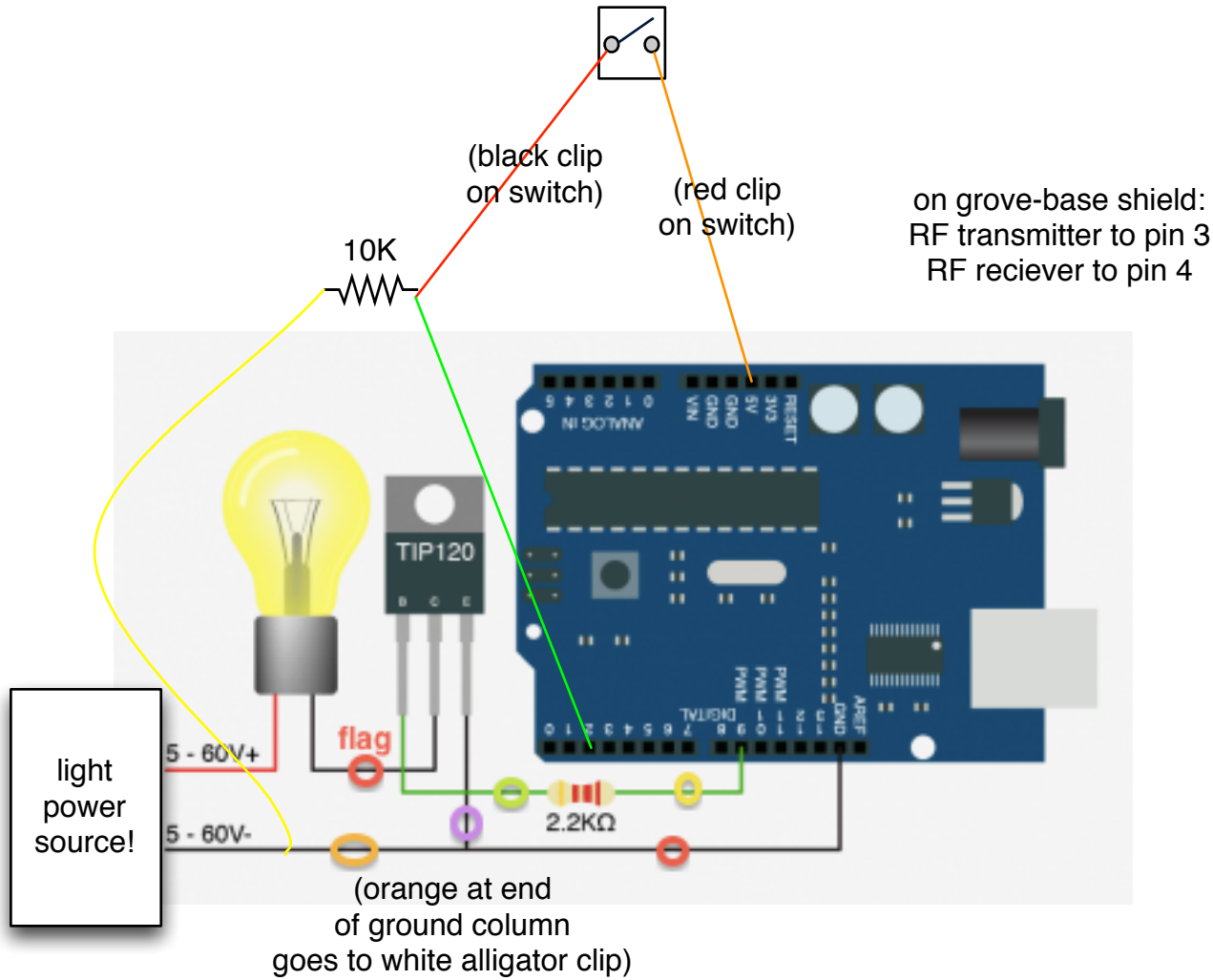


(wire colours and clip notes are from original circuit trace and may not be consistent)



light power source!

(black clip on switch)

(red clip on switch)

on grove-base shield:
RF transmitter to pin 3
RF receiver to pin 4

10K

flag

2.2KΩ

5 - 60V+

5 - 60V-

(orange at end of ground column goes to white alligator clip)