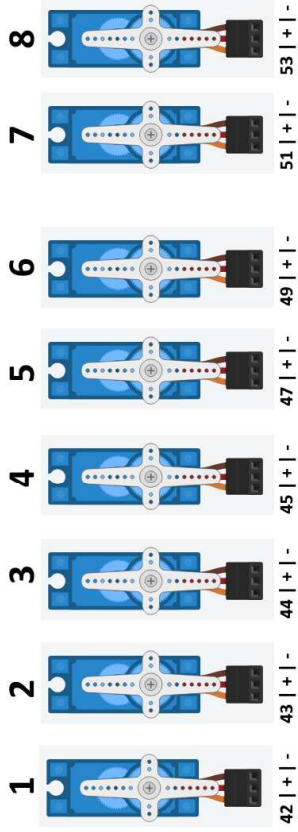


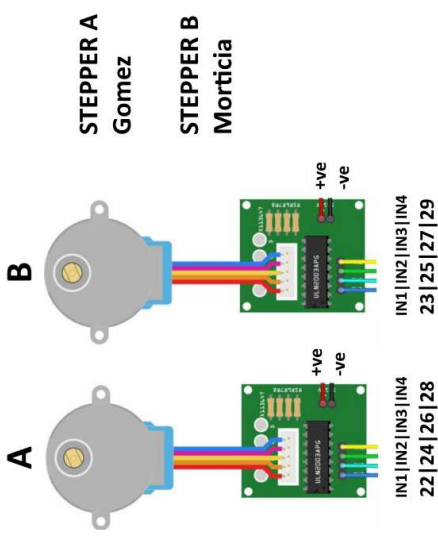
ADDAMS FAMILY CLOCK - PIN CONNECTIONS



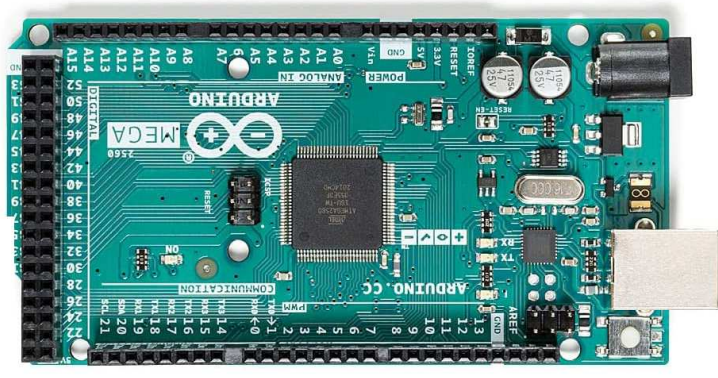
- SERVO 1 - Granny Shutters - PIN 42
- SERVO 2 - Morticia Shutters - PIN 43
- SERVO 3 - Gomez Shutters - PIN 44
- SERVO 4 - Fester Shutters - PIN 45
- SERVO 5 - Pugsley/Wednesday Shutters - PIN 47
- SERVO 6 - Lurch Front Doors - PIN 49
- SERVO 7 - Pugsley Animation - PIN 51
- SERVO 8 - Lurch Sweeping - PIN 53

STEPPER A - Gomez

STEPPER B - Morticia



ARDUINO MEGA



ADAFRUIT SOUND CARD

GREEN LEDs

FESTER FLASHING LED

PUSH TO START SWITCH

NOTE:

Servos and stepper motors to be powered from one separate 5v power source

Green LEDs and sound board to be powered from the same separate 5v supply

ADAFRUIT SOUND CARD

