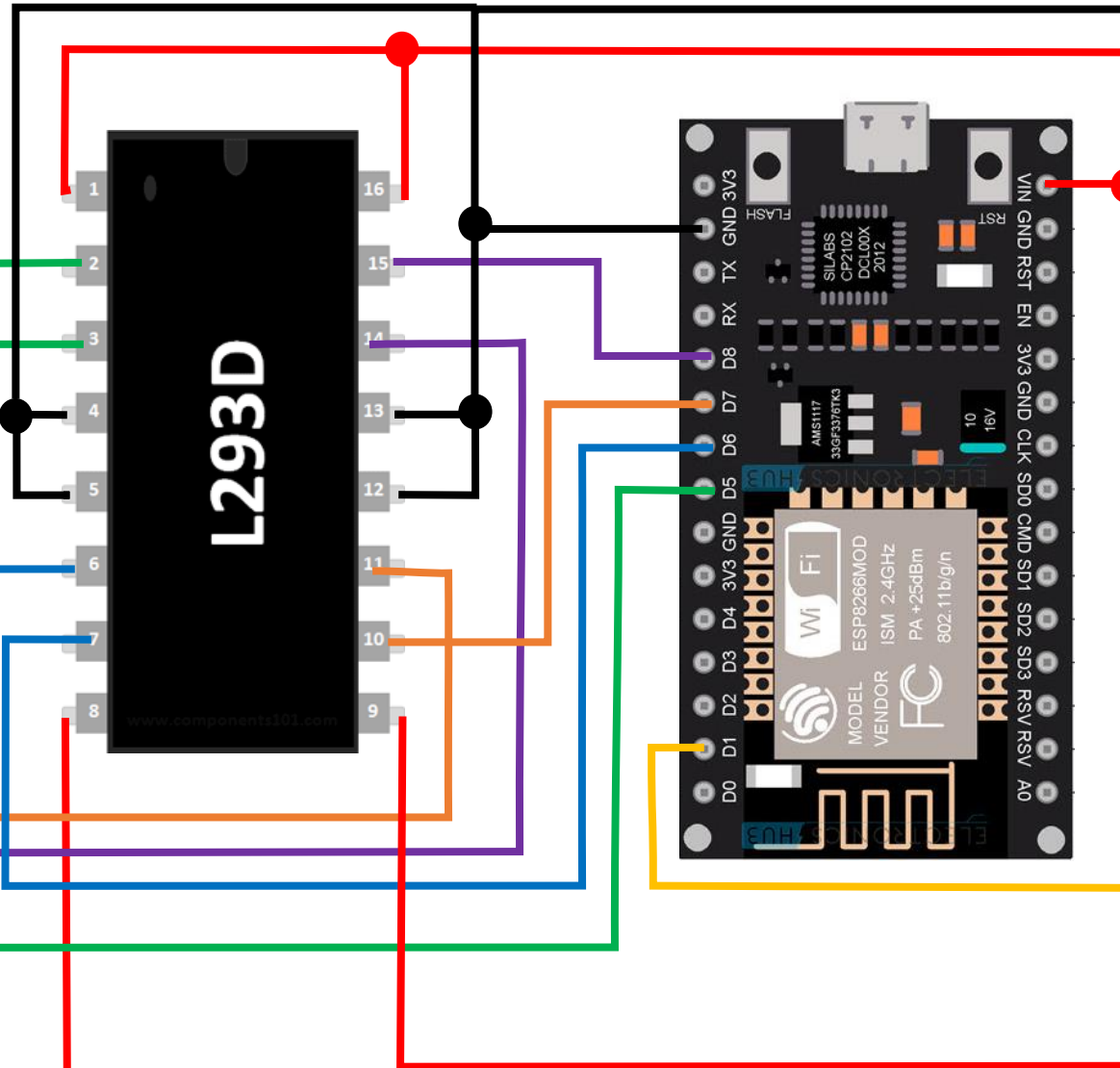


3.5mm DC power jack



9V output (for stepper motor)

9V output

5V output

CLOSE : when supplying power to ESP82666 via **12V adapter**  
OPEN : when supplying power to ESP82666 via **USB cable**

