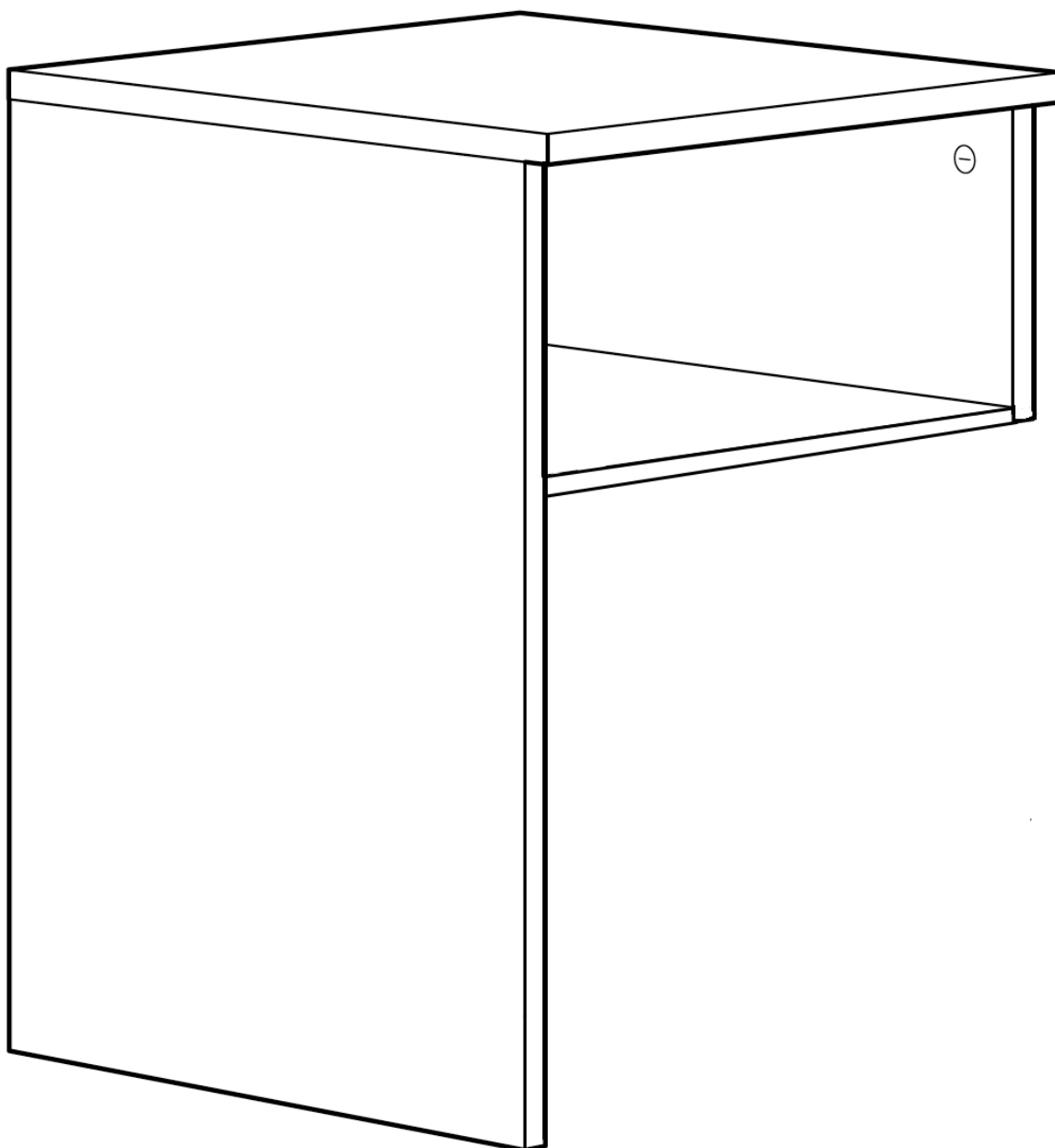


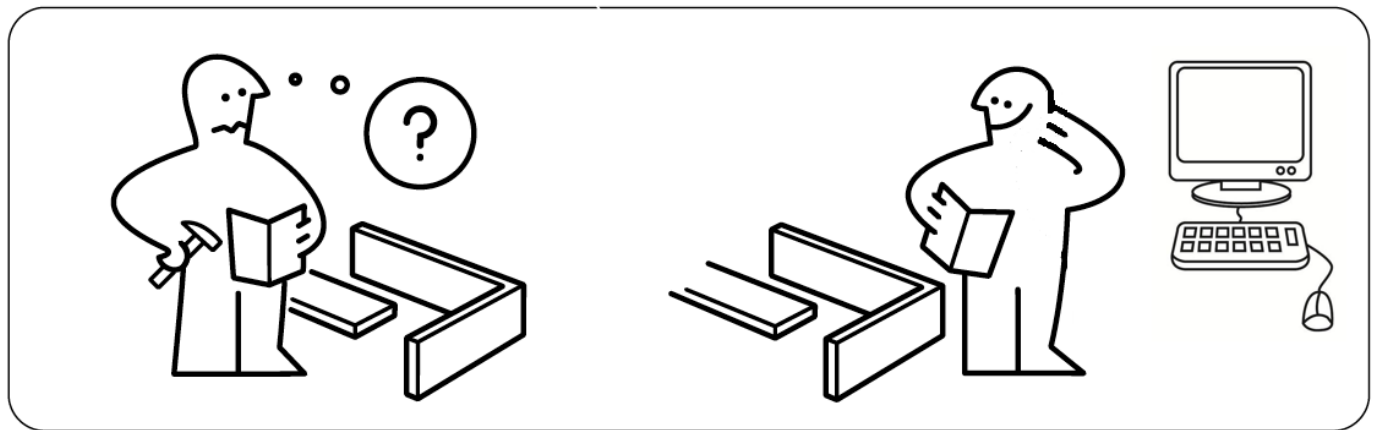
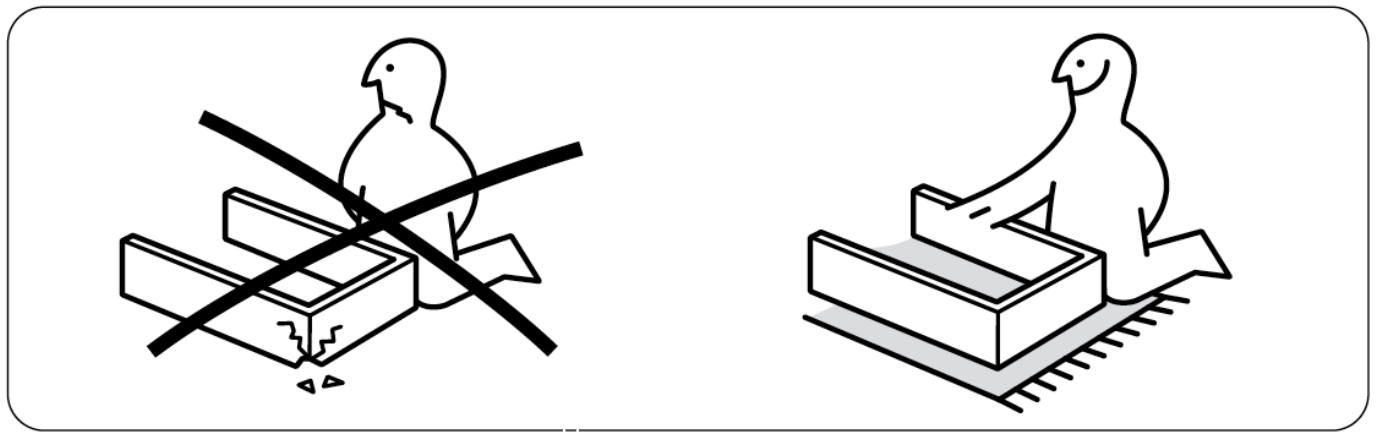
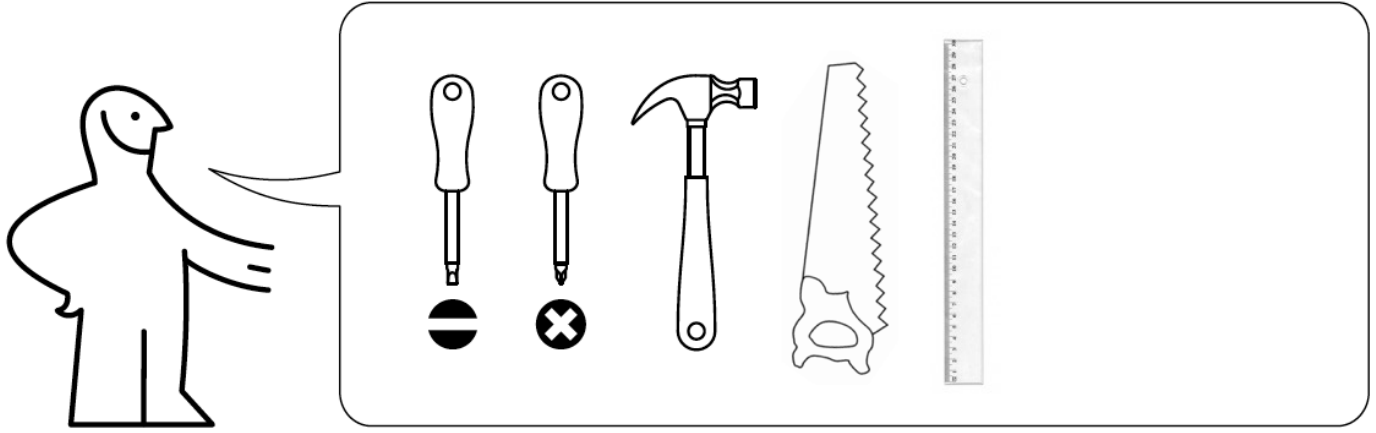
BRIMNES

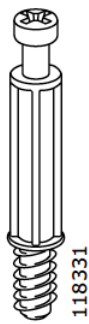


Product Improvement



Design and Quality
IKEA of Sweden





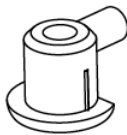
118331

4x



101345

4x



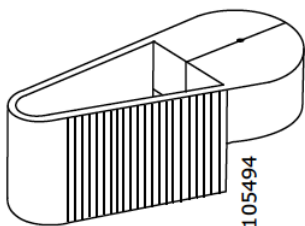
107519
107938

4x



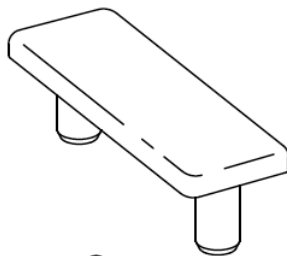
117434
119030

4x



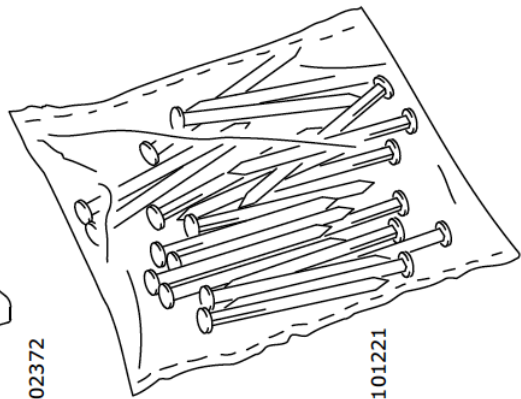
105494

1x



102372

2x



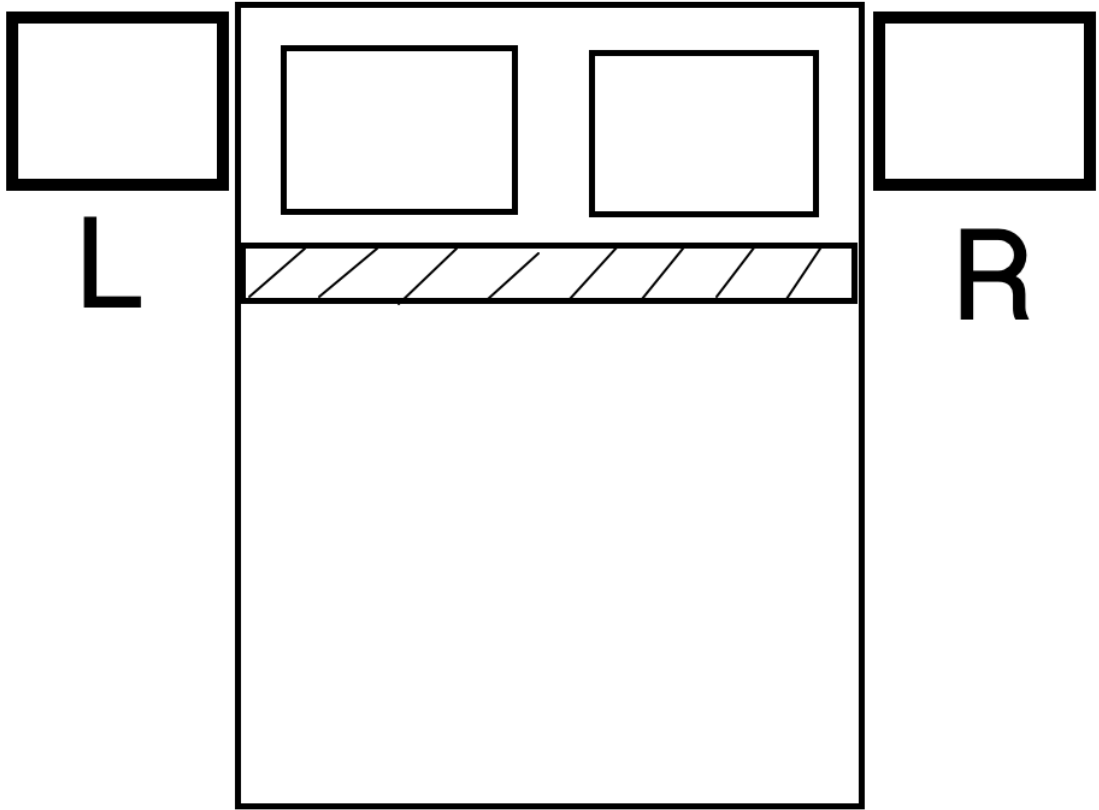
101221

1x

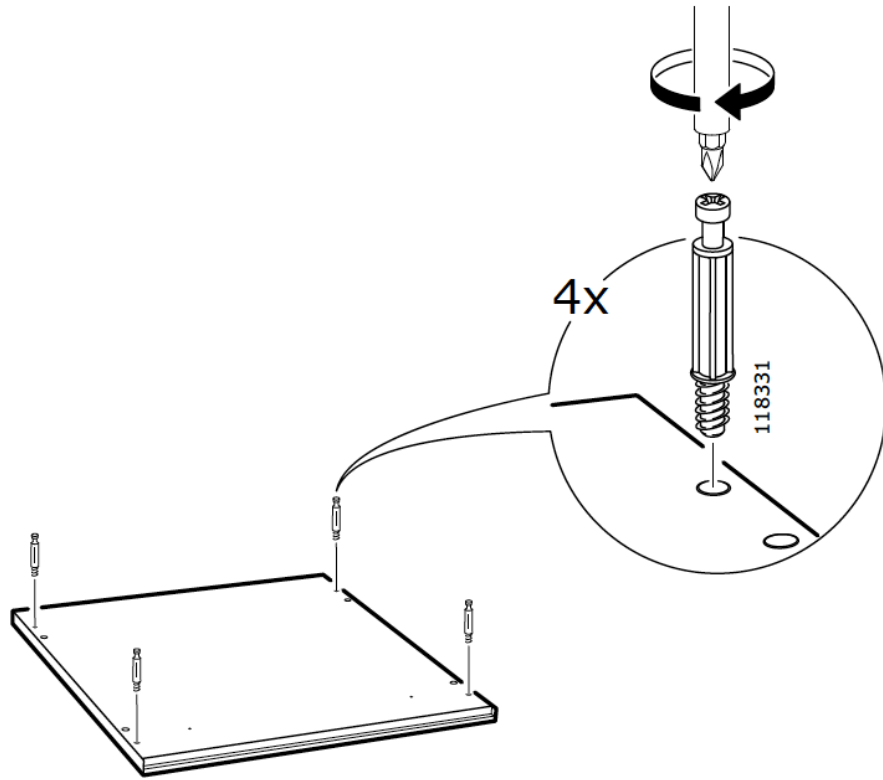


4 cm

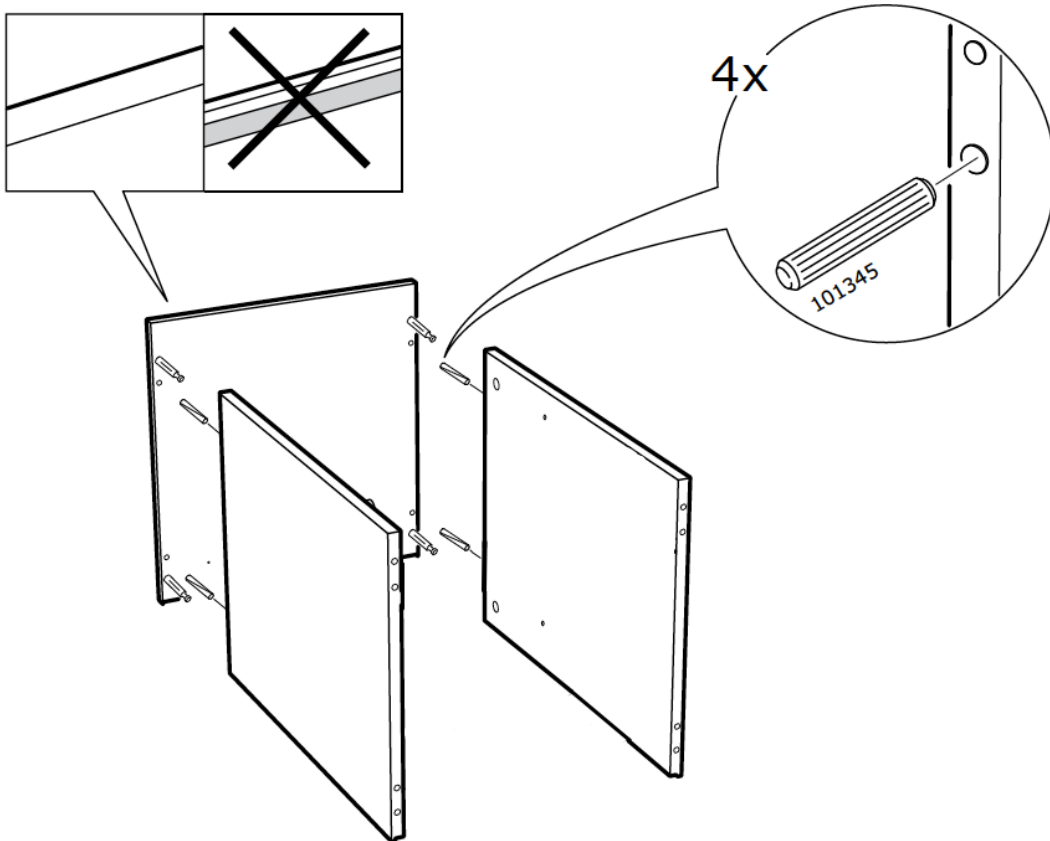
2x



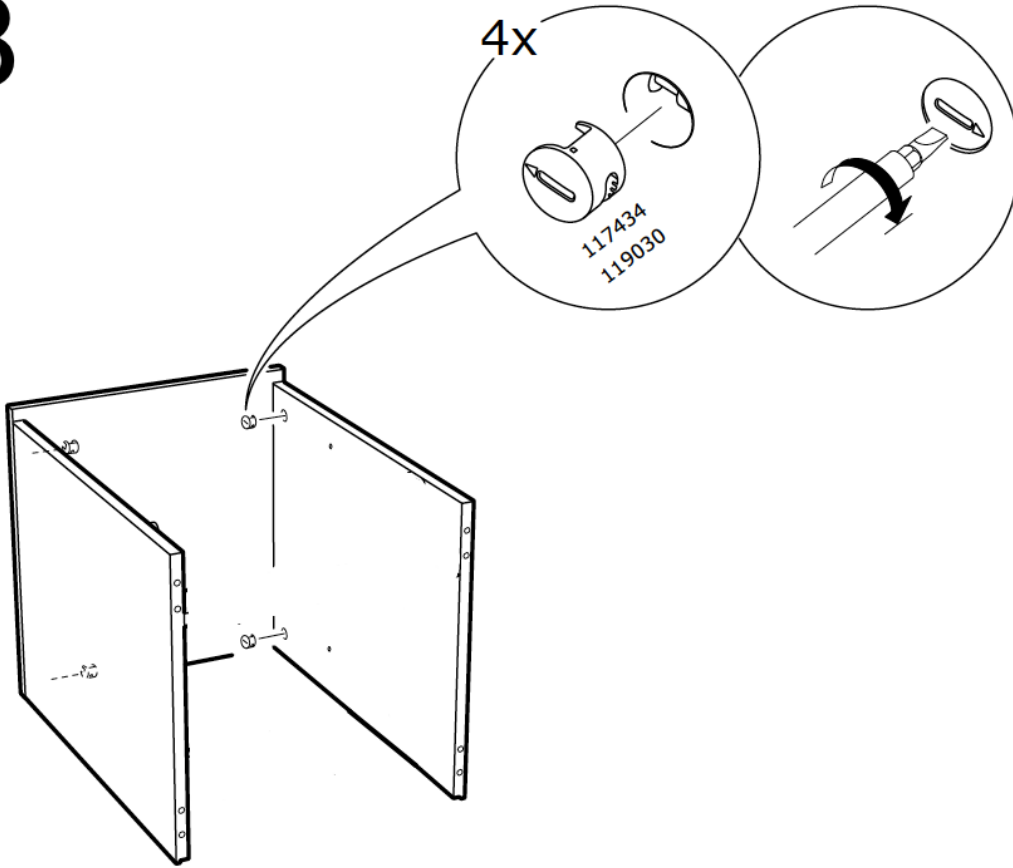
1



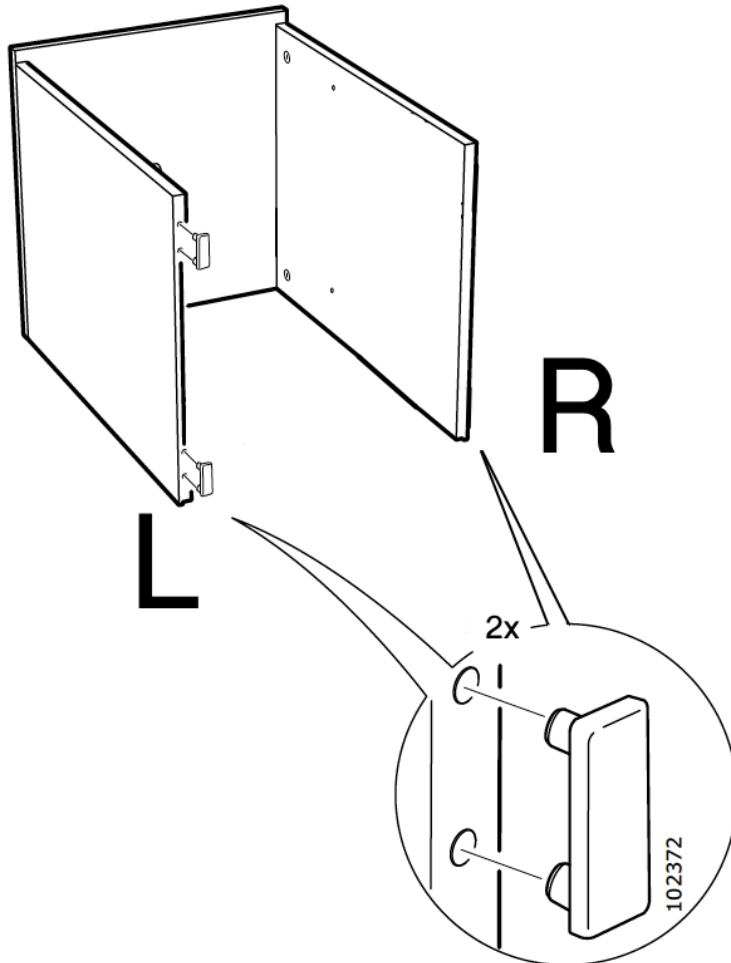
2



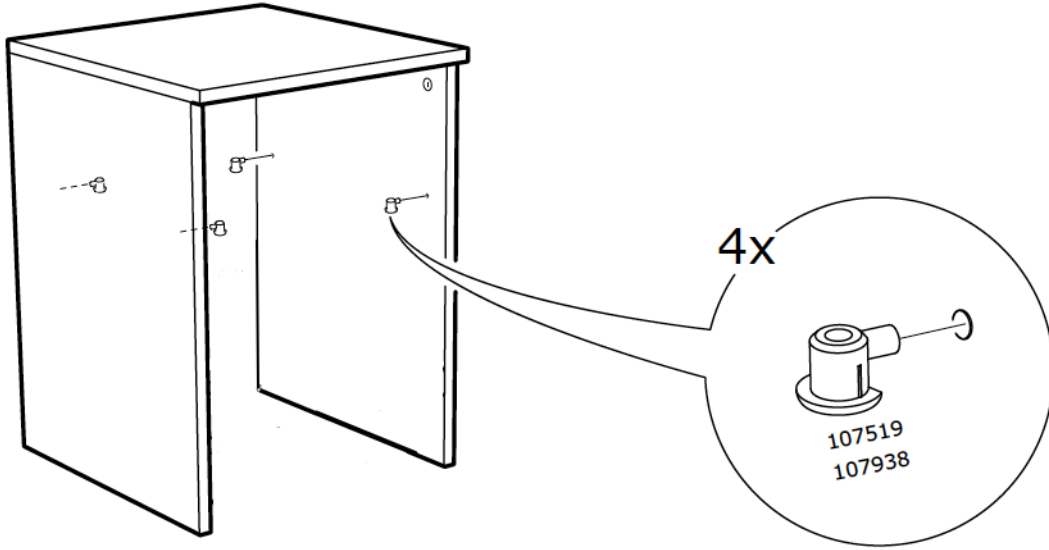
3



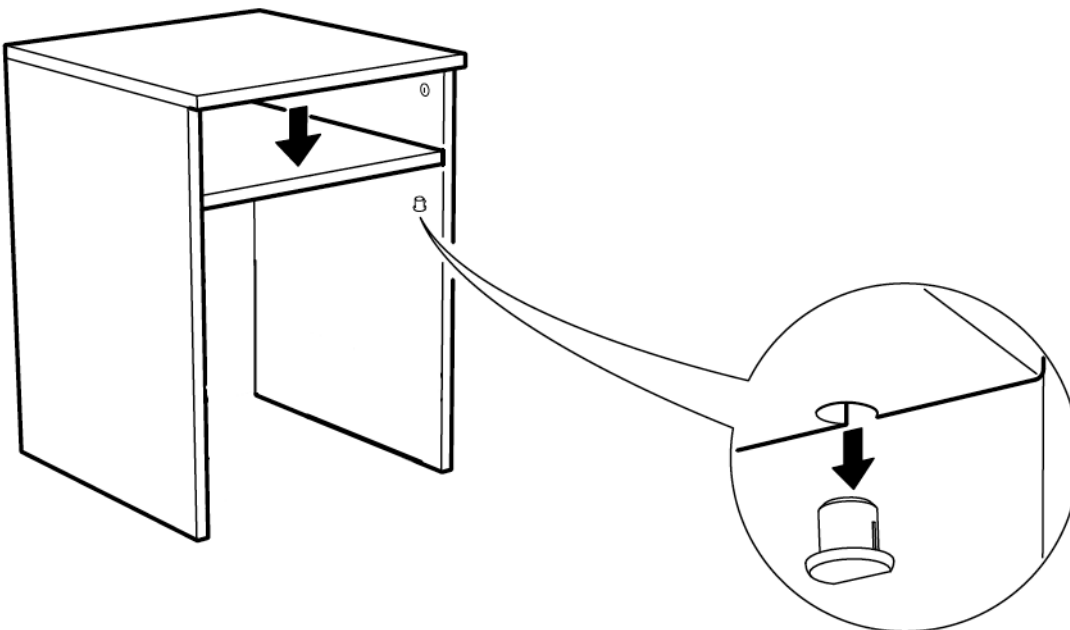
4

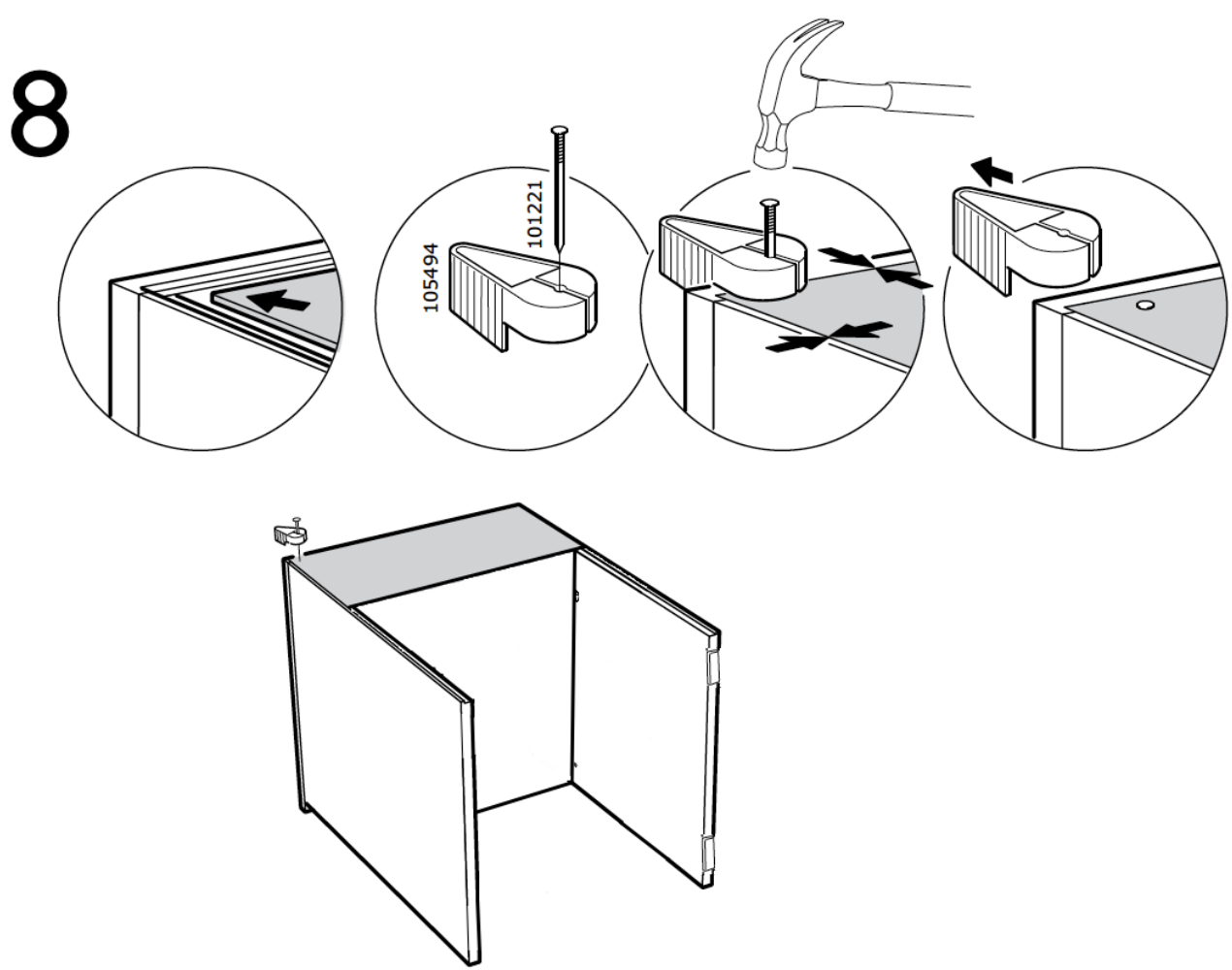
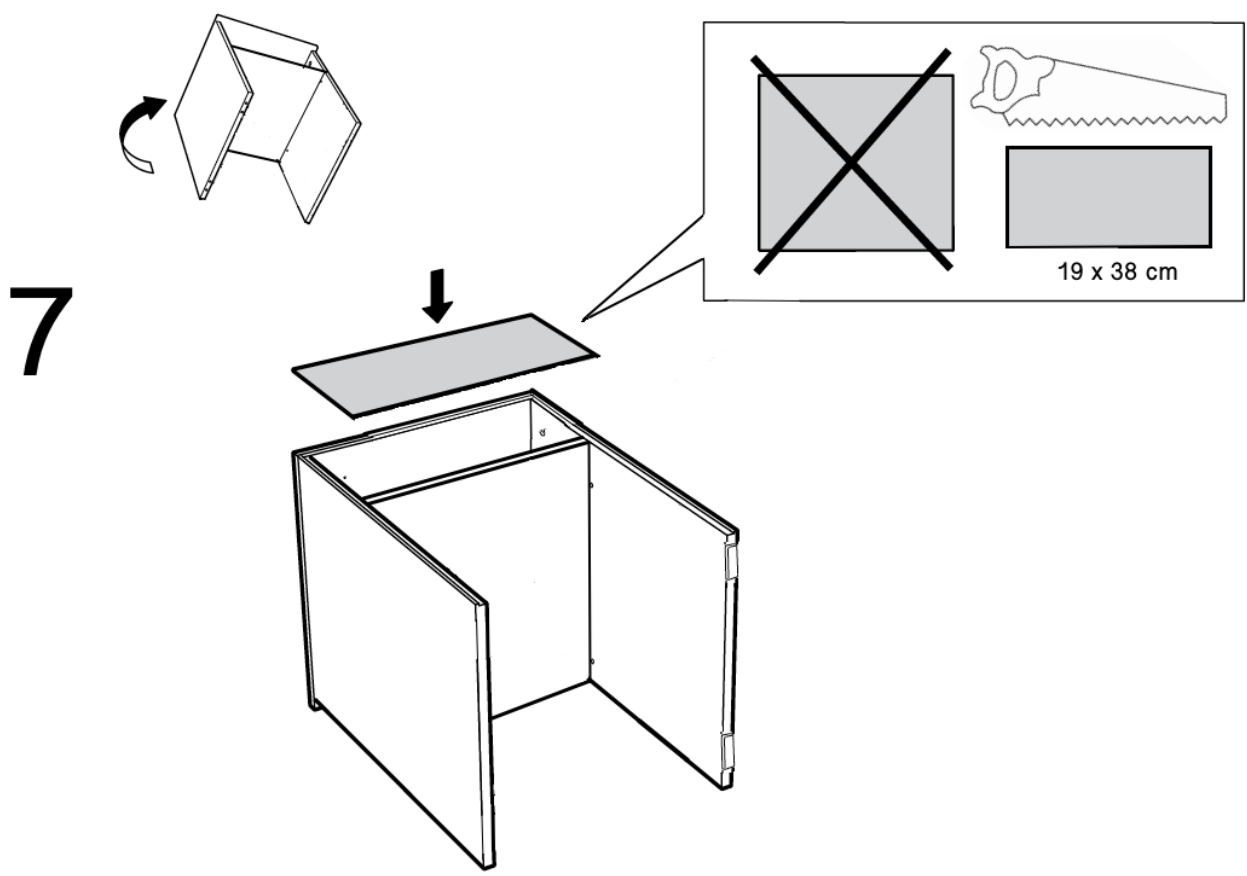


5

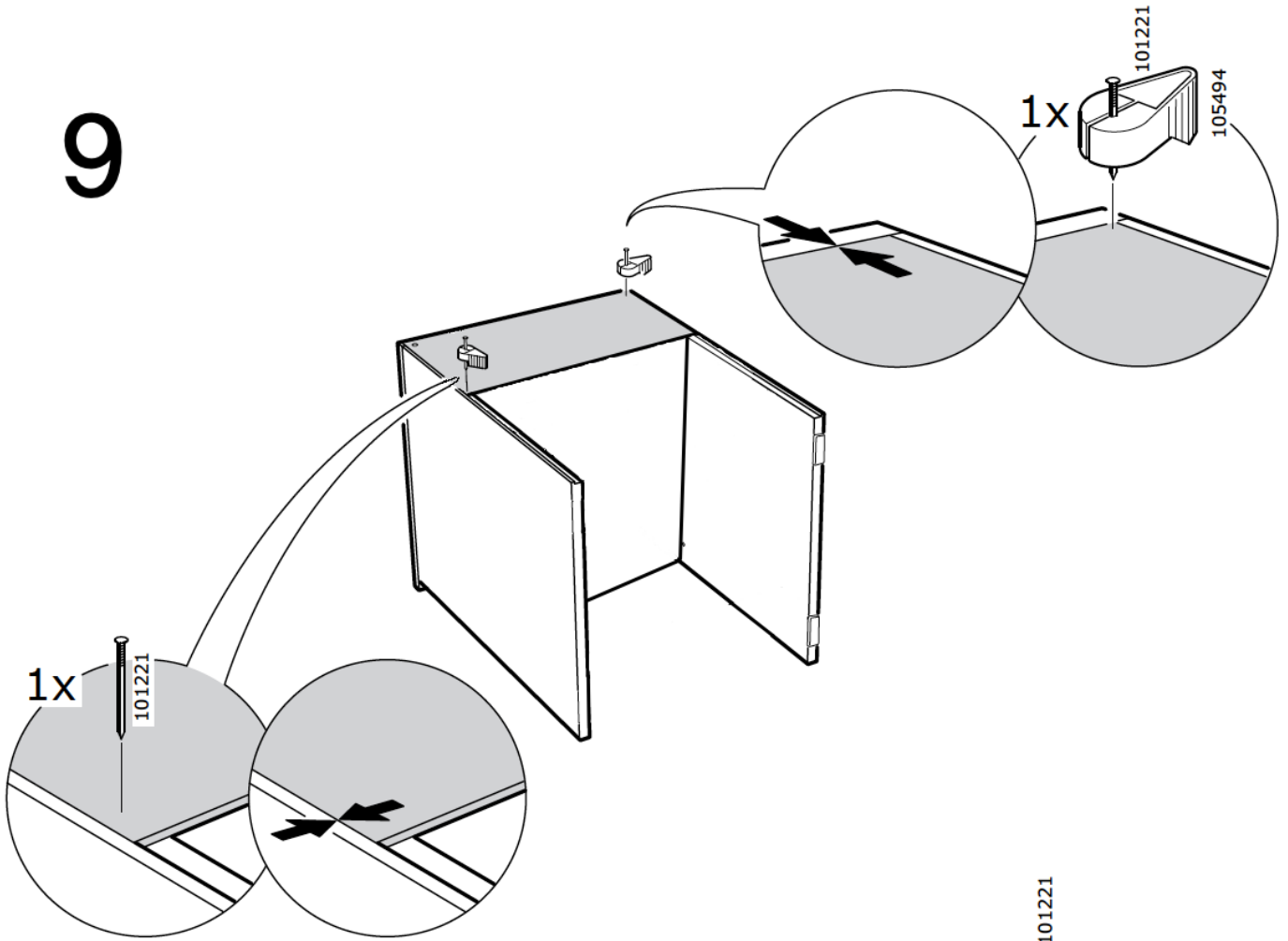


6

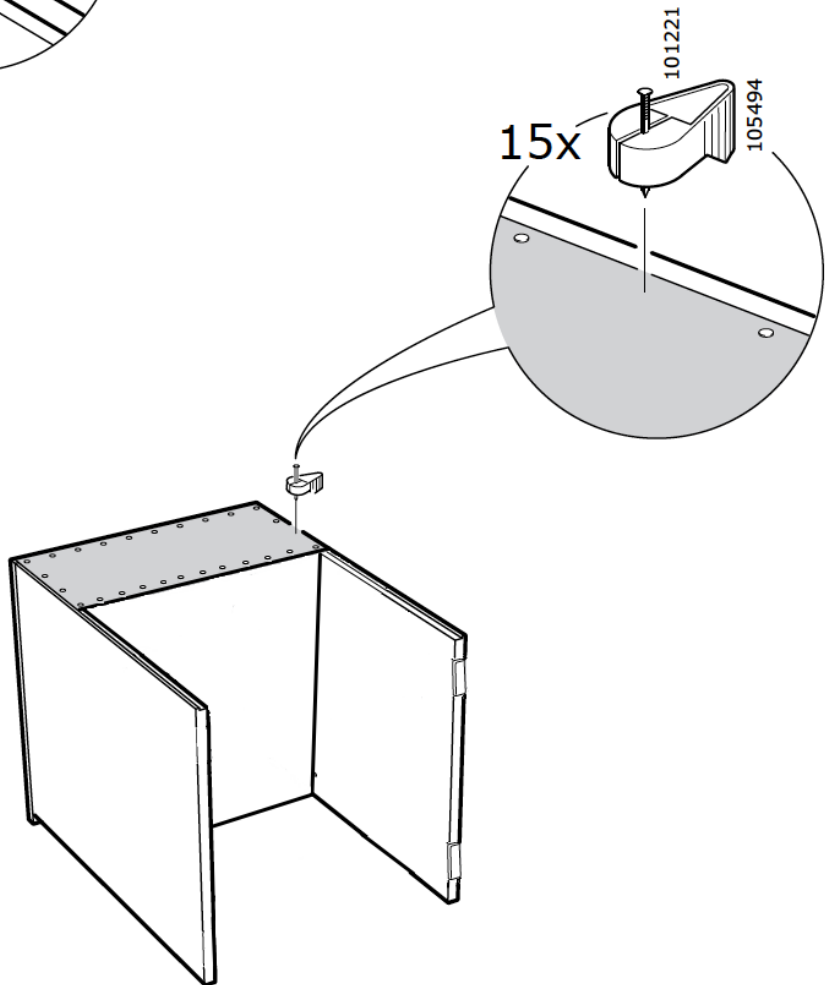


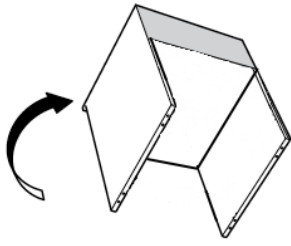


9

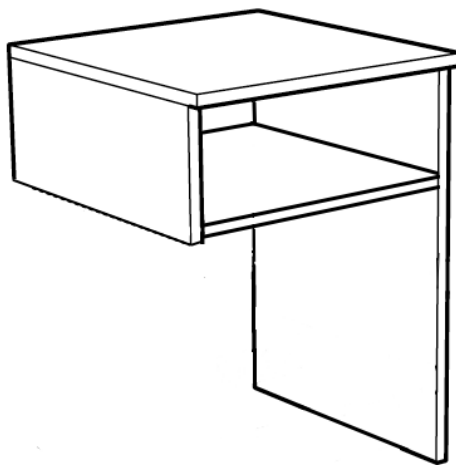
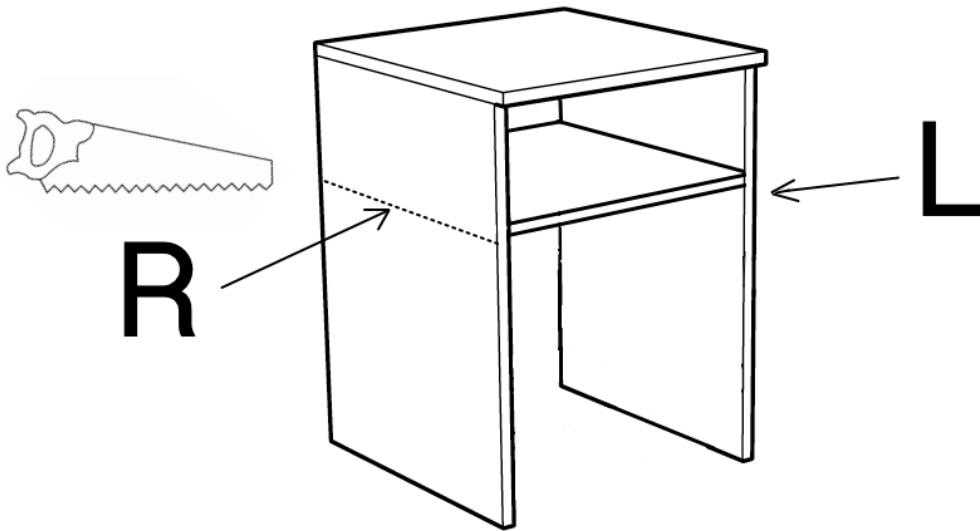


10

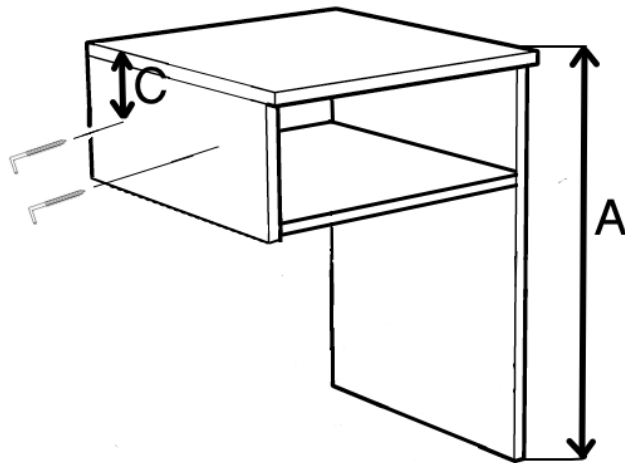
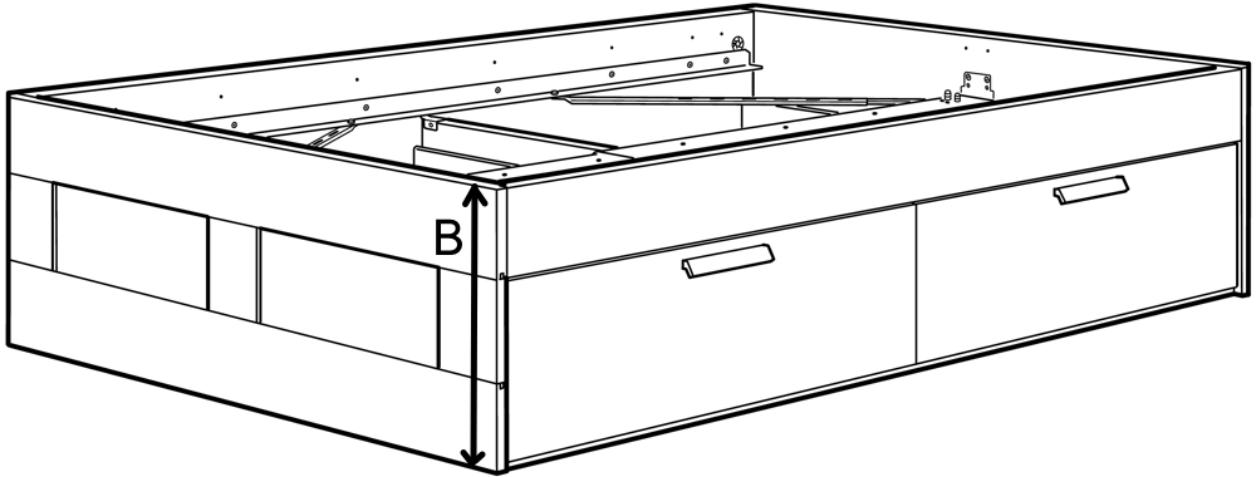




11



12



$$A - B = C$$

