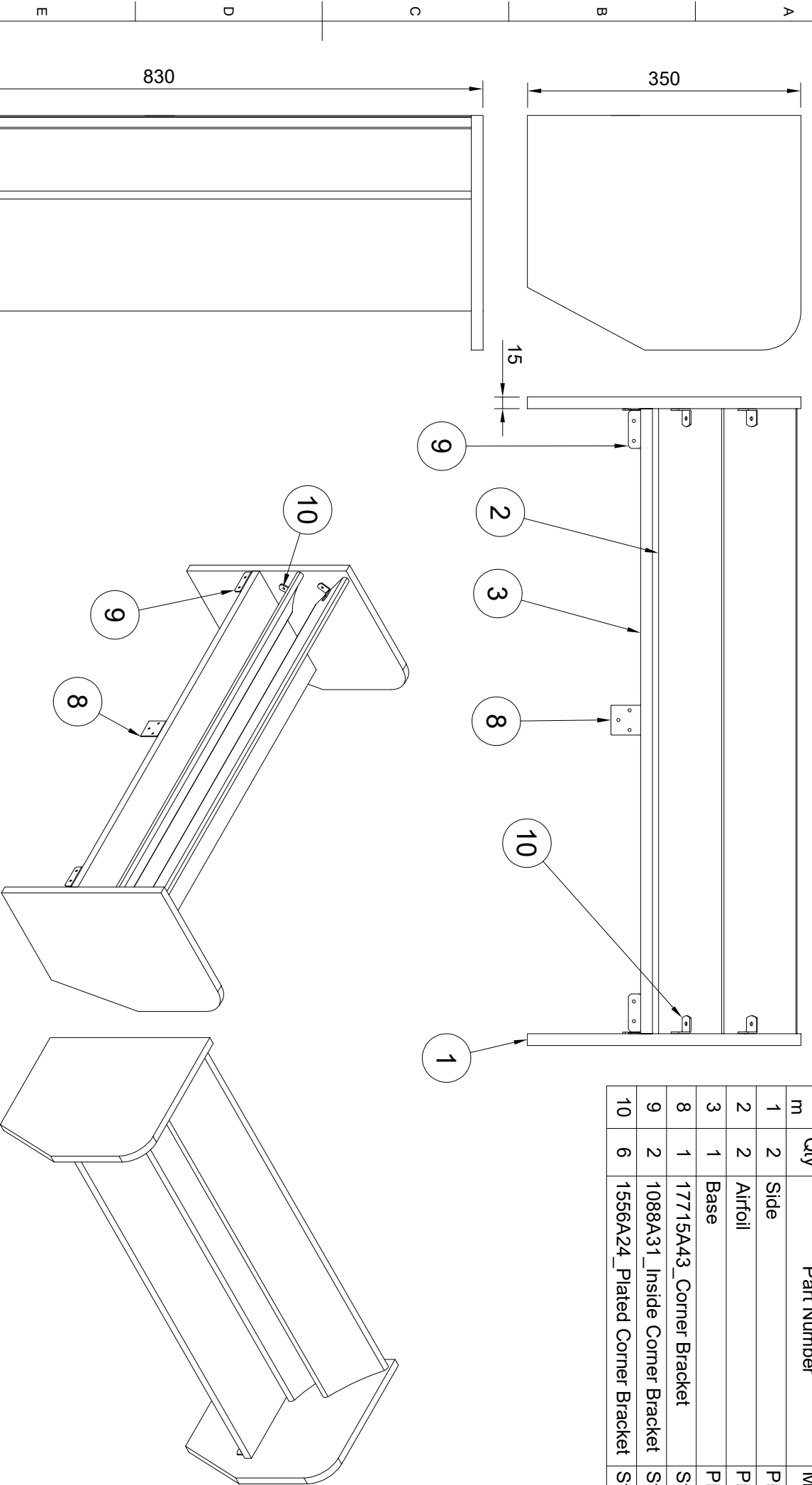


Parts List			
Item	Qty	Part Number	Material
1	2	Side	Pine
2	2	Airfoil	Pine
3	1	Base	Pine
8	1	17715A43_Corner Bracket	Steel
9	2	1088A31_Inside Corner Bracket	Steel
10	6	1556A24_Plated Corner Bracket	Steel



Dept:	Technical reference	Created by	Approved by
	mm	Gustavo Griggio	
Document type		Document status	
In honor of Ayrton Senna			
Title		DWG No.	
Bookshelves			
Rev.	Date of issue	Sheet	
	29/04/2024	1/1	