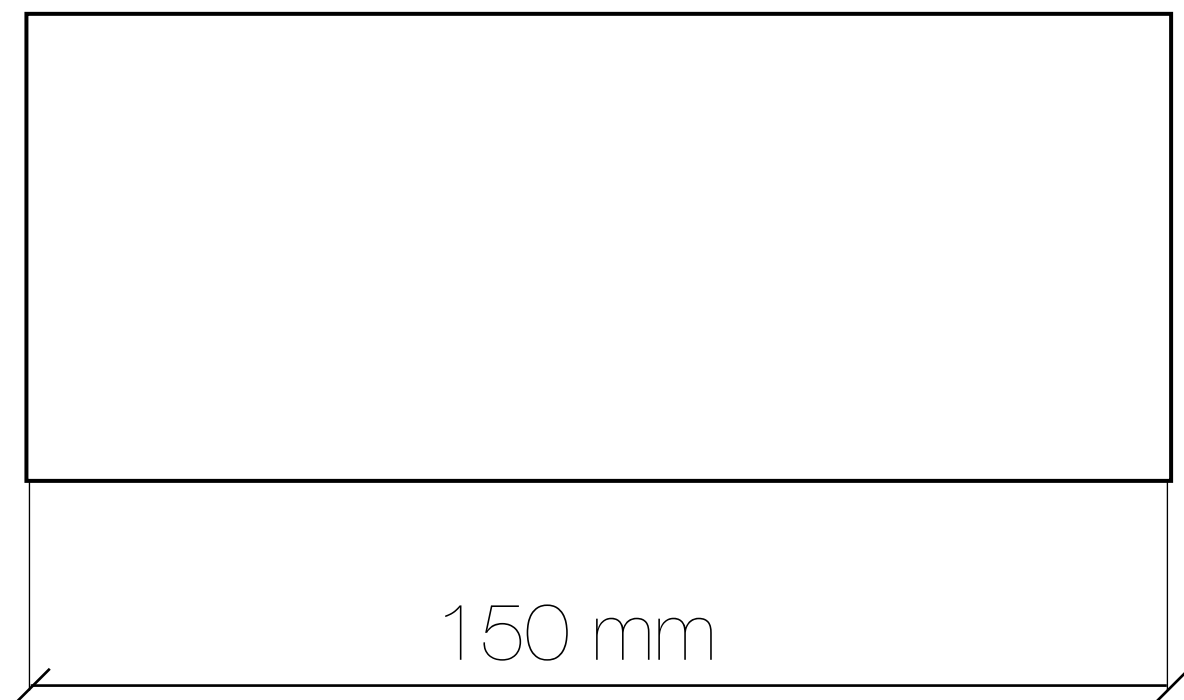
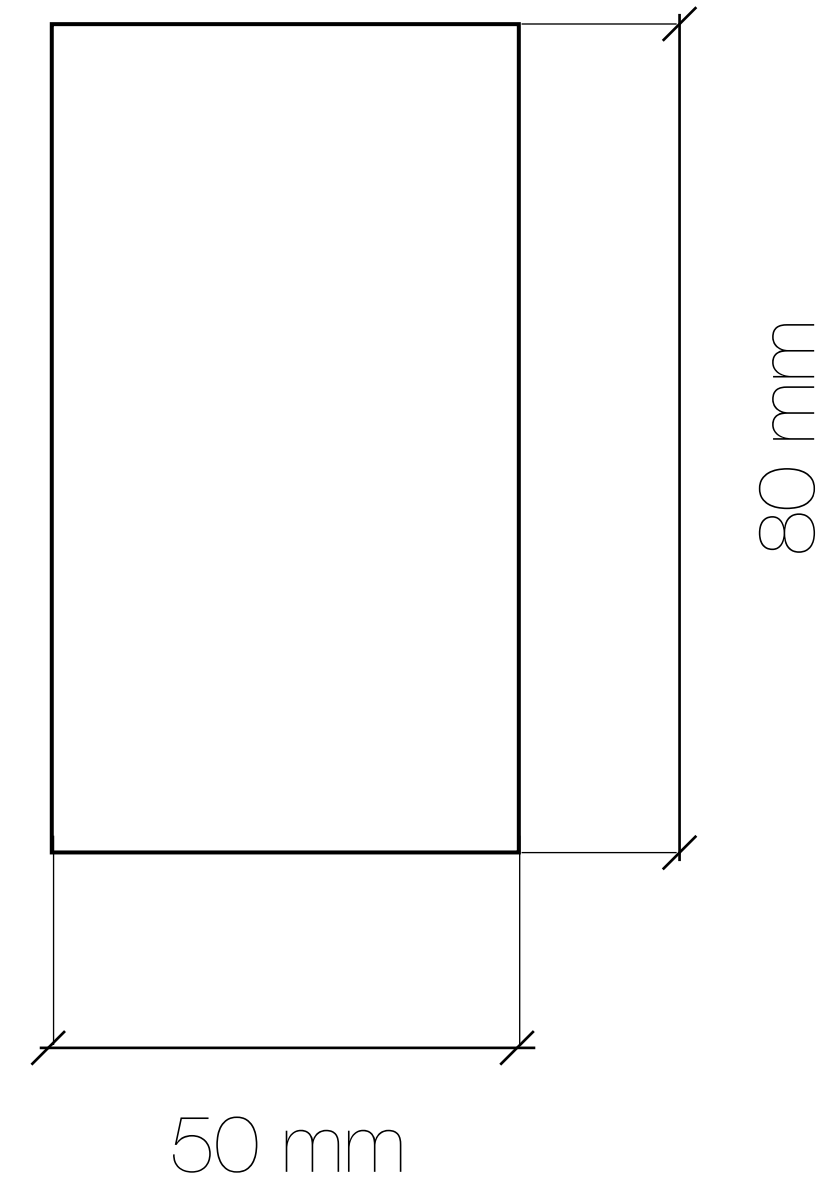
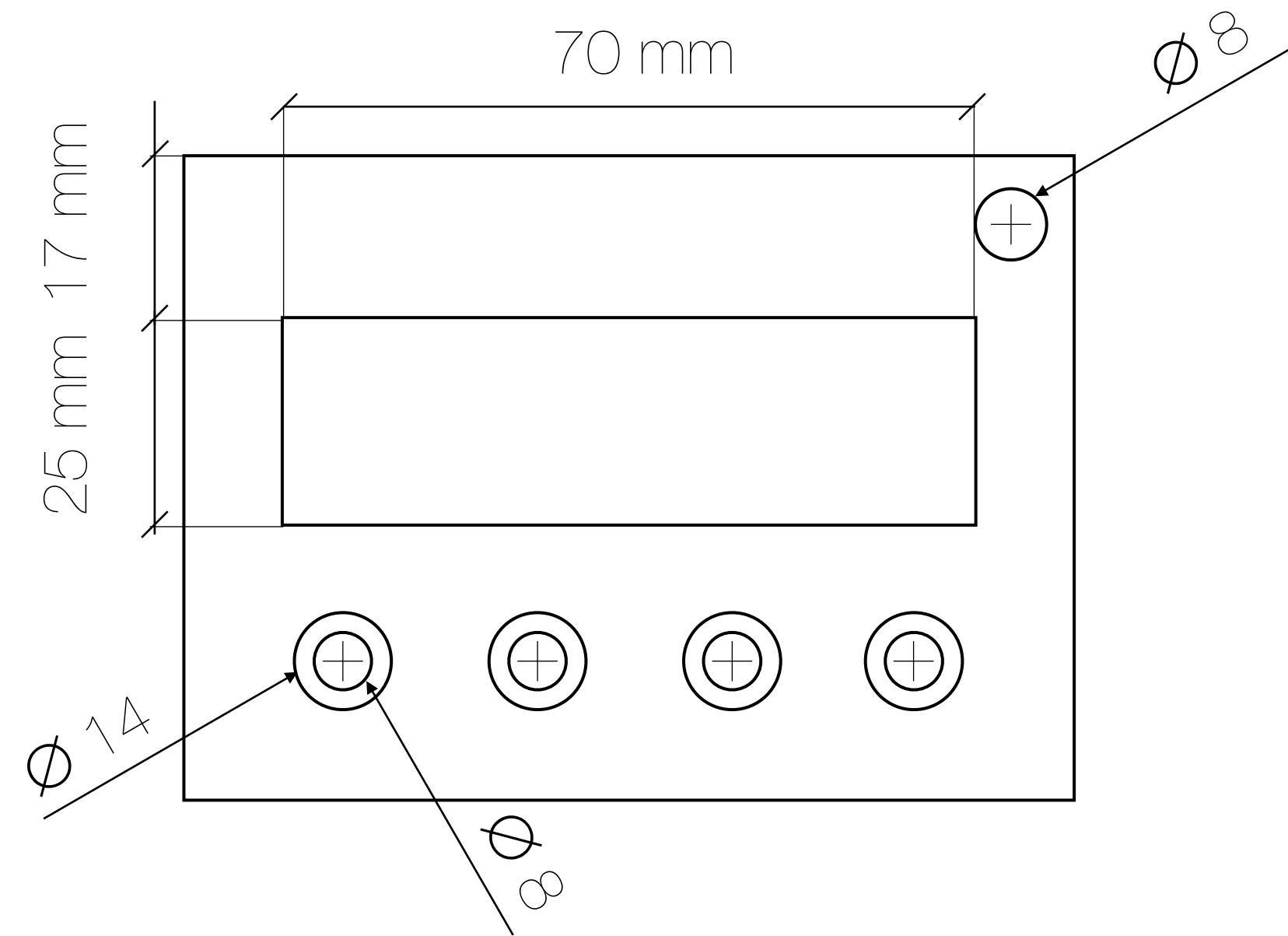
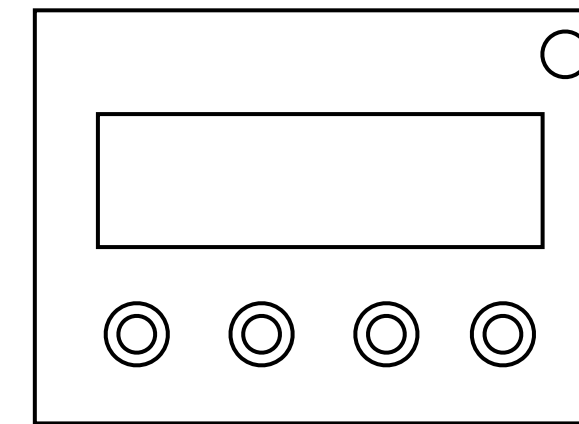


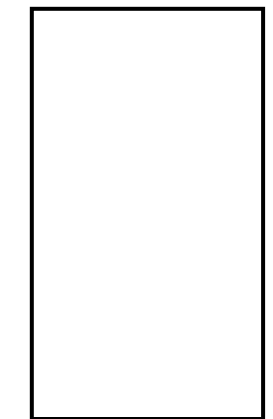
Dimensions



Parts to cut



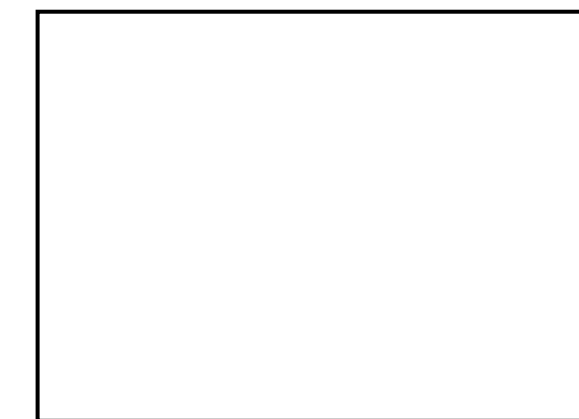
Front part **X1**



Lateral 02 **X2**



Lateral 01 **X2**



Back part **X1**