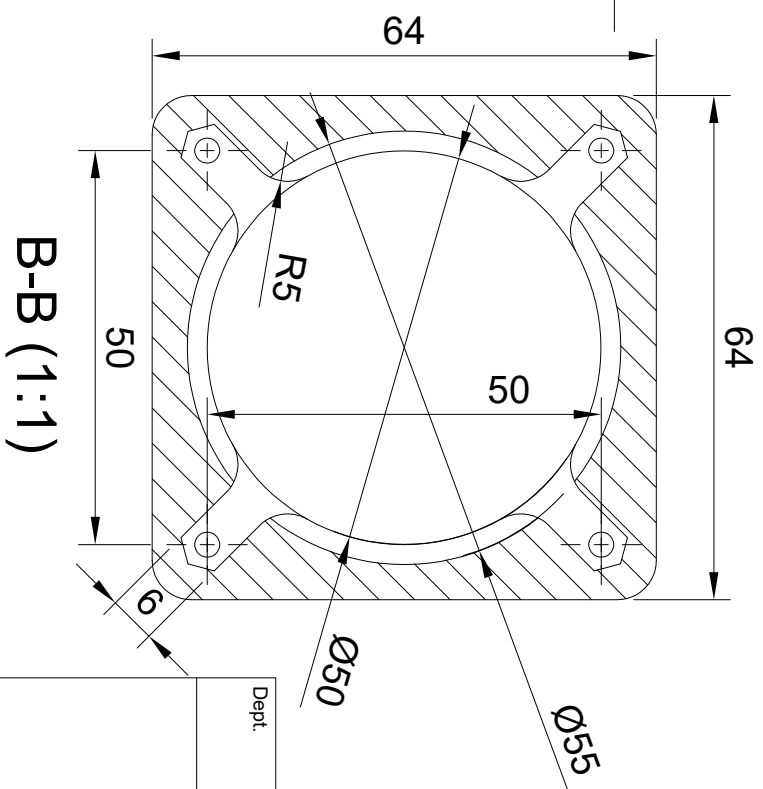
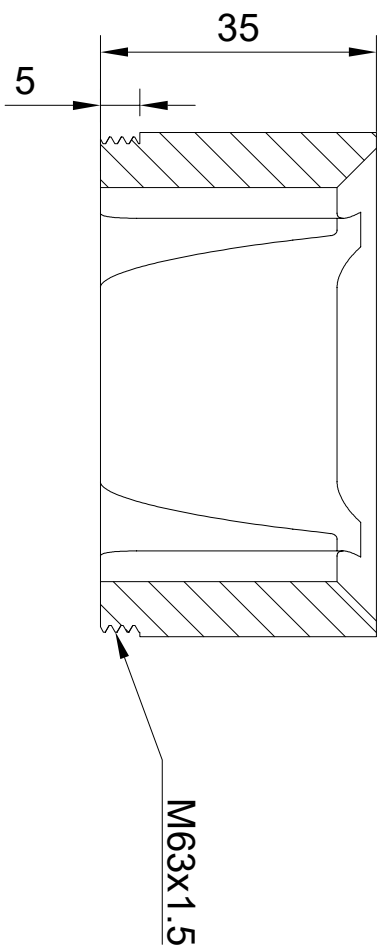
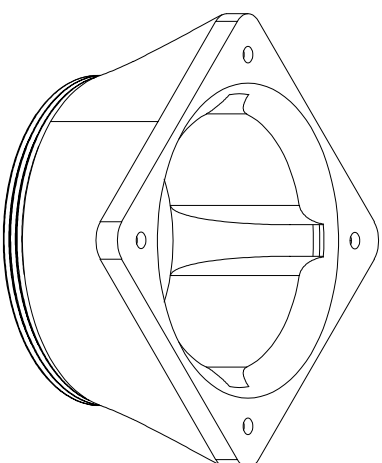


A-A (1:1)



B-B (1:1)



Dept.	Technical reference	Created by	Approved by
		Pistacchio Graphic	
		Document type	Document status
		Fusion 360 #22	Mosquito Trap
		Title	DWG No.
		Base Tread	
Rev.	Date of issue	Sheet	
	21/02/2023	1/1	