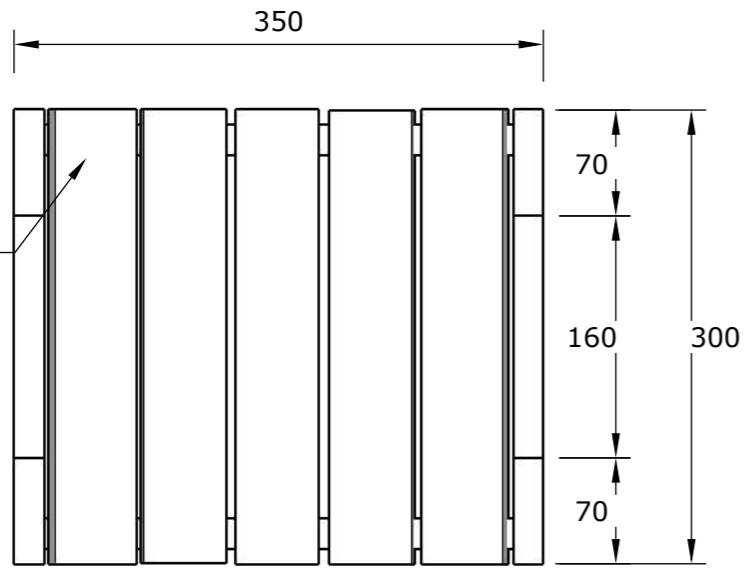
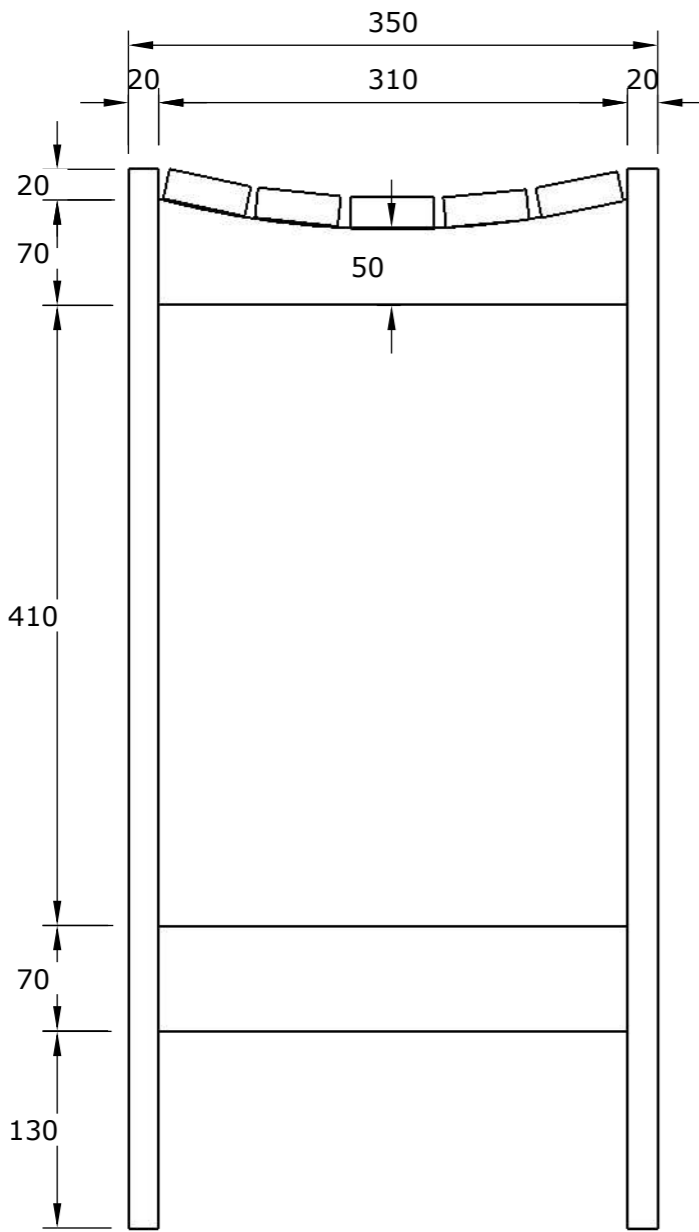


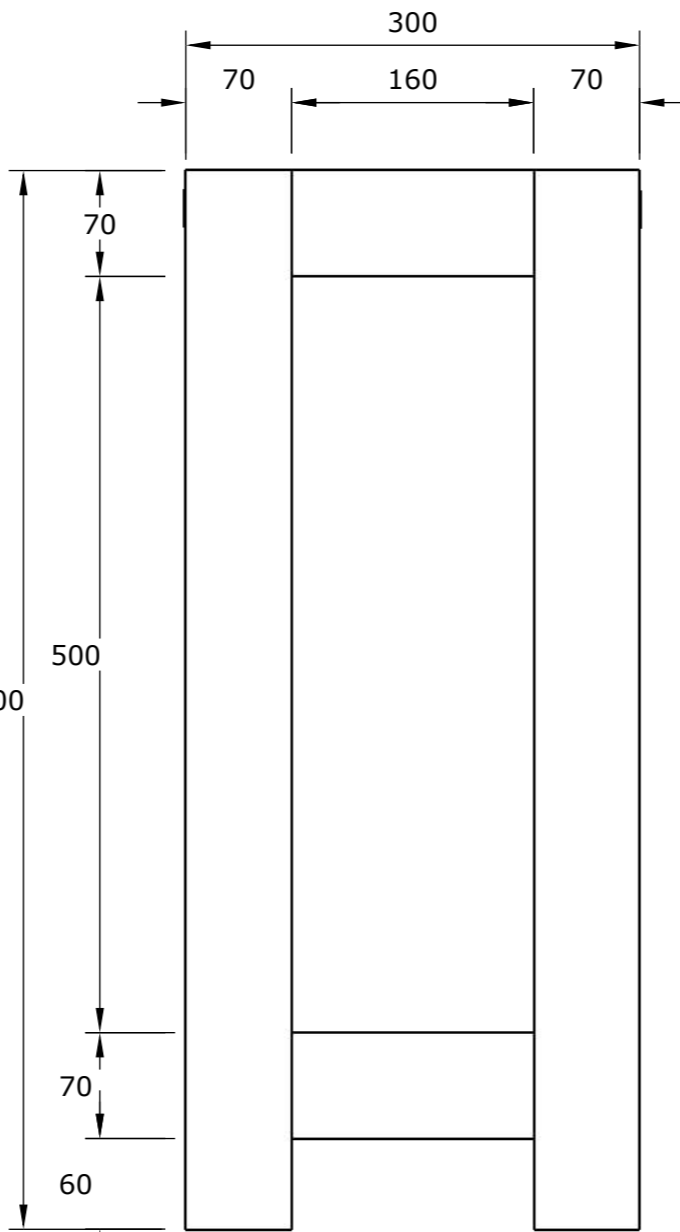
NOTE: PINE SEAT
SLATS 55 X 300 X 20
ATTACHED EVENLY
SPACED ALONG
CURVED RAIL
USING SCREWS
THROUGH CLEAT



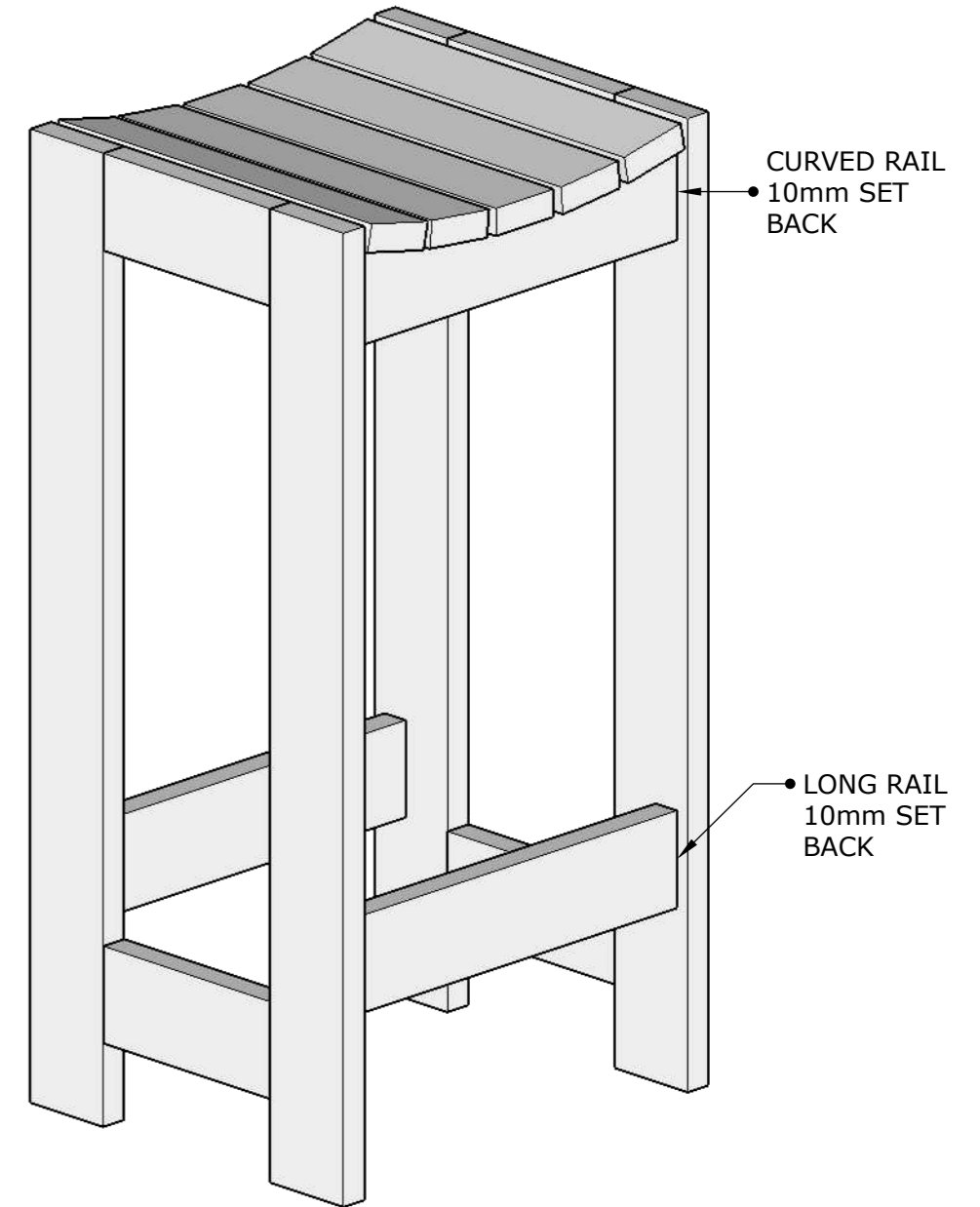
TOP VIEW



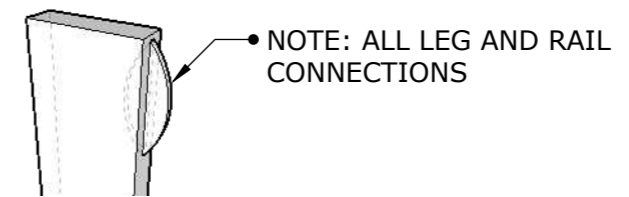
FRONT VIEW



SIDE VIEW



ISOMETRIC VIEW



BISCUIT JOINT DETAILS

DRAWING NAME:
BARSTOOL CURVED SLATTED SEAT

SCALE: 1:5

DRAWN BY:

DATE:08122016

DWG NO.
1 OF 1

A3