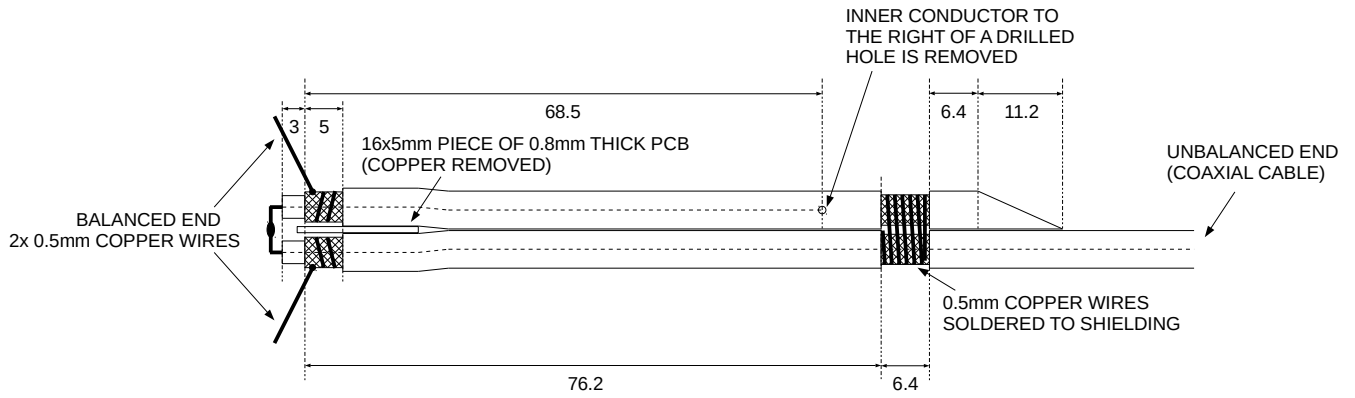


# MY VERSION OF 400 – 1000 MHz ROBERTS BALUN



SCALE 1:1

ALL DIMENSIONS ARE GIVEN IN MM (MILLIMETERS)

IMPEDANCE RATIO OF THIS BALUN IS 1.4 (BALANCED END) TO 1 (UNBALANCED TRANSMISSION LINE).  
IN CASE OF 75Ω COAXIAL CABLE IMPEDANCE AT BALANCED END SHOULD IDEALLY BE 105Ω.