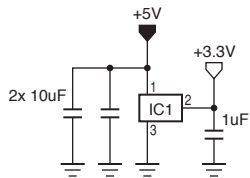
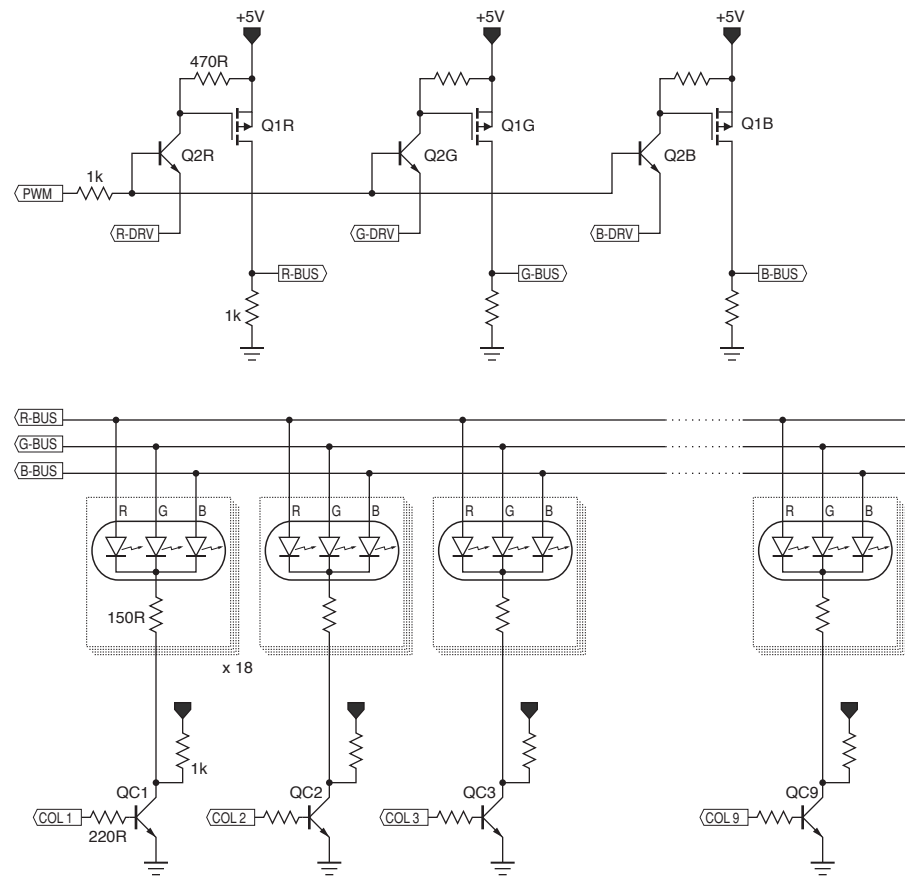
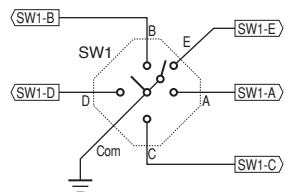


COL1 - 9 are active-high.  
 PWM is active-high.  
 R/G/B-DRV are active-low.



IC1: AP7333-33 (+3.3V)



Q1R, Q1G, Q1B: DMP3098L  
 Q2R, Q2G, Q2B, QC1-9: MMBT2222A

- BOM**
- 162x 150Ohm (0603)
  - 9x 220 Ohm (0603)
  - 13x 1k Ohm (0603)
  - 3x 470 Ohm (0603)
  - 1x 10k Ohm (0603)
  - 2x 10uF (0603)
  - 1x 1uF (0603)
  - 1x AP7333-33
  - 3x DMP3098L
  - 12x MMBT2222A
  - 1x PIC24F08KA101 (or PIC24F04KA201)
  - 1x 4-way Stick Switch Panasonic EVQQ7
  - 162x Tricolor LED (common-cathode)

Title <b>Aurora 9x18 (162 LEDs)</b>			
Date 6/11/2011	Rev. 1G	Sheet 1 of 1	
Designed by Akimitsu Sadoi			