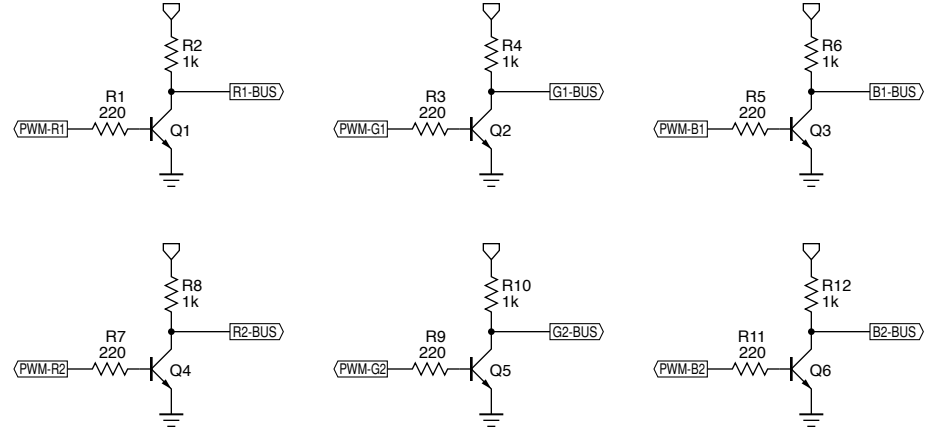
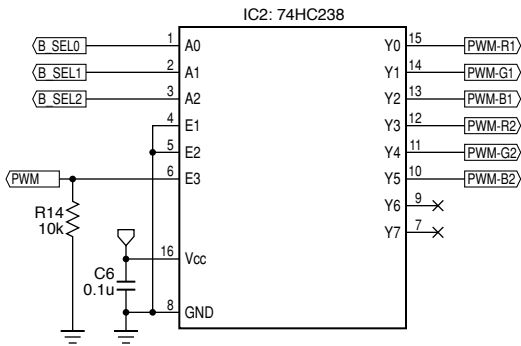
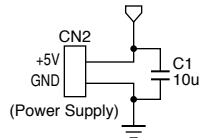
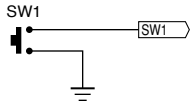
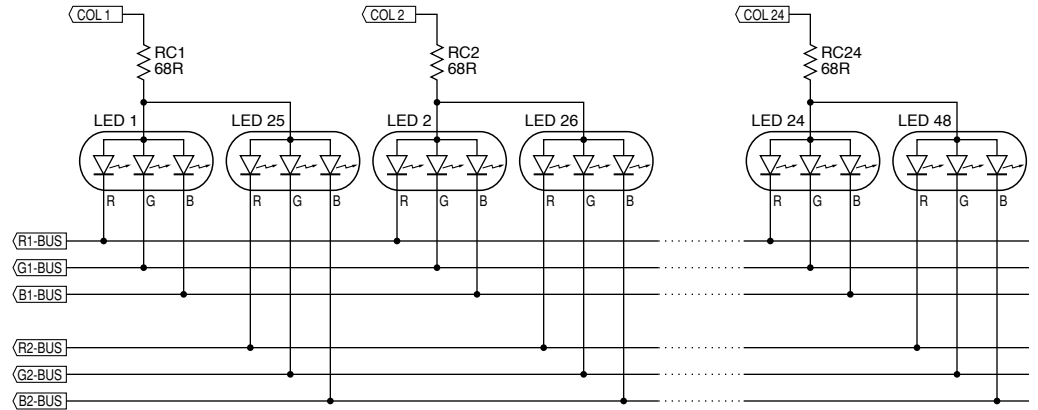


COL 1 - 24 are active-high
PWM is active-high



Q1-6: MMBT2222A



BOM

24x 68 ohm (0603) (RC1-24)
6x 220 ohm (0603) (R1,3,5,7,9,11)
6x 1k ohm (0603) (R2,4,6,8,10,12)
2x 10k ohm (0603) (R13,14)

4x 0.1uF (0603)
2x 10uF (1206)
6x MMBT2222A
1x PIC24FV16KA304
1x 74HC238

48x PLCC4 RGB LED (common-anode)
1x Tactile Switch
1x 2 pin header

Title Aurora 48 (SMD)			
Date 09/01/2012	Rev. 3A	Sheet 1 of 1	
Designed by Akimitsu Sadoi			