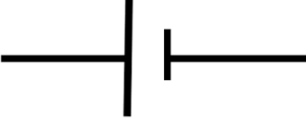




Electrical Component	Symbol
Energy Source	
Conductor	
Electrical load	
Switch	