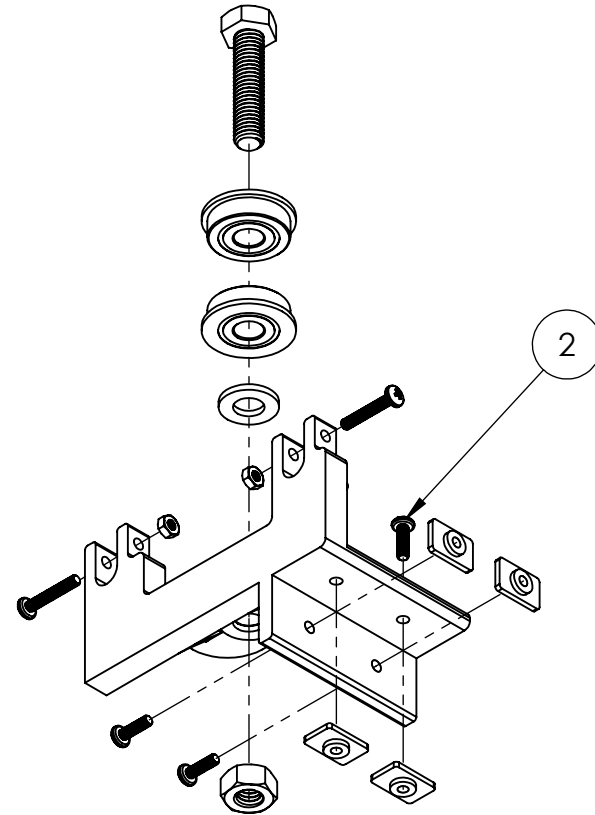
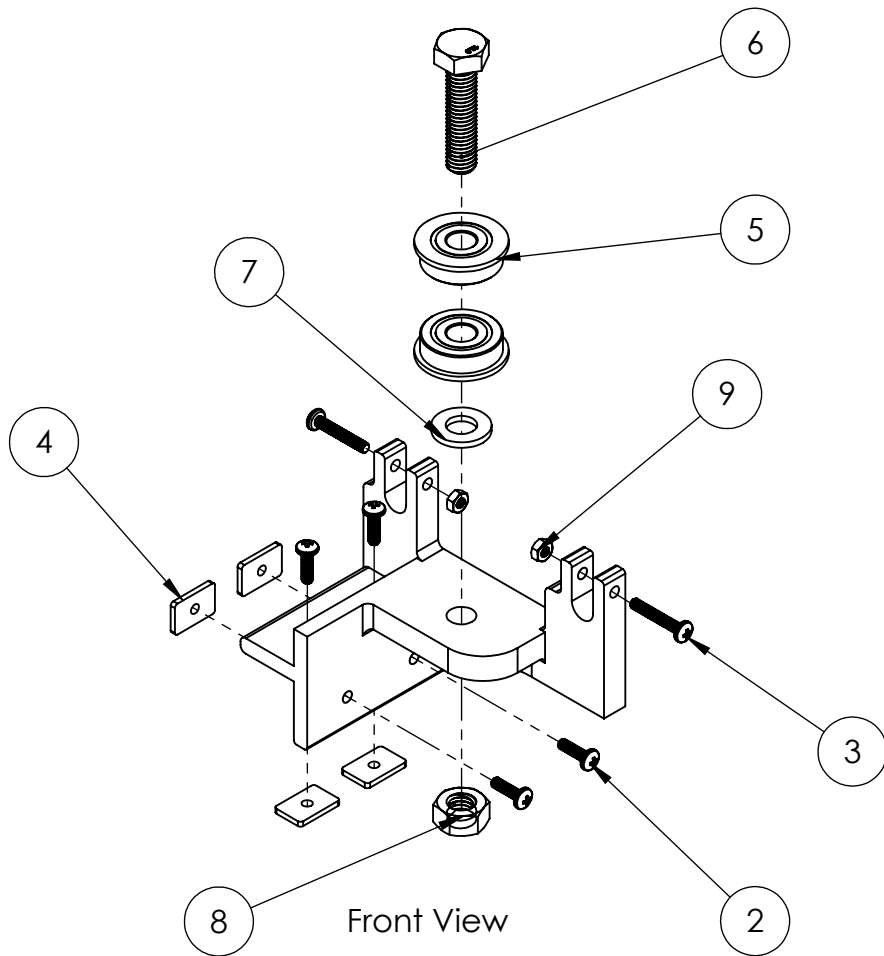


ITEM NO.	PART NUMBER	QTY.
1	Y end idler Aluminum 2020	1
2	M3 Pan Head x 10mm	4
3	M3 Pan Head x 18mm	2
4	Square Nuts	4
5	F608ZZ Flanged Ball Bearing	2
6	M8 x 35mm Cap Screw	1
7	M8 Washer	2
8	M8 Hex Nut	1
9	M3 Hex Nut	2



Back View

COMMENTS:	SIZE A	TITLE: Y_Idler_SubAssy	REV
	SCALE: 1:2		SHEET 1 OF 1