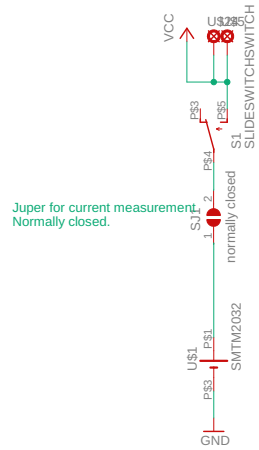
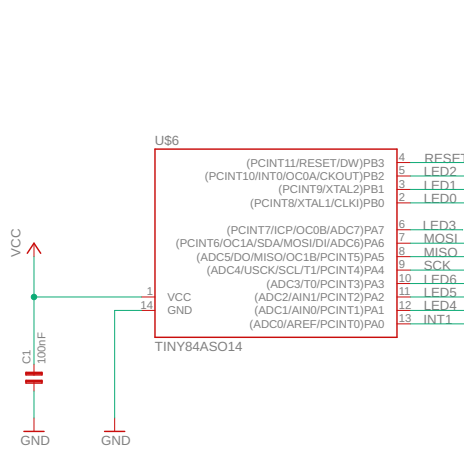


YaSD Yet another smart dice

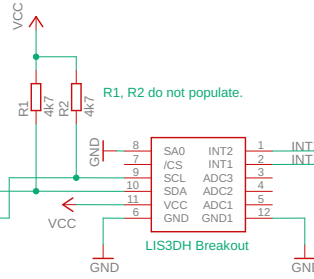
Powersupply



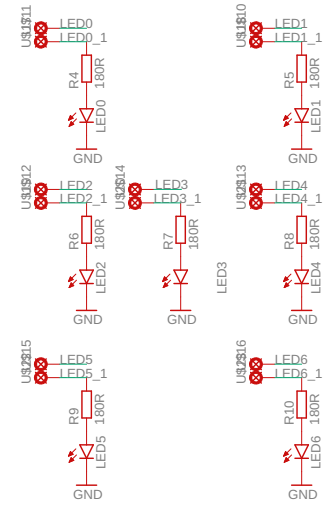
Microcontroller



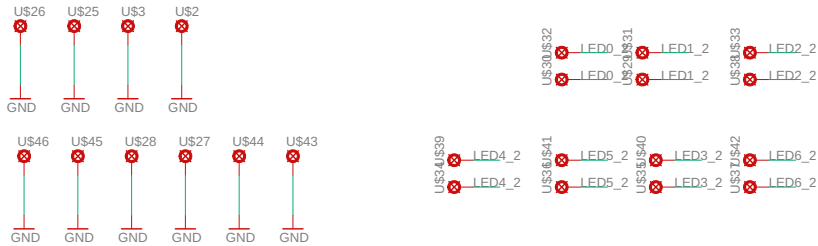
Accelerometer



LED-Array



Pads for pcb connections



Copyright by FR4	
TITLE: YASD_V0.2	
Document Number:	REV:
Date: 20.01.2019 07:57	Sheet: 1/1