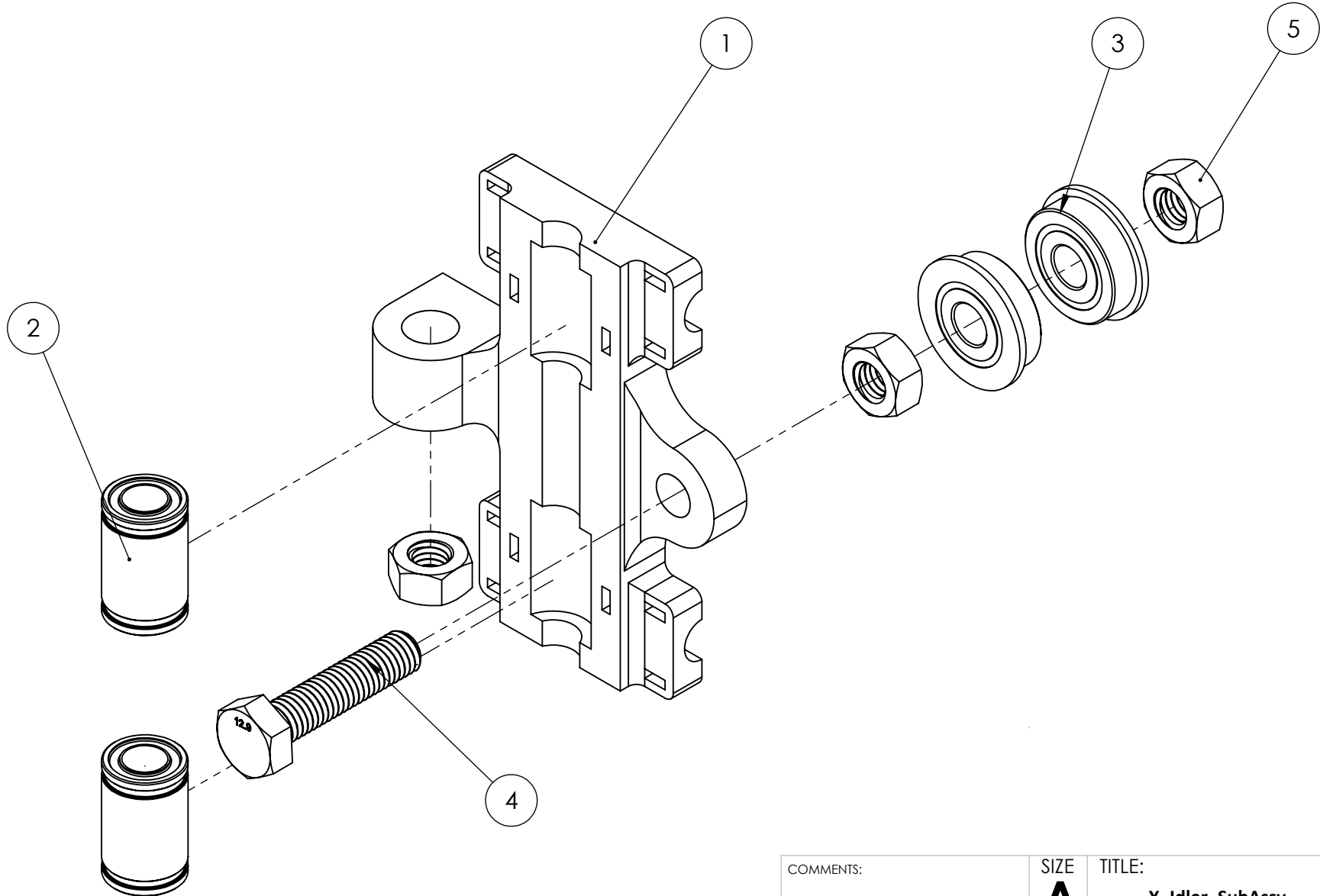


ITEM NO.	PART NUMBER	QTY.
1	X End Idler	1
2	LM8UU_24mm	2
3	F608ZZ Flanged Ball Bearing	2
4	M8 x 35mm Cap Screw	1
5	M8 Hex Nut	3



COMMENTS:

SIZE
A

TITLE:
X_Idler_SubAssy

REV

SCALE: 1:1

SHEET 1 OF 1

5

4

3

2

1