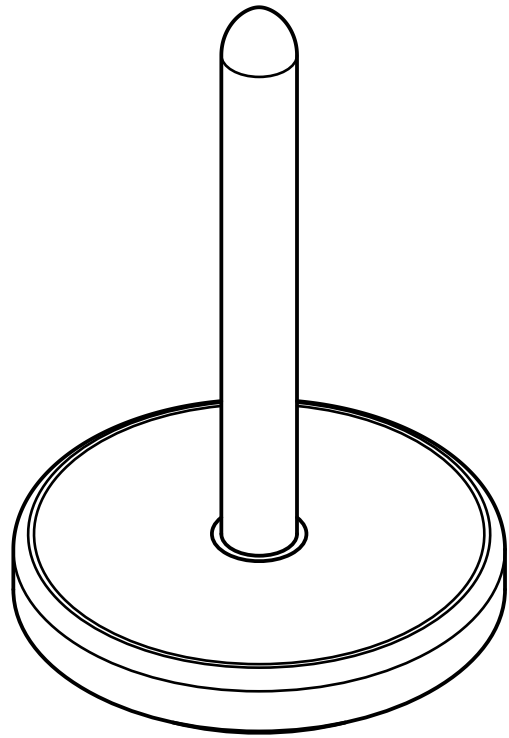
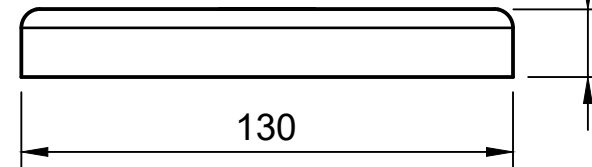
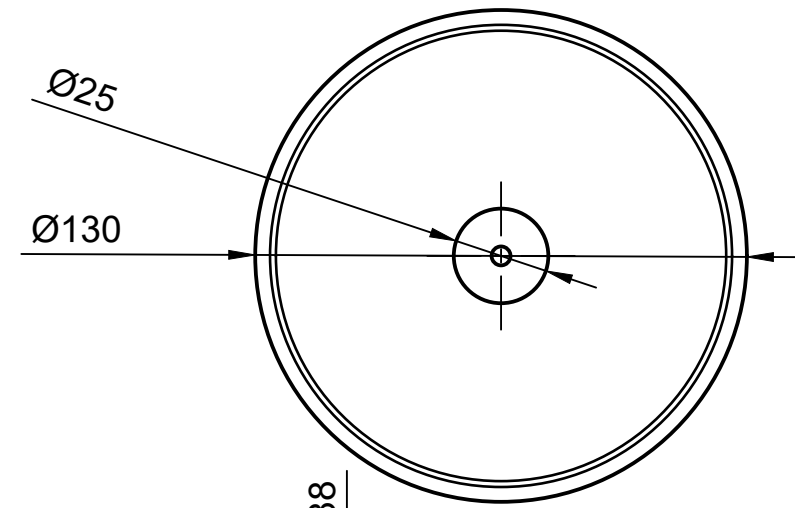
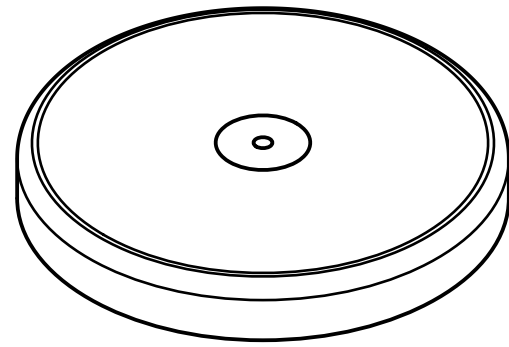


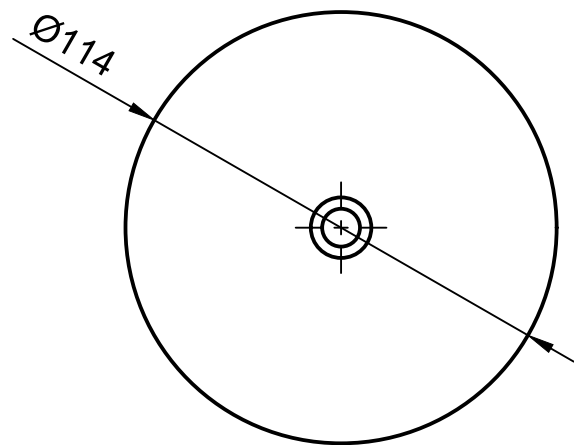
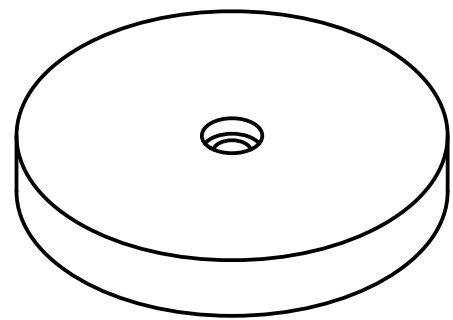
The Wool-Dispender



upper-Body:

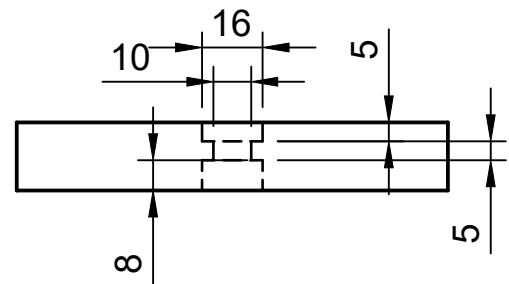
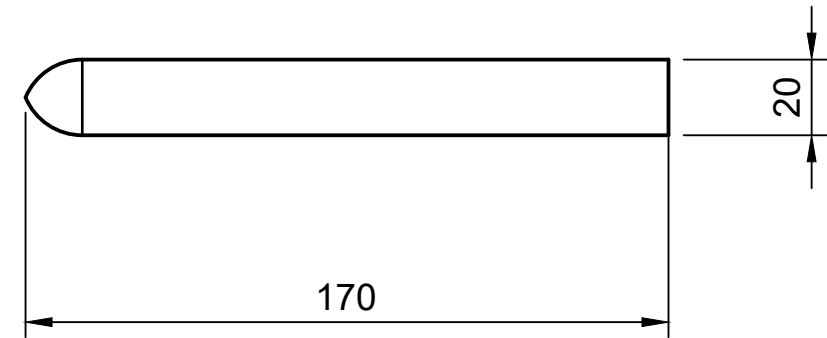


lower-Body:



wooden-Stick:

Diameter:  
20mm



Dept.	Technical reference	Created by <b>Vulcaman</b>	26.03.2018	Approved by
		Document type	Document status	
		Title <b>Knit Like a Pro: the Wool Dispenser</b>	DWG No.	
Rev.	Date of issue	Sheet	1/1	