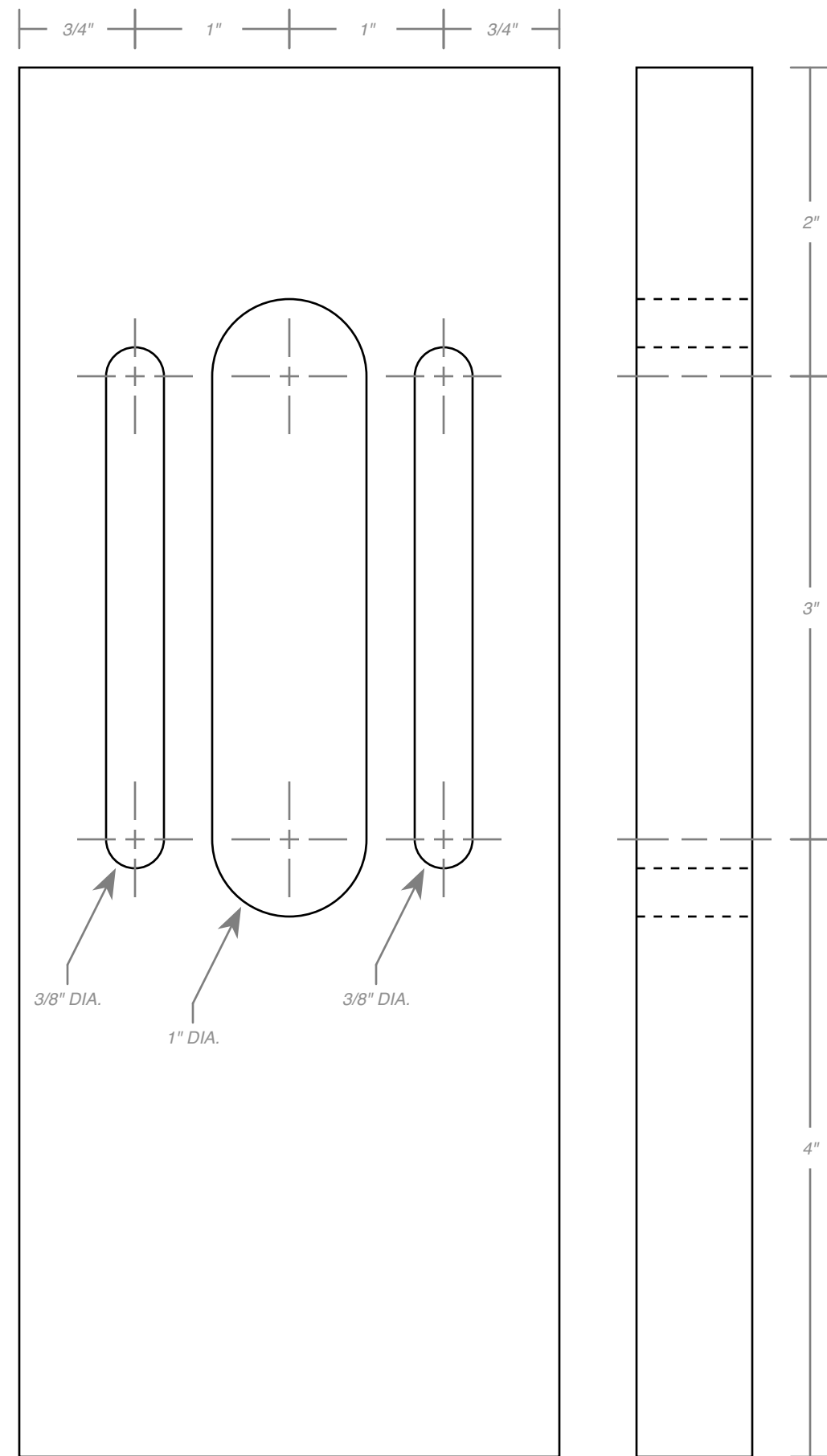
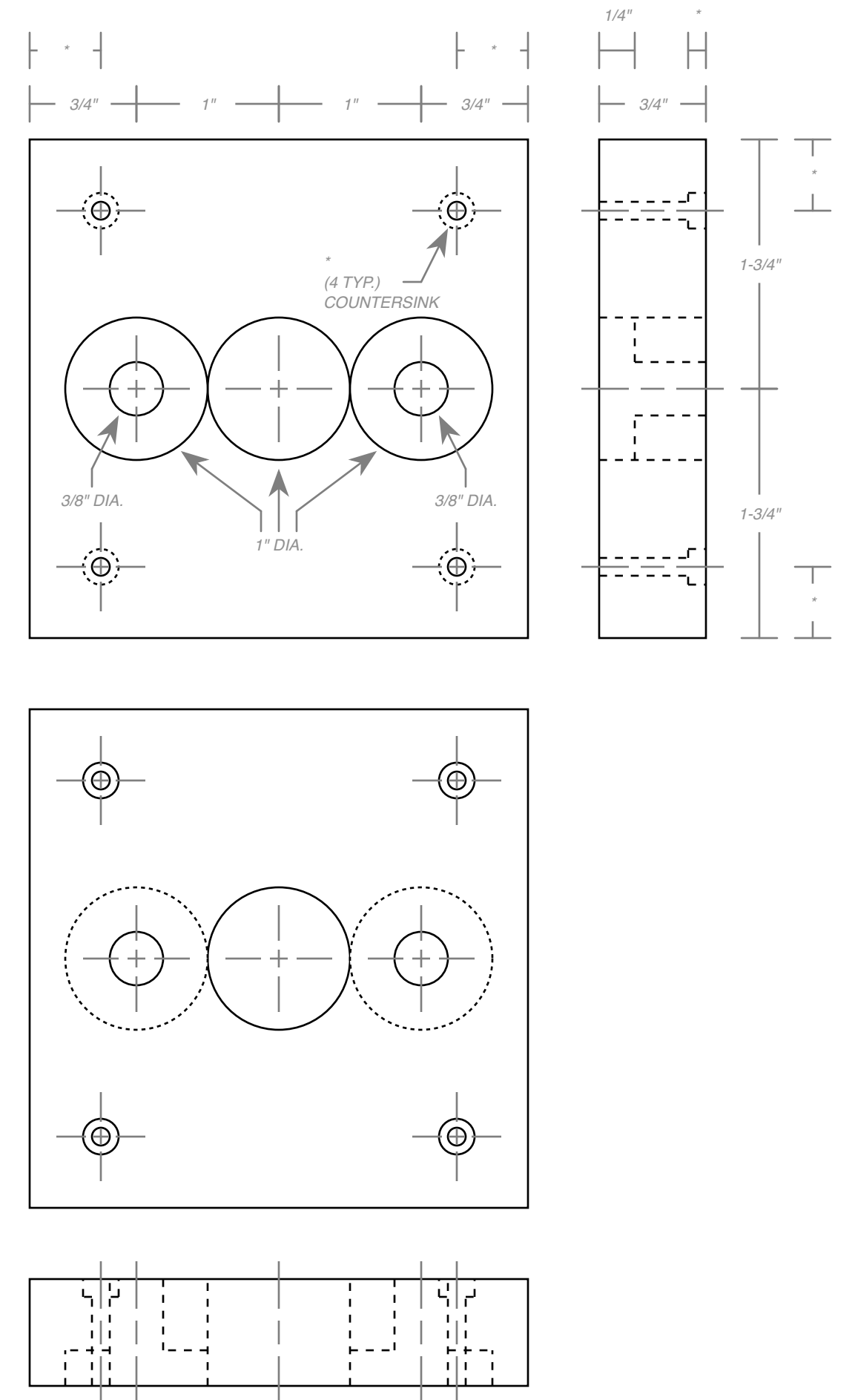


UPRIGHT BRACES (2)

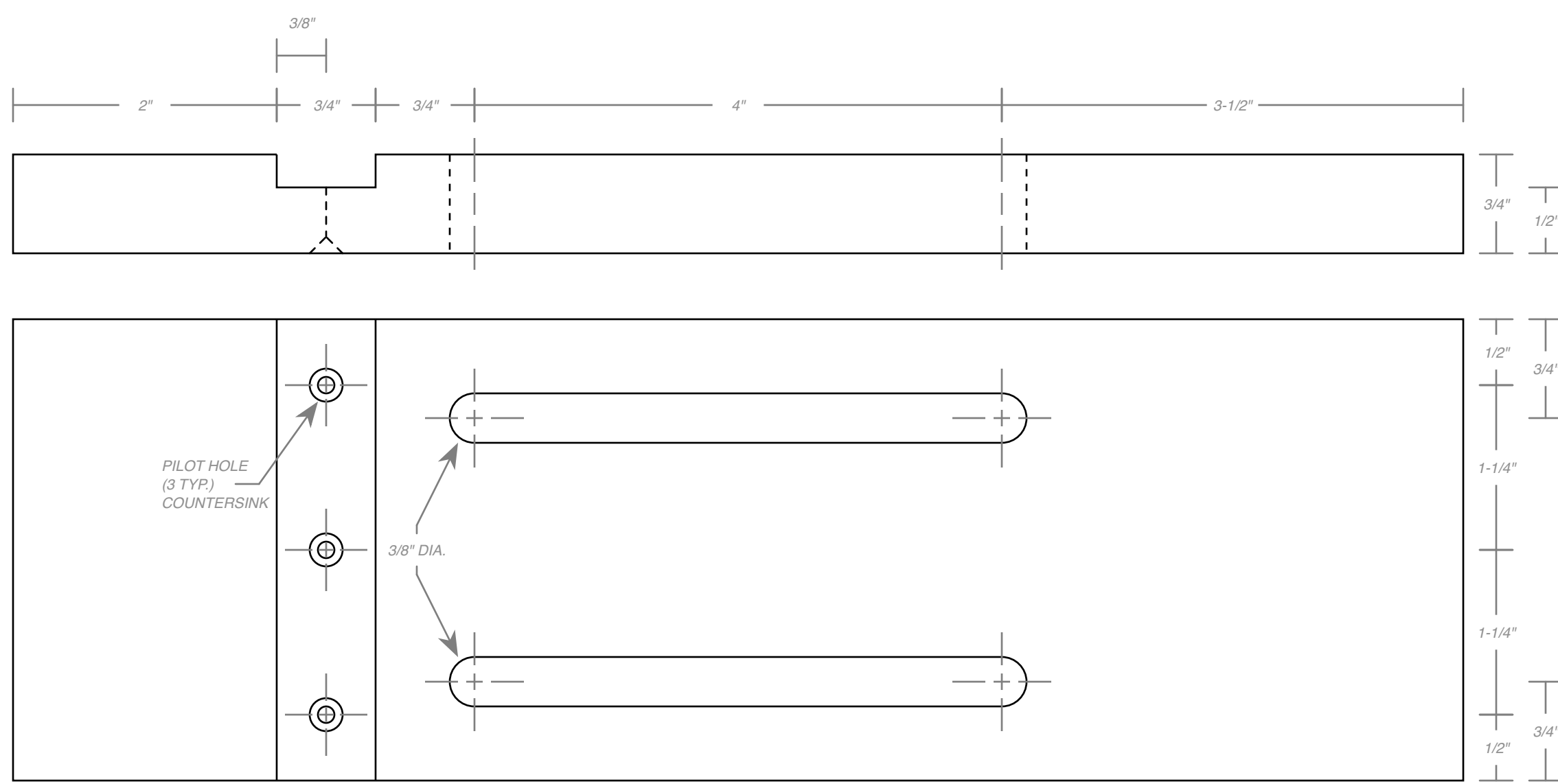


UPRIGHT

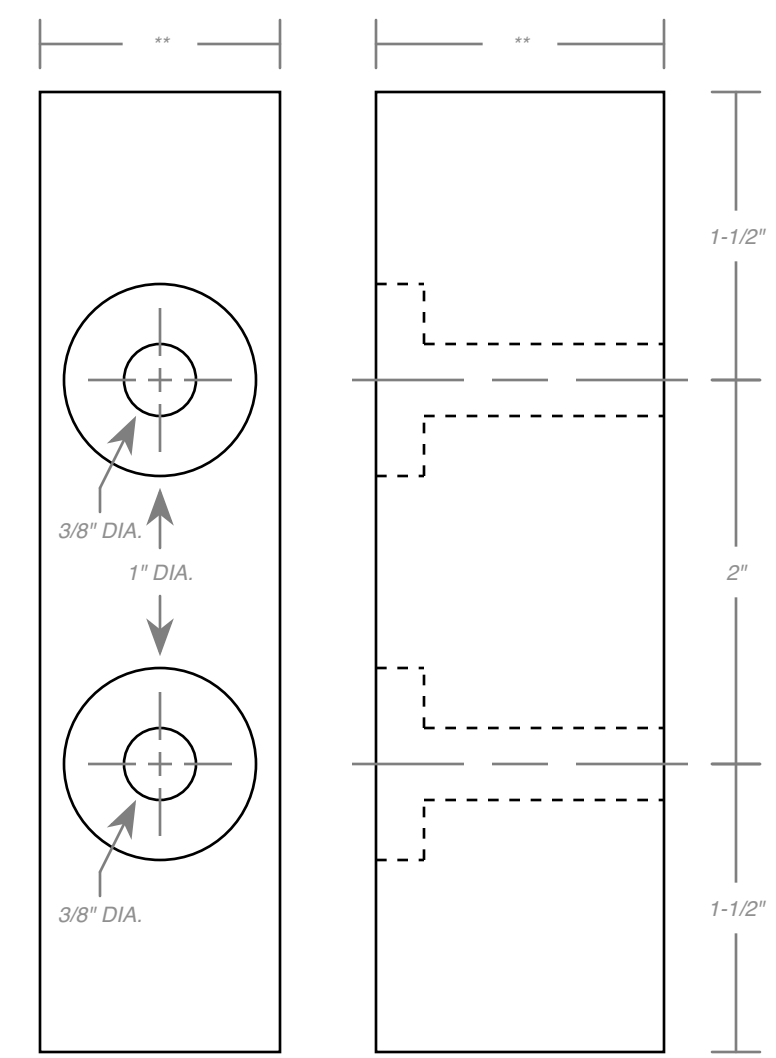


MOUNT

* LOCATION, PILOT DIAMETER, AND COUNTER SINK WILL BE BASED ON TRIM ROUTER USED AND CENTERED ON THE MOUNT.

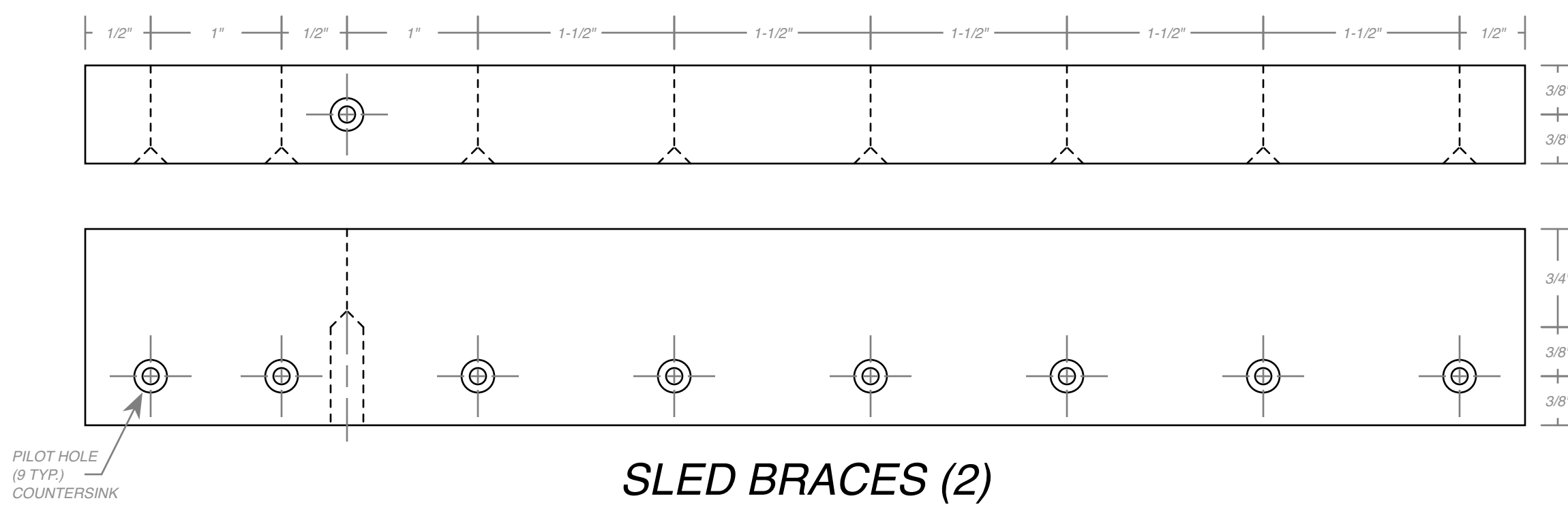


SLED



RAIL GUIDE

** DIMENSIONS WILL BE BASED ON LATHE BED GAP AND BRACE DEPTH.



SLED BRACES (2)