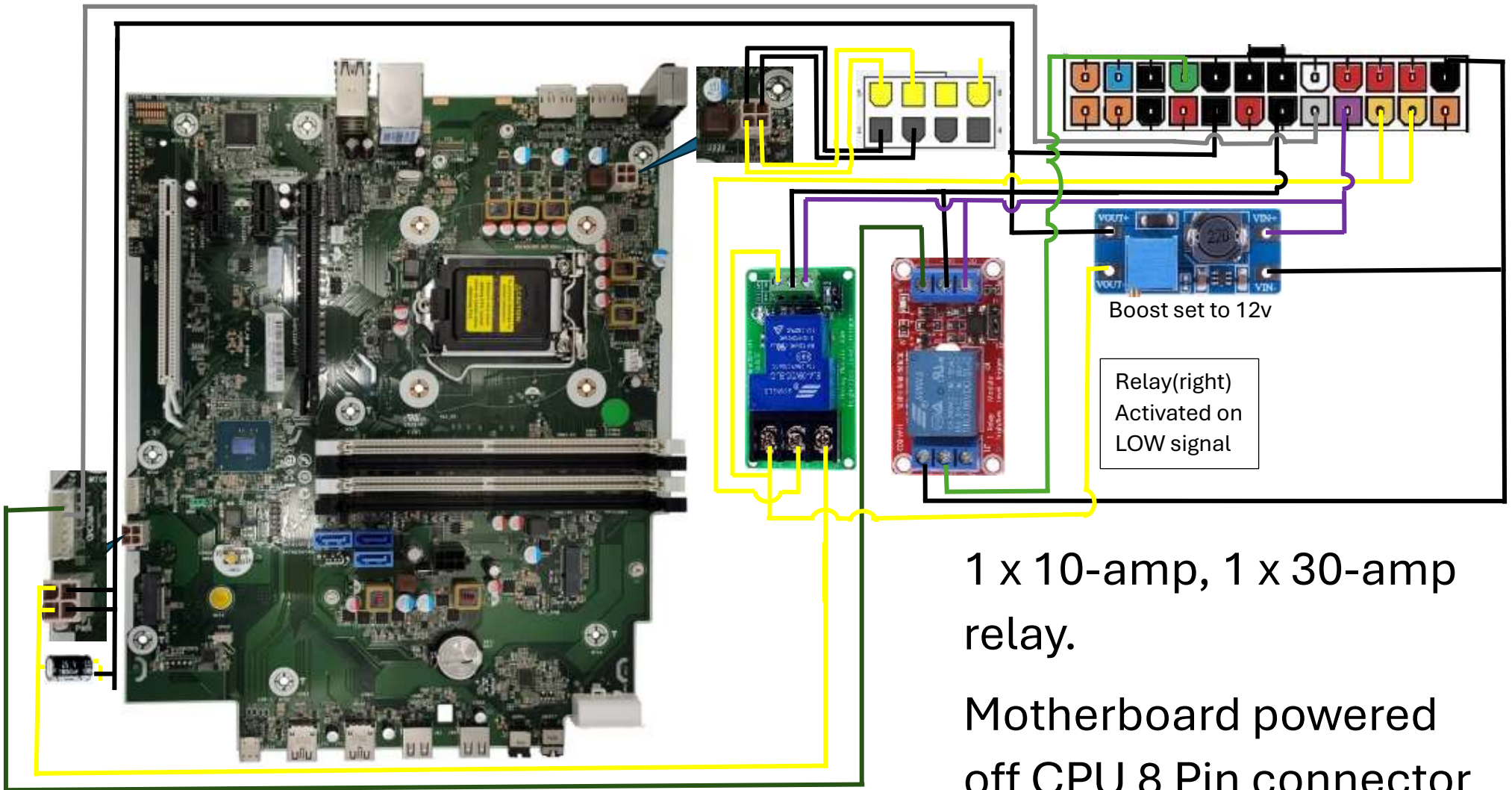
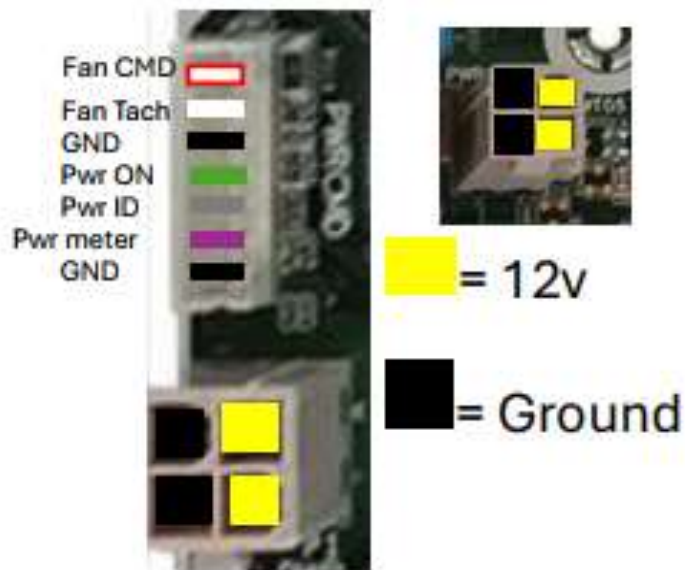


10-amp relays.

Motherboard powered off CPU 8 Pin connector





PWR_ON of HP Motherboard is 3.3v -4.0 v when motherboard is OFF. 0v when board is powered ON.

PWR_ID of HP Motherboard connects to PWR_OK of ATX PSU.

Any 12v lines from the ATX PSU can be used. Recommended to use the 24 pin connector 12v wires, or the other half of the 8 Pin (4+4) CPU connector.

Some ATX PSU's have a low amperage on the 5v VSB line. Look for 2 amps minimum.

