

1 2 3 4 5 6

A

A

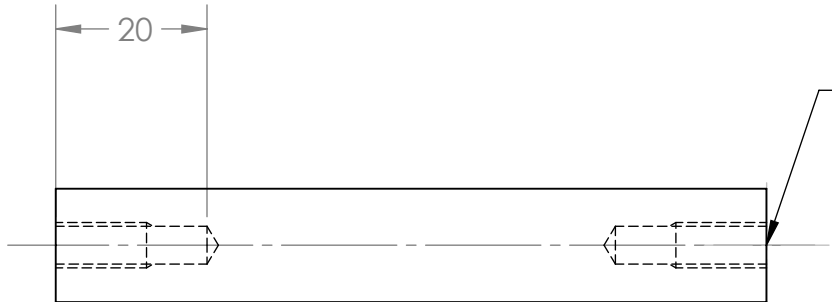
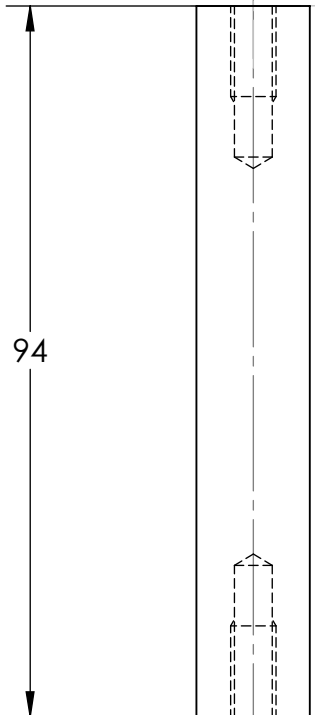
B

B

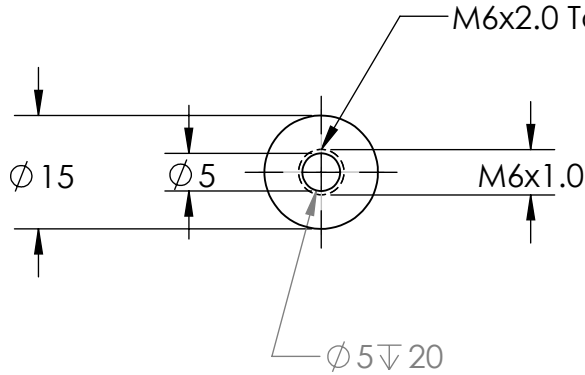
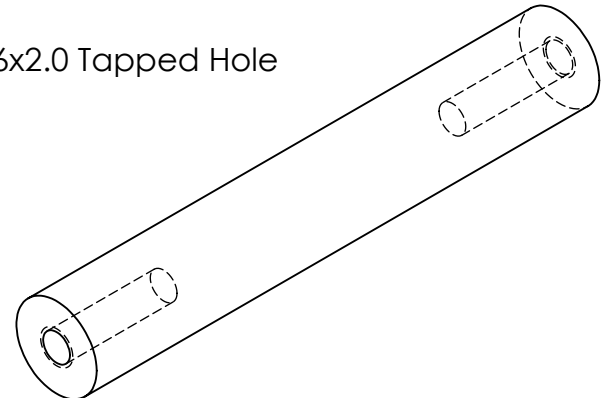
C

C

D



M6x2.0 Tapped Hole



M6x2.0 Tapped Hole

$\phi 5 \nabla 20$

UNLESS OTHERWISE SPECIFIED:
 DIMENSIONS ARE IN MILLIMETERS
 SURFACE FINISH:
 TOLERANCES:
 LINEAR:
 ANGULAR:

FINISH:

 DEBUR AND
 BREAK SHARP
 EDGES

DO NOT SCALE DRAWING

REVISION

	NAME	SIGNATURE	DATE		
DRAWN					
CHK'D					
APPV'D					
MFG					
Q.A				MATERIAL:	
				WEIGHT:	

TITLE:	
DWG NO.	Width Skelton
SCALE:1:1	SHEET 1 OF 1

A4