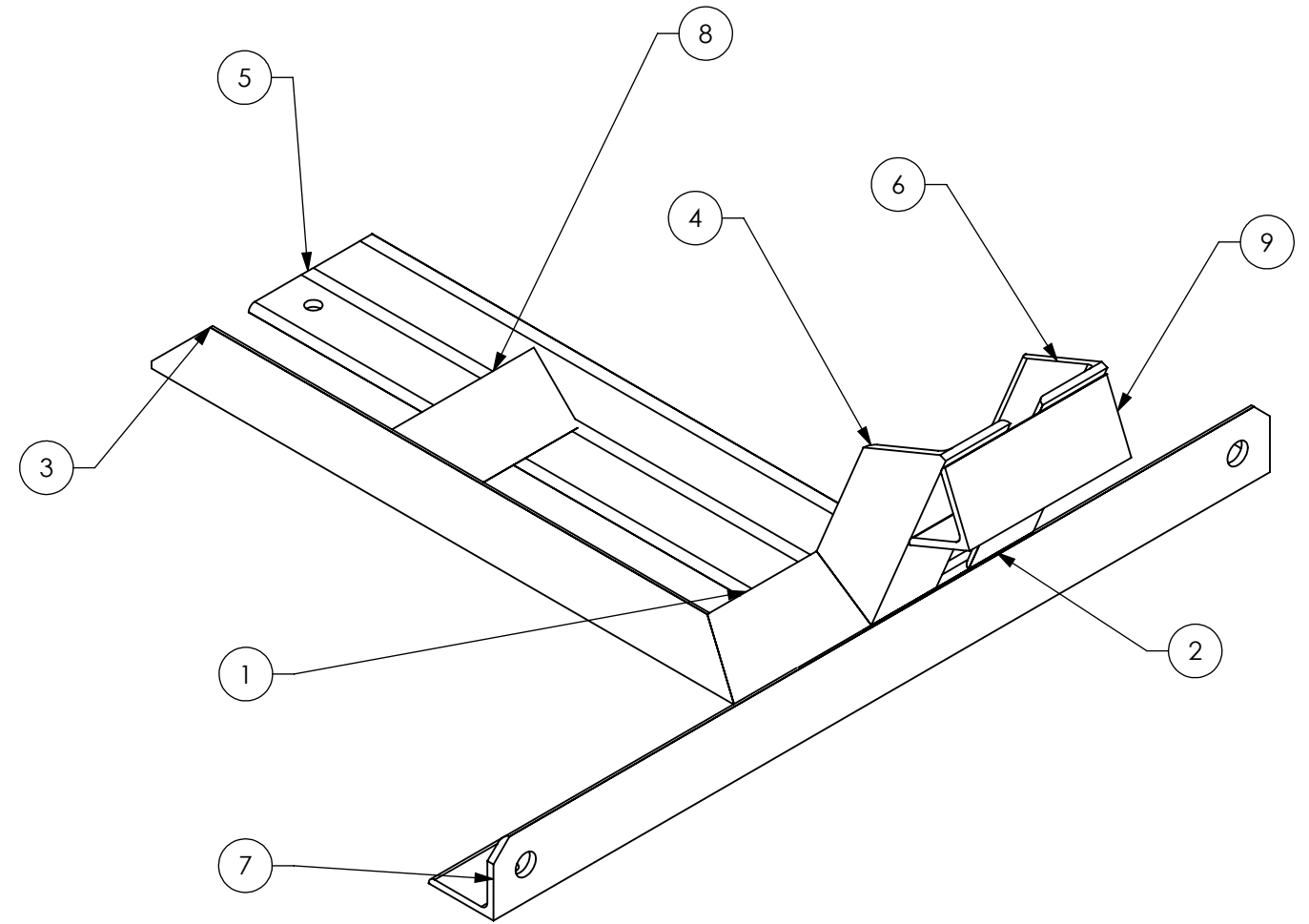
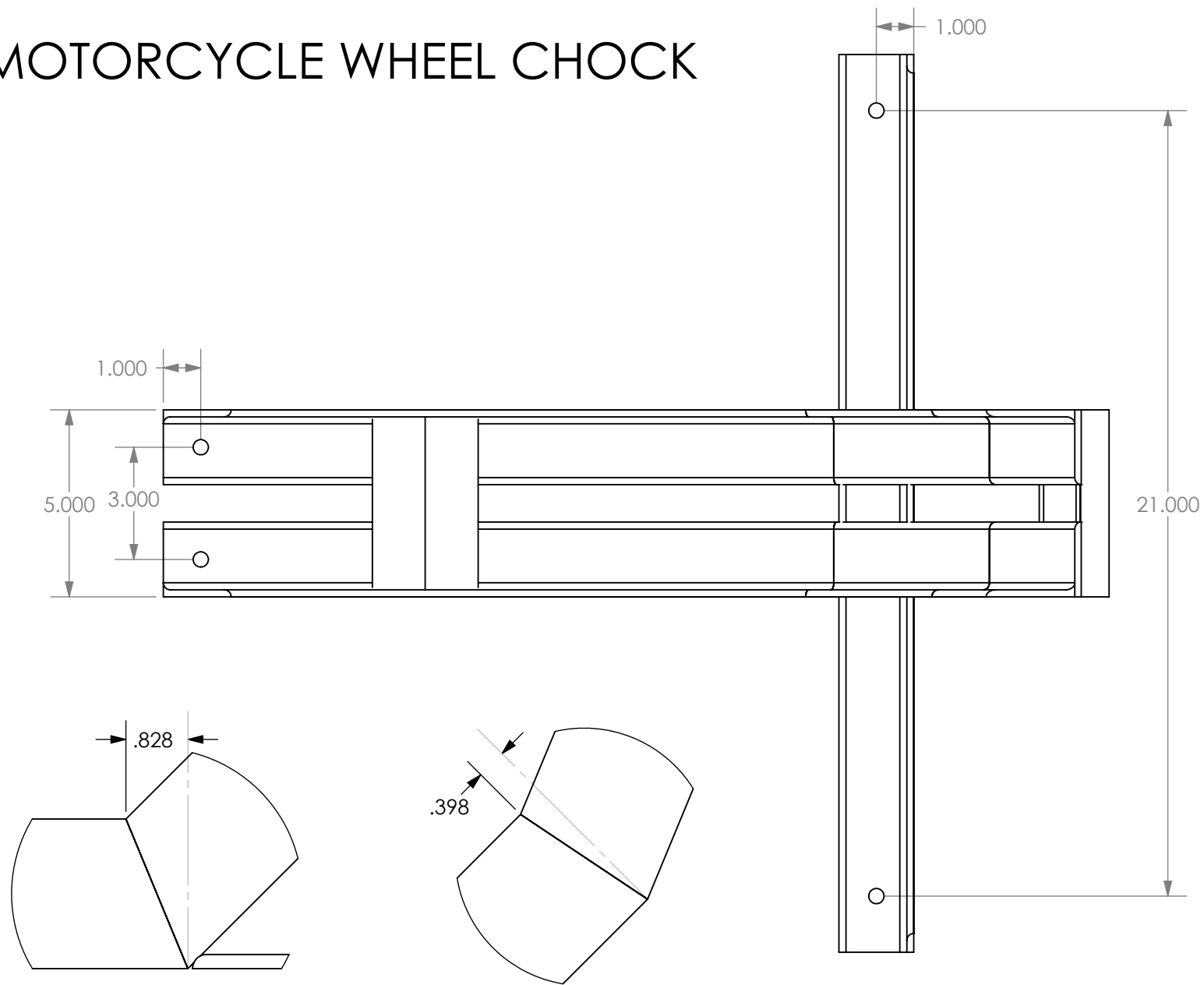
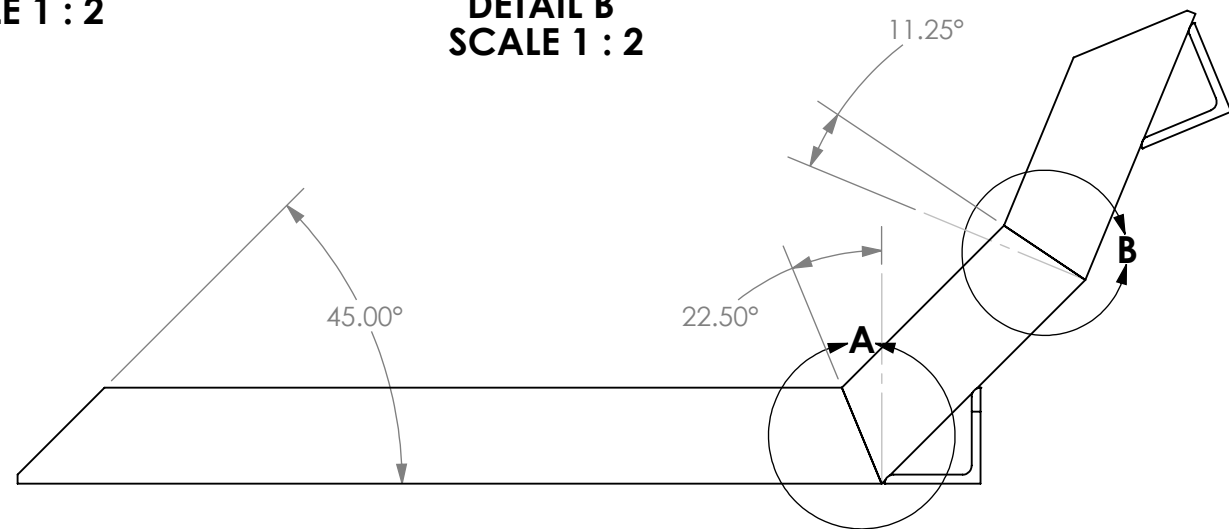


MOTORCYCLE WHEEL CHOCK



DETAIL A
SCALE 1 : 2

DETAIL B
SCALE 1 : 2



Licensed Under Creative Commons:
Attribution-NonCommercial-ShareAlike 3.0 Unported (CC BY-NC-SA 3.0)
<http://creativecommons.org/licenses/by-nc-sa/3.0/>

by Eric Morrison
E.W.Morrison[at]verizon.net



ITEM NO.	QTY.	DESCRIPTION	LENGTH
1	1	L 2.00 X 2.00 X .188	6
2	1	L 2.00 X 2.00 X .188	6
3	1	L 2.00 X 2.00 X .188	18
4	1	L 2.00 X 2.00 X .188	6
5	1	L 2.00 X 2.00 X .188	18
6	1	L 2.00 X 2.00 X .188	6
7	1	L 2.00 X 2.00 X .188	24
8	1	L 2.00 X 2.00 X .188	4.625
9	1	L 2.00 X 2.00 X .188	5
Total:			93.75" = 7' 9.75"